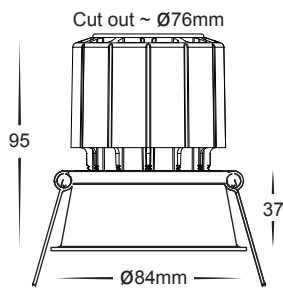
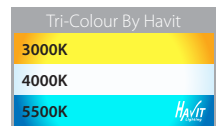
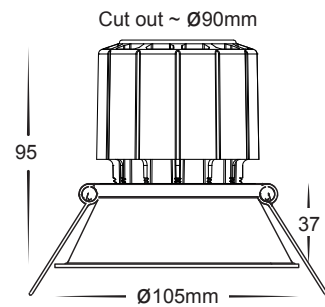


HV5513T-BLK



HV5514T-BLK



| IMAGE | PART NUMBER | CUT OUT | COLOUR TEMP | LUMENS | INPUT | INCLUDED LED |
|-------|-------------|---------|-------------------------|-------------------------|-------|---------------------------------------|
| | HV5513T-BLK | 76mm | 3000K 4000K 5500K | 839lm 913lm 841lm | 240v | Tri-Colour Built-in 12w LED |
| IMAGE | PART NUMBER | CUT OUT | COLOUR TEMP | LUMENS | INPUT | INCLUDED LED |
| | HV5514T-BLK | 90mm | 3000K 4000K 5500K | 839lm 913lm 841lm | 240v | Tri-Colour Built-in 12w LED |

All low voltage products that specify an input of 12v or 24v DC must be used with a suitable LED driver, refer to pages 315 - 324
Lumen output measured at source. All globes supplied with fittings are non dimmable. If you require 240v dimmable globes refer to page 418 & 420