

### HYDRO

December 6, 2021 3:33 PM

Variant	Item No.	Description
66012	HYDRO-60	10W-20W LED, weatherproof batten. Multicolour temperature
66017	HYDRO-120	20W-40W LED, weatherproof batten. Multicolour temperature

Thank you for purchasing your new LED HYDRO Batten, Please take the time to read and understand the instruction sheet below. Failure to do so may void warranty.

### Specifications

HYDRO-60		HYDRO-120	
Power:	Lumen ( $\pm 5\%$ ):	Power:	Lumen ( $\pm 5\%$ ):
10W-20W	Warm White 3000K - 1951lm Neutral White 4000K - 2195lm White 5500K - 2129lm	20W-40W	Warm White 3000K - 3867lm Neutral White 4000K - 4362lm White 5500K - 4212lm

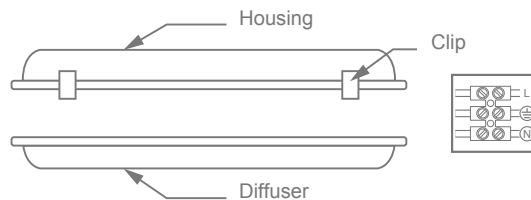
### Common Specifications

Voltage:	240V	Beam Angle:	120°	Dimmable:	No
IP Rating:	IP65	CCT:	3000K - 4000K - 5500K	CRI:	$\geq 82$
IK Rating:	10	Lifespan:	50,000hrs		

1. Disconnect mains supply before installation or removing cover.

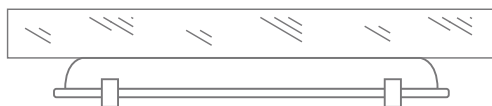


2. Undo the clips and remove diffuser and reflector, connect the L,E,N via the terminal block.



### Surface Mounted

3. Install the body to ceiling.

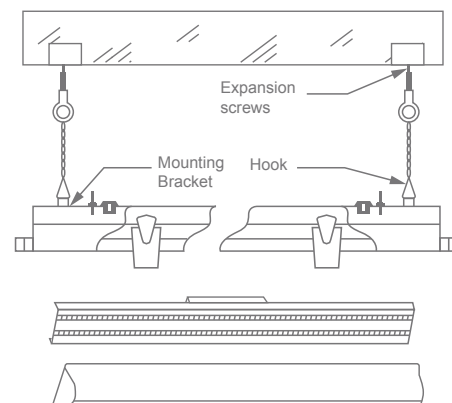


4. Install reflector, replace diffuser and push clips inwards to secure..



### Suspended Mounted

3. Connect the chain to the expansion screws and mounting brackets. Drill holes on to ceiling and install expansion screws, connect to chain.



**Note:** -The lamp must be installed by professional electrician  
-Ensure the power supply is switched off before fitting this product

-Do not touch the lamp when in use  
-Keep away from hot steam and corrosive gas