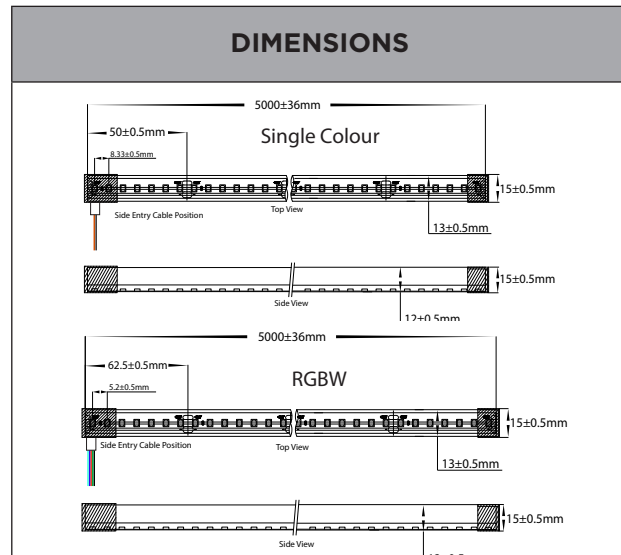


HAVIFLEX INSTALLATION INSTRUCTIONS

PRODUCT CODES	COLOUR TEMP.
HV9796-IP67-200-3K	3000K
HV9796-IP67-200-4K	4000K
HV9796-IP67-200-5K	5500K
HV9796-IP67-200-RGBW	RGB+3000K



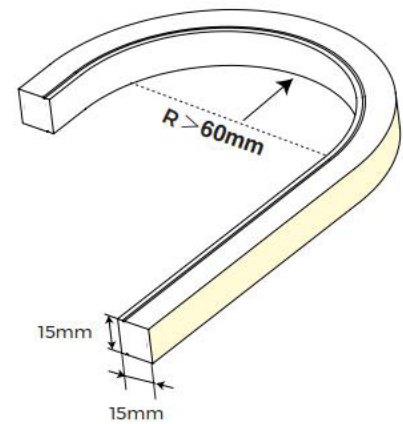
Please read the instructions carefully before installation and application and use the product in the correct way.

Instructions on accessories are included in these instructions.

Please properly maintain these instructions after reading and understanding it for convenient reference by all users of the product in the future.

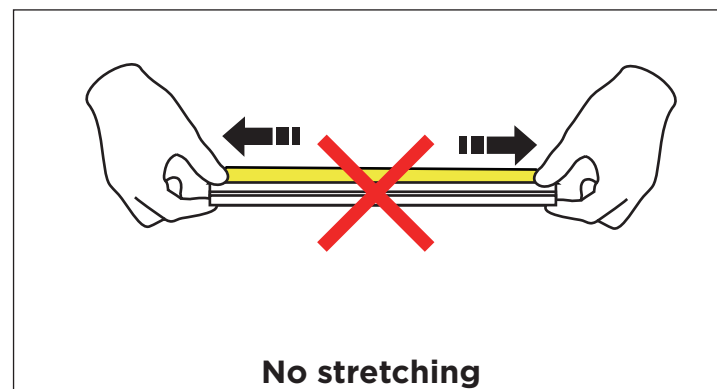
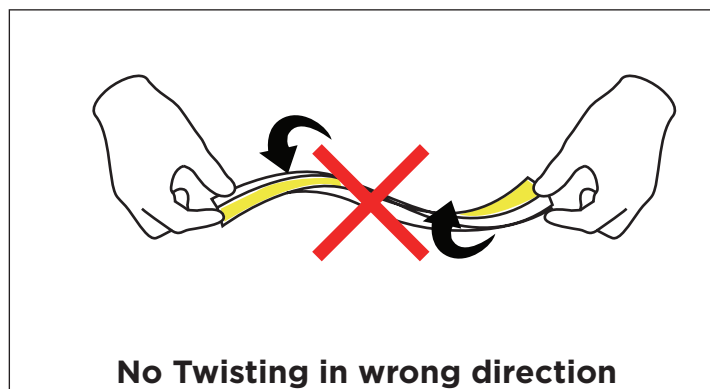
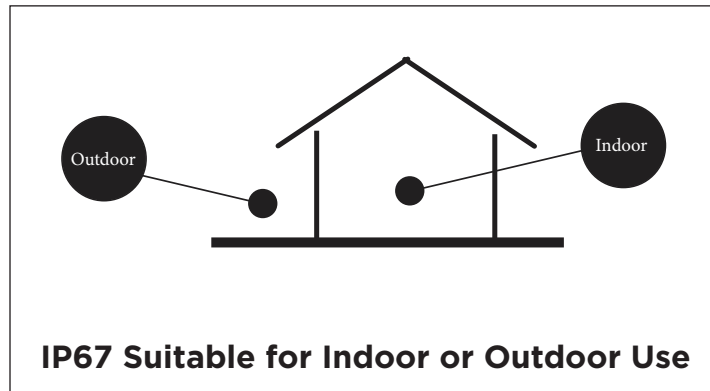
Before installation make sure all components are working including the HAVIFLEX and LED Driver.

Connect these while uninstalled, If there is any product that is not working correctly, Please contact shop where items were purchased from to work out next steps. Do not continue to install the product.

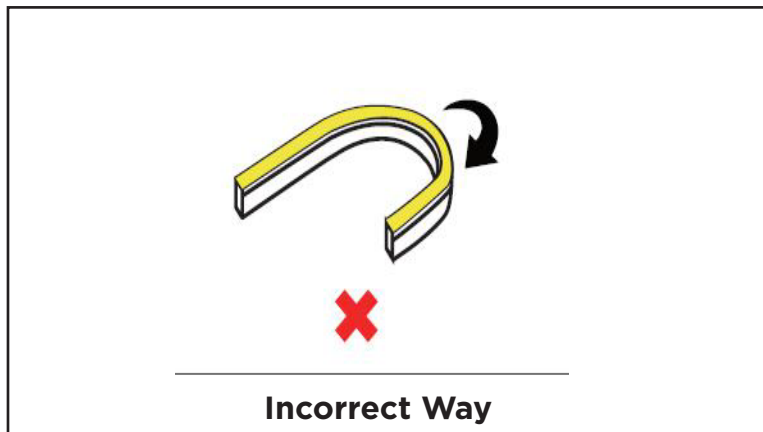
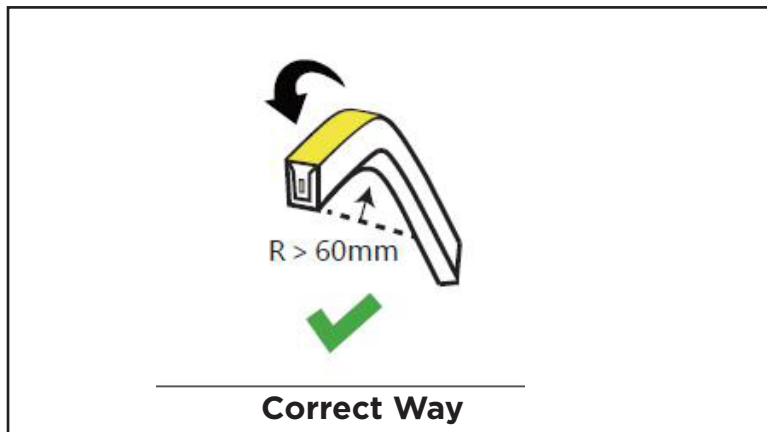


Top Bend Only

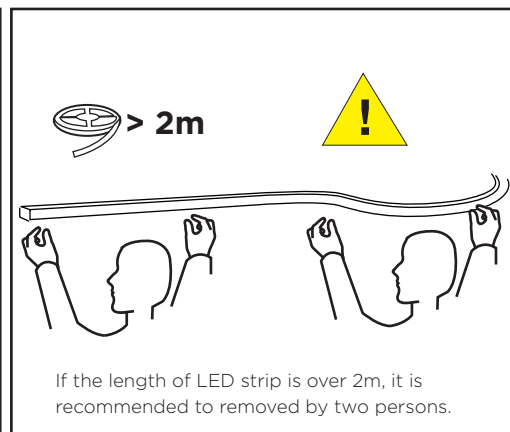
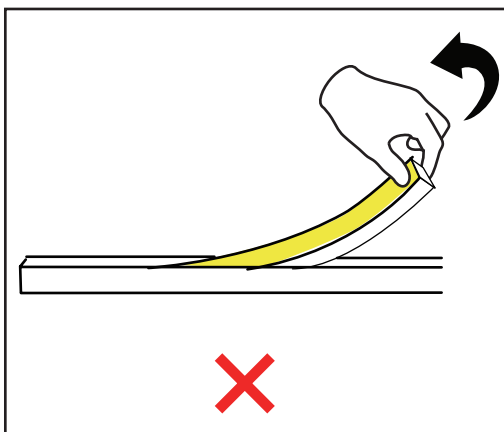
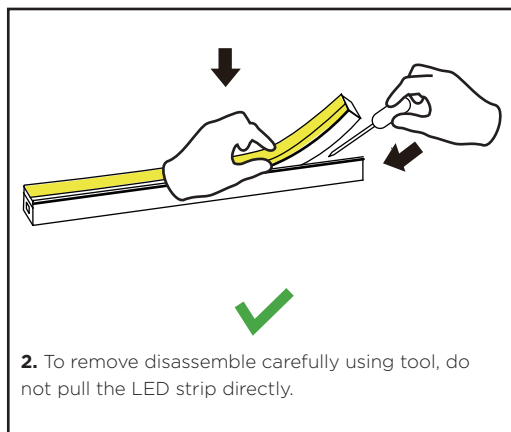
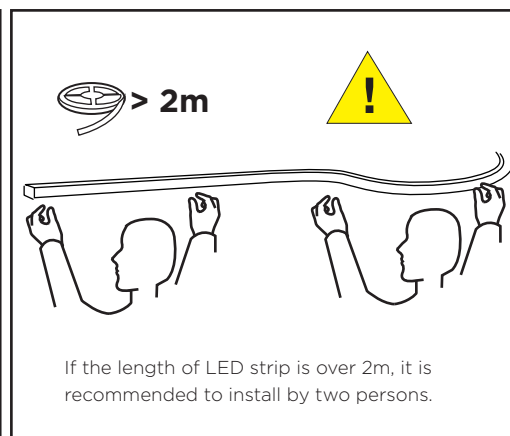
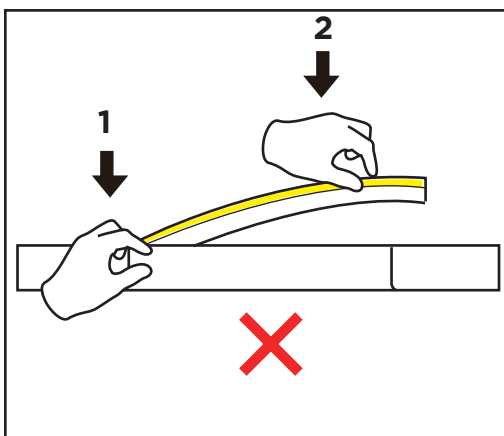
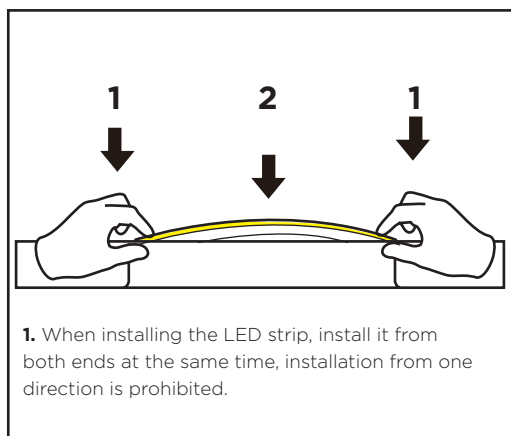
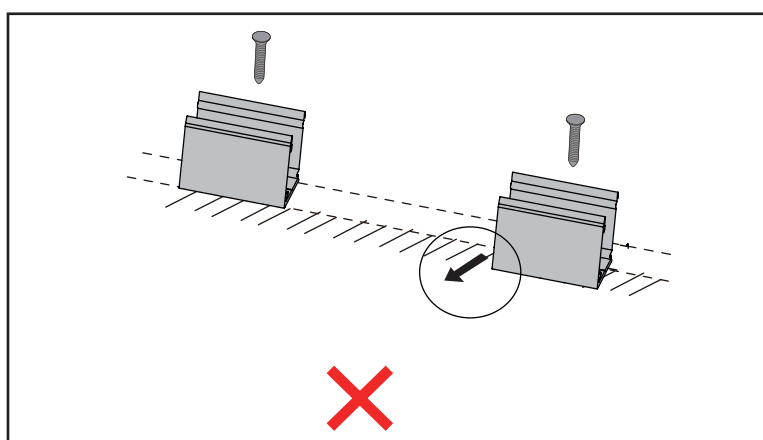
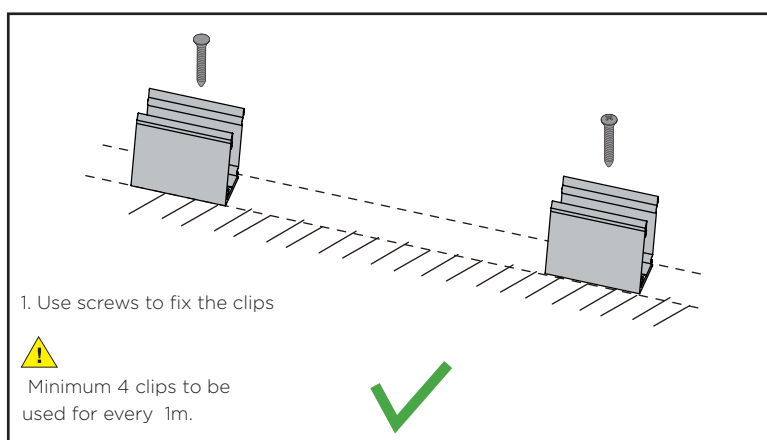
Precautions before Installation:



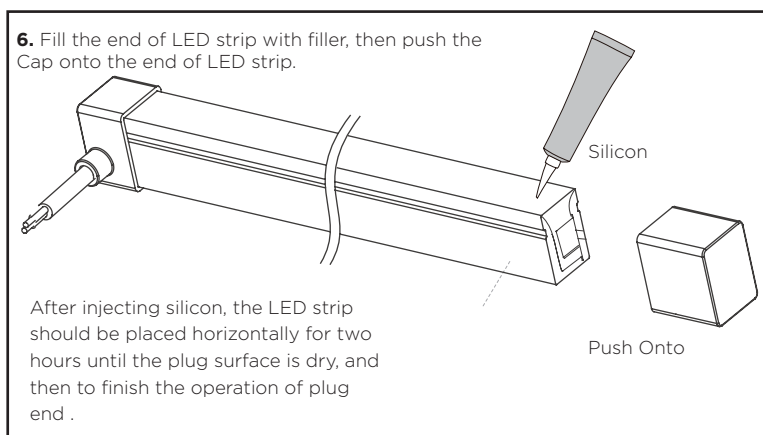
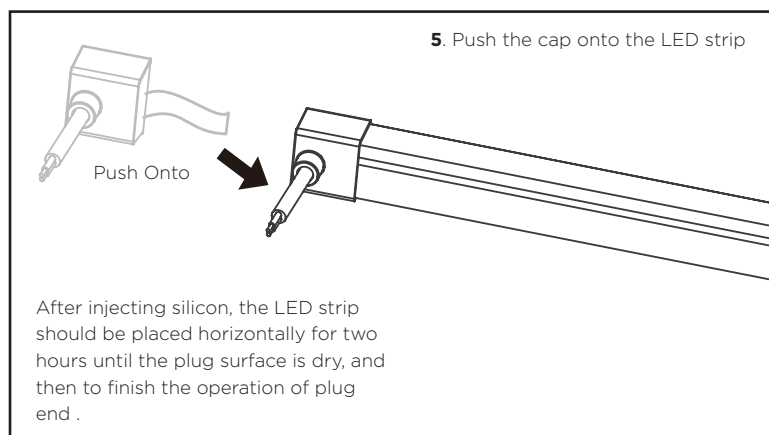
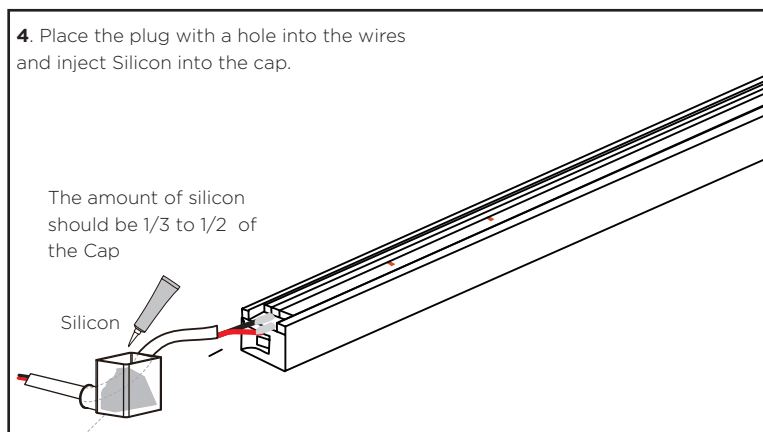
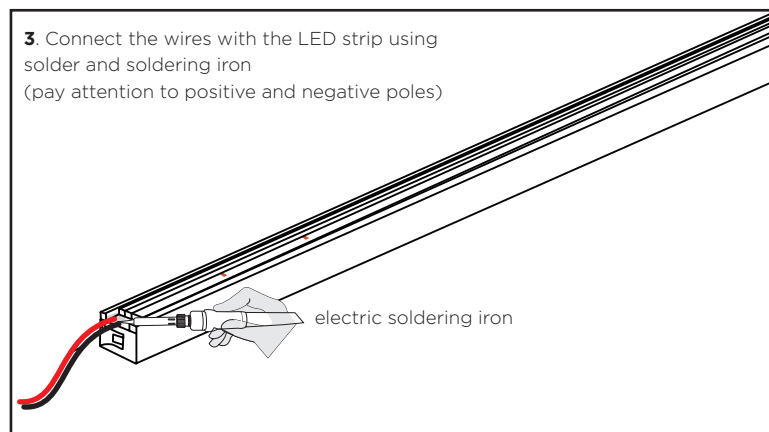
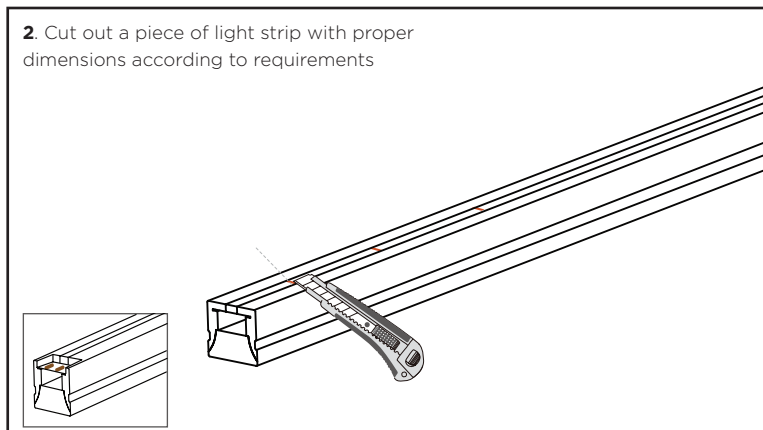
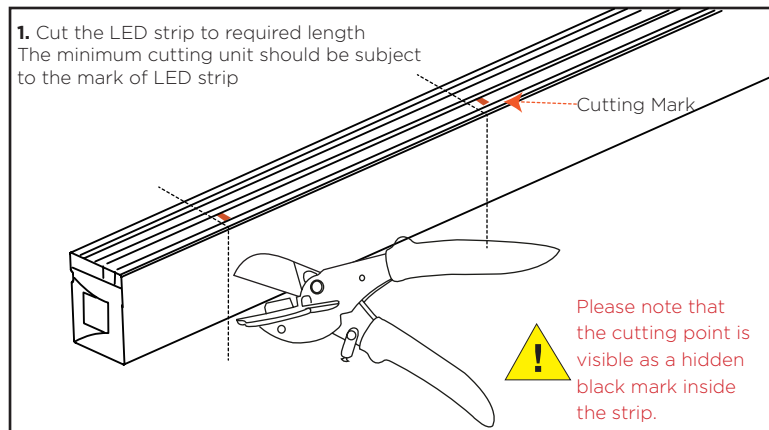
Correct Bending Methods:



Installation Steps:



Instructions for Cutting and Soldering:



Notes:

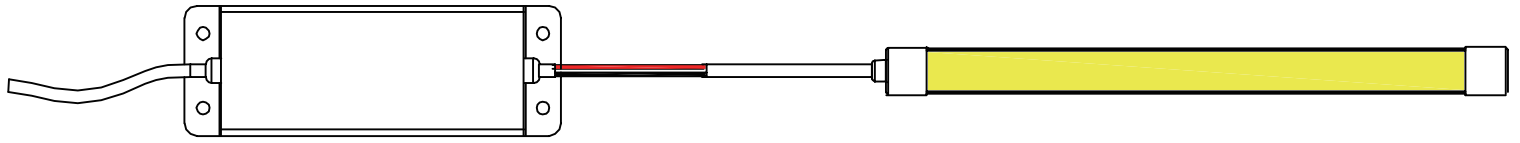
- Only the parts with cutting marks can be cut when it is necessary to cut the silicone neon strip according to the on-site installation length;
- When installing in Channel and in a facing down direction, an adhesive or double sided tape must be applied to prevent Haviflex from falling out of channel.
- Use a 24V DC isolated power supply to drive the silicone neon strip and the ripple wave of constant voltage source shall be less than 5%. It is not allowed to use RC voltage reduction or non-isolated power supply to drive the silicone neon strip.
- When connecting multiple silicone neon strips. Wiring must be done in Parallel. Attention should be paid to the positive and negative poles of the wires during installation and whether the power supply conforms to required voltages to avoid damages.
- Silicone neon strip should be placed in a dry and sealed environment. It is suggested that the storage period cannot be too long. Working temperature: -20°C- +45°C; storage temperature: 0°C- +60°C
- In actual applications, 20% of the power supply shall be kept (only 80% of the power is used) to guarantee that sufficient voltage is available to drive the product;
- Attention shall be paid to safe operation. After powering on, it is not allowed to touch the AC power supply to avoid an electric shock;
- On the premise of required direction (the top view is not same as the side view), please do not bend the strip into an arc with a diameter less than 60mm to ensure the longevity and reliability.

Product Warranty Description

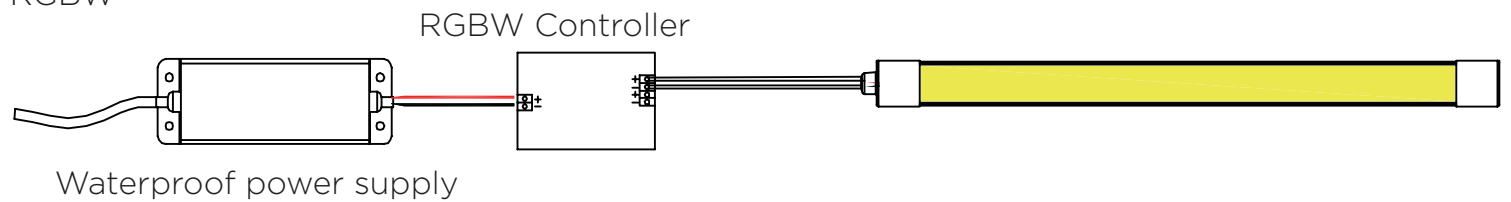
- A warranty period of three years is provided for products in normal use. For any faults arising during the period that are confirmed to be quality related by inspection of Havit Lighting, a replacement strip will be offered.
- The warranty does not cover any of the following:
 - (1) Any product damage due to usage not allowed in the instructions;
 - (2) Any product damage due to disassembling or wrong operations by the user;
 - (3) Severe appearance damage or deformation of the product.

Sample Wiring Diagrams

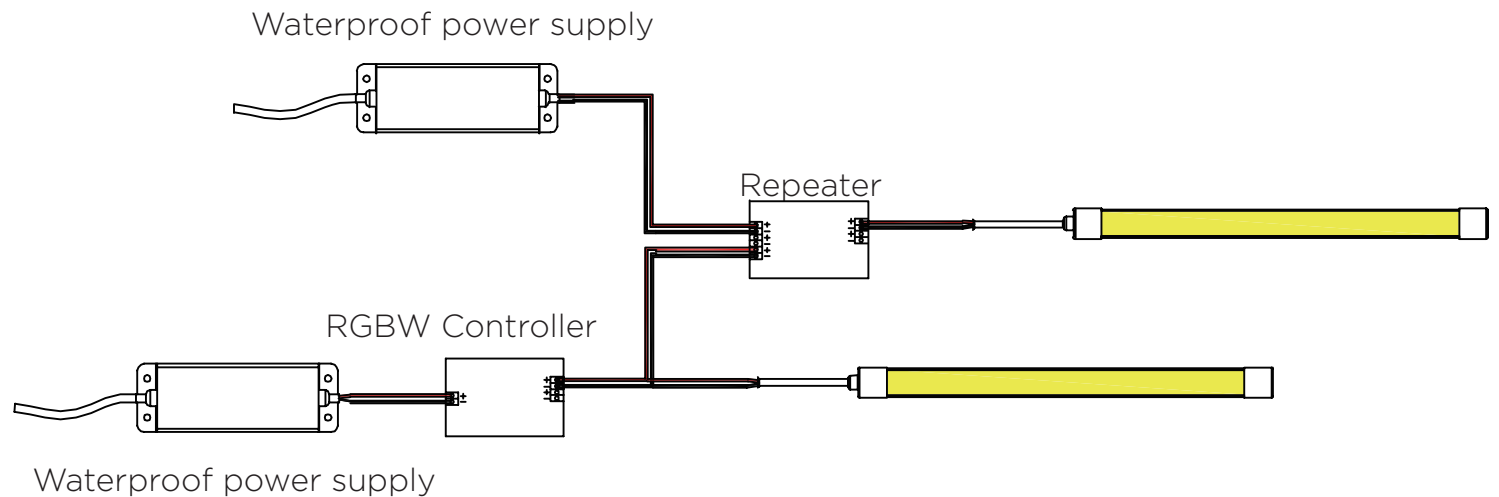
Single Colour



RGBW



RGBW with multiple lengths



Notices

1. The products are subject to thermal expansion as a result of the changes in temperature to which they are subject. This thermal expansion must be taken into account in installations subject to a wide range of temperature.
2. When cleaning use only water and methylated spirits.
3. IP67 protection on the product and the continuous line system.
4. Product is not suitable for use in swimming pools and fountains.