

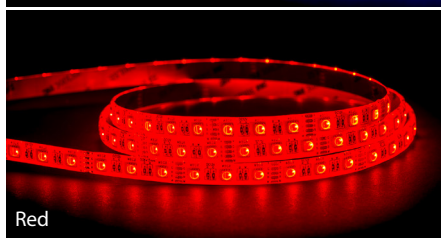
8w IP54 12v DC 60LED Chasing RGB LED Strip

Product Specifications

Watts Per Metre	8w
Input Voltage	12v DC
Colour Temp	Chasing RGB
Beam Angle	120°
IP Rating	IP54
Size	10mm (W) x 3mm (H)
PCB	3oz
CRI	>80
Lamp Expectancy	>50000hrs
Wiring	Parallel
Dimmable	Yes
LED Chip Type	5050
No. Chips Per Metre	60
Maximum Cut Length	5000mm
Cutting Increments	50mm
Mounting	Aluminium Profile or Heat Sink
Operating Temperature	0 - + 60° Celcius
Ambient Temperature	-20° - + 50° Celcius
Warranty	3 Years Replacement*



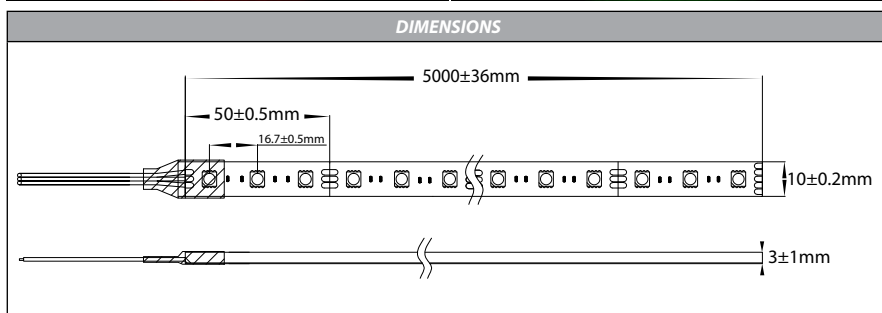
Blue



Red



Green



COMPATIBLE CONTROLLERS



HV9102-SPI-16+M16-3A

SAMPLE WIRING DIAGRAM



Product Ordering - Per Metre

Image	Part Number	Colour Temp	Lumens	Barcode
	HV9750-IP54-60-CHRGB	RGB (Red, Green + Blue)	585lm	9350418024923

Product Ordering - 5m Reel

Image	Part Number	Colour Temp	Lumens	Barcode
	HV9750-IP54-60-CHRGB-5M	RGB (Red, Green + Blue)	585lm	9350418031686

*Ordered after 01-01-2022

For More Information Contact Havit Lighting

143 Beauchamp Road
Matraville NSW 2036
Australia

Tel: 02 9381 8300
Fax: 02 9666 8881
Email: sales@havit.com.au
Web: www.havit.com.au



Warranty Terms & Conditions



www.havit.com.au