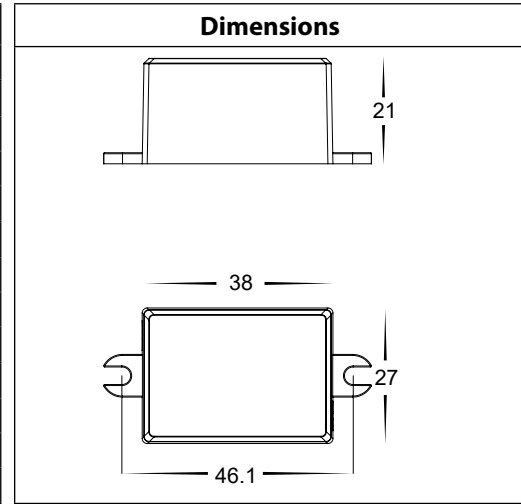


HV9665 Constant Voltage LED Driver Installation Instructions



Product Specifications		
Model No.	HV9665-12V4W	HV9665-24V4W
Material	Plastic	
IP Rating	IP65	
Protection Class	2 (No Earth Required)	
Input Voltage	240v AC	
Output Voltage	12v DC	24v DC
Total Load	4w	4w
Recommended Total Load	3w	3w
Wiring	Parallel	
Dimmable	No	
Operating Temperature	-25° - + 50°	
Protections	Overload, Over Voltage, Over Temperature & Short Circuit	
Warranty	3 Years Replacement*	



Important Safety Issues:

- This product must be installed by a qualified electrician according to AS/NZS 3000.
- Ensure all electrical mains are disconnected before any installation.
- Modification of this product will void any warranty.
- Havit Lighting does not take responsibility for wrong installation, incorrect use, or use of installation material that does not belong to the system.
- Aluminium and 304SS fittings must not be installed within 5km of any salt water environments.
- The converter must only be connected by a fully qualified electrician.
- Make sure has the correct output voltage to light source being installed.
- The installer is responsible for proper installation according to safety regulations. The primary and secondary cables have to be selected considering type and wire gauge. Load, cable length, voltage drop and terminal characteristics have to be taken into consideration.
- Disconnect the LED Driver from the main power if its cables are damaged. - Damaged cables must be replaced.
- LED Driver can become very hot during use, Do not cover.
- The distance between the power supplies and the surfaces around must be min. 50mm so Driver is well ventilated.
- The power supply has connection cables on primary and secondary side. The secondary cables are multiple depending of the power class and are connected to the same potential. The load has to be divided to the connection cables equally. It is not permitted to take the complete load by one single output cable,
- This form may be updated at any time due to product improvements, please check online installation form for most current version.

Steps for Installation:

1. Make sure power is off before connection.
2. Connect Light source to Output side of Driver making sure polarity is correct
3. Connect 240v Power to Input side making sure polarity is correct.
4. When LED Driver is turned on and a ticking noise can be heard. This indicates a short on the run. Turn Driver off and inspect all connections before turning back on.
5. Check connections before switching power back on.

Must be installed by a licensed electrician

Contact Details:

143 Beauchamp Road
Matraville NSW 2036
Australia
Tel: 02 9381 8300
Fax: 02 9666 8881
Email: sales@havit.com.au
Web: www.havit.com.au

Warranty Terms & Conditions*



Additional Information

