

30w IP66 Dali Dimmable LED Driver



PRODUCT SPECIFICATIONS

- Material:** Aluminium
- Colour:** Blue
- Input Voltage:** 240v AC
- Output Voltage:** 12v DC or 24v DC
- Output Power:** 30w*
- Dimming Range:** 10% - 100%
- Wiring:** Parallel
- IP Rating:** IP66
- Dimmable:** Yes (Dali)
- Warranty:** 2 Years Replacement**



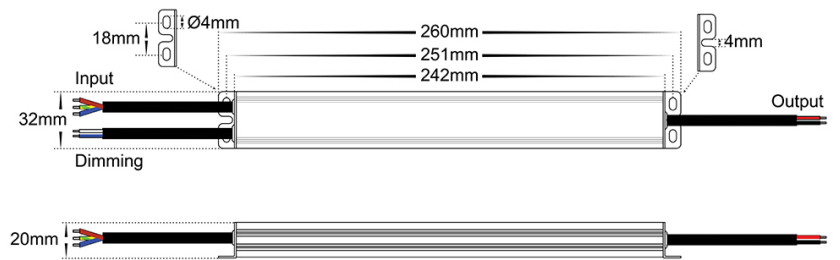
Supplied with Flex & Plug

COMPATIBLE WITH

Single Colour LED Strip



DIMENSIONS



IP RATING



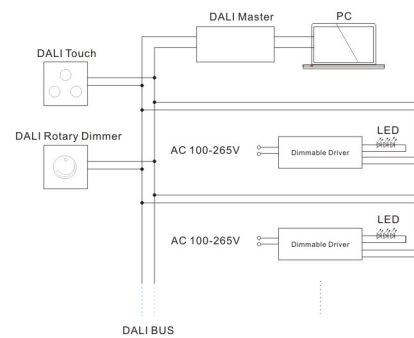
APPROVAL



Product Ordering

| IMAGE | OUTPUT VOLTAGE | PART NUMBER |
|-------|----------------|----------------------|
| | 12v DC | HV9663-12V30W |
| | 24v DC | HV9663-24V30W |

SAMPLE INSTALLATION DIAGRAM



* Recommended maximum Load of 24w
 ** See Warranty Terms and Conditions for more information

For more information contact Havit Lighting

ADDRESS:
 143 Beauchamp Road
 Matraville NSW 2036
 Australia

Tel: 02 9381 8300
 Fax: 02 9666 8881
 Email: sales@havit.com.au
 web: www.havit.com.au

| | | | |
|----------------|----------------------------|--|-------|
| Output | DC Voltage | 12V | 24V |
| | Voltage Tolerance | ±0.5V | |
| | Voltage Regulation | ± 0.5% | |
| | Rated current | 2.5A | 1.25A |
| | Rated power | 30W | 30W |
| Input | Voltage Range | 200-240V AC | |
| | Frequency range | 47 - 63HZ | |
| | Power Factor (Typ.) | PF≥0.97 (Full loading) | |
| | Full Load Efficiency(Typ.) | 79% | 80% |
| | AC Current(Max.) | 0.25A | |
| | Inrush Current (Typ.) | 30A,50%,90us | |
| | Leakage Current | <0.50mA | |
| Protection | Short Circuit | Hiccup mode, recovers automatically after fault condition is removed | |
| | Over Load | ≤120% shut down o/p voltage, re-power on to recover after fault condition is removed | |
| | Over Temperature | 100°C ± 10°C shut down o/p voltage, re-power on to recover | |
| | Protection Class: | II | |
| Environment | Working temperature | 40 - +60°C | |
| | Working humidity | 20 - 90%RH,non-condensing | |
| | Storage temp. and humidity | -40- + 80°C, 10-95%RH | |
| | Temp. coefficient | ±0.03%/°C (0-50°C) | |
| | Vibration | 10-500Hz,2G 12min./1 cycle,period for 72min.each along X.Y.Z axes. | |
| Safety and EMC | Safety standards | EN61347-1 EN61347-2-13 IP20 | |
| | Withstand voltage | I/P-O/P:3.75KVAC I/P-FG:1.88KVAC O/P-FG:0.5KVAC | |
| | Insulation resistance | I/P-O/P I/P-FG O/P-FG:100MΩ/500VDC/25°C/70%RH | |
| | EMC Emission | EN55015,EN61000-3-2,3 (>60%loading) | |
| | EMC Immunity | EN61000-4-2,3,4,5,6,11,EN61547, A light industry level (Surge 4KV) | |