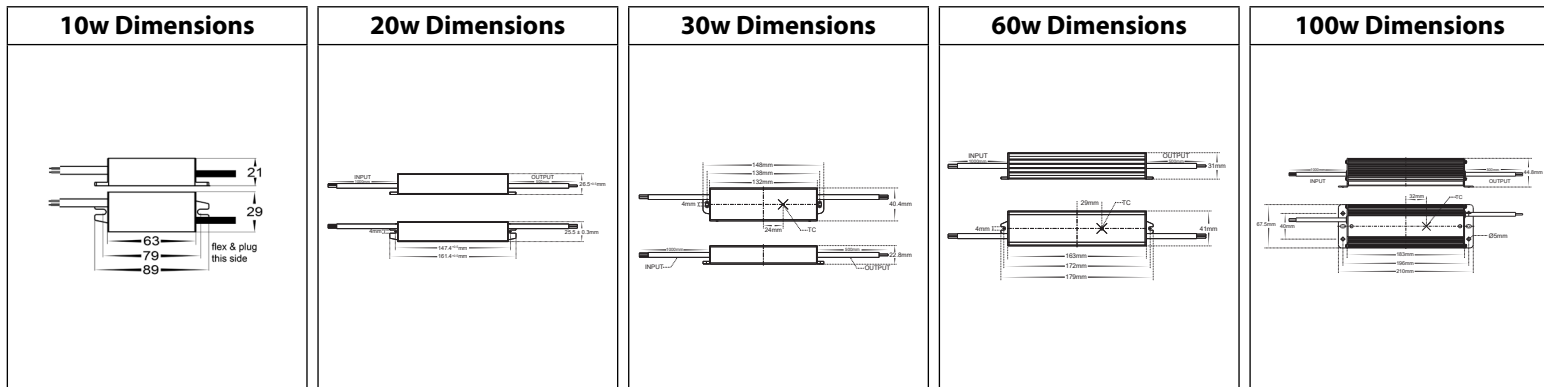


## Product Specifications

Model No.	HV9650S	HV9651	HV9652	HV9652-24V	HV9653	HV9653-24V	HV9654	HV9654-24V
Material	Aluminium							
IP Rating	IP66							
Protection Class	1(Requires Earth) ⚡							
Input Voltage	240v AC							
Output Voltage	12v DC	12v DC	12v DC	24v DC	12v DC	24v DC	12v DC	24v DC
Total Load	10w	20w	30w	30w	60w	60w	100w	100w
Recommended Total Load	6w	16w	24w		48w		80w	
Wiring	Parallel							
Dimmable	No							
Operating Temperature	-25° - + 50°							
Protections	Overload, Over Voltage, Over Temperature & Short Circuit							
Warranty	3 Years Replacement*							

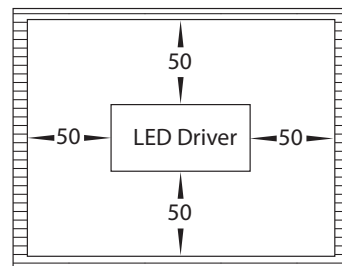


## Important Safety Issues:

- This product must be installed by a qualified electrician according to AS/NZS 3000.
- Ensure all electrical mains are disconnected before any installation.
- Modification of this product will void any warranty.
- Havit Lighting does not take responsibility for wrong installation, incorrect use, or use of installation material that does not belong to the system.
- Aluminium and 304SS fittings must not be installed within 5km of any salt water environments.
- All Havit Lighting LED Drivers are provide with a flex & plug for ease of replacement if Driver was to fail. Removing this plug will void warranty.
- The converter must only be connected by a fully qualified electrician.
- Make sure has the correct output voltage to light source being installed.
- The installer is responsible for proper installation according to safety regulations. The primary and secondary cables have to be selected considering type and wire gauge. Load, cable length, voltage drop and terminal characteristics have to be taken into consideration.
- Disconnect the LED Driver from the main power if its cables are damaged. - Damaged cables must be replaced.
- LED Driver can become very hot during use, Do not cover.
- The distance between the power supplies and the surfaces around must be min. 50mm so Driver is well ventilated.
- The power supply has connection cables on primary and secondary side. The secondary cables are multiple depending of the power class and are connected to the same potential. The load has to be divided to the connection cables equally. It is not permitted to take the complete load by one single output cable,
- This form may be updated at any time due to product improvements, please check online installation form for most current version.

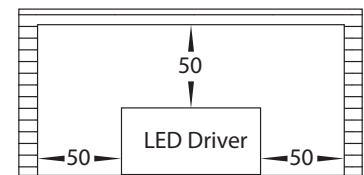
## Steps for Installation:

1. Connect the Output cable to light source making sure that polarity is correct.
2. If connections are outdoors make sure to cover connections using an adhesive lined heat shrink or gel cap to make connection watertight. Failure to do this will void warranty.
3. Make sure power is off before connecting 240v plug to power point, Once plugged in turn power back on.
4. When LED Driver is turned on and a ticking noise can be heard. This indicates a short on the run. Turn Driver off and inspect all connections before turning back on.



Top View

Minimum 50mm spacing needed around LED Driver. LED Driver cannot be covered, If covered warranty will be voided.



Side View

**Must be installed by a licensed electrician**

## Contact Details:

143 Beauchamp Road  
Matraville NSW 2036  
Australia  
Tel: 02 9381 8300  
Fax: 02 9666 8881  
Email: sales@havit.com.au  
Web: www.havit.com.au

## Warranty Terms & Conditions\*



## Additional Information

