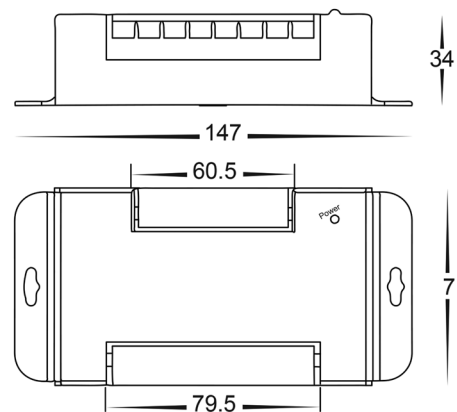
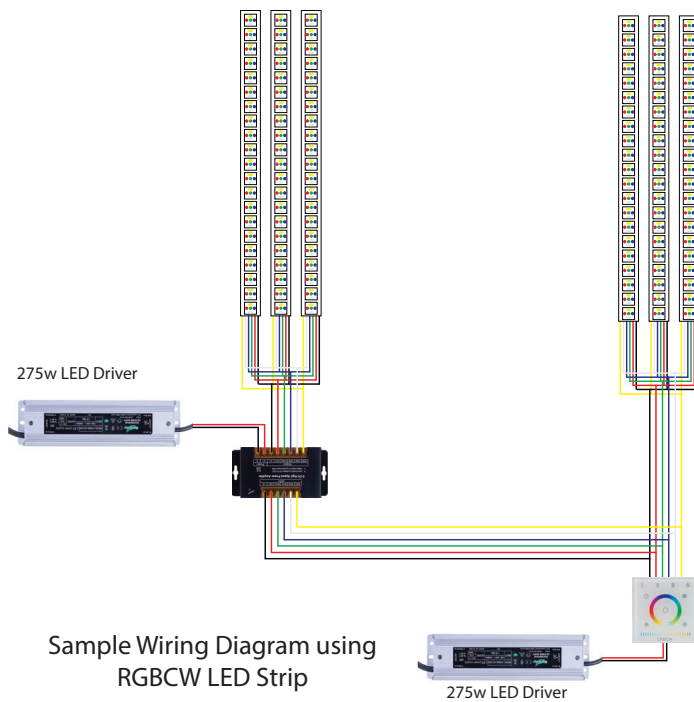


5 Channel LED Repeater



Product Specifications

Material	Aluminium
Colour	Black
IP Rating	IP20
LED Strip Type	All LED Strip
No. of Channels	5
Input Signal	PWM
Input Voltage	12v DC or 24v DC
Output Power	5x 6A (360w 720w)
Dimmable	Yes - 5%-100%
CRI	CRI>80
Warranty	3 Years Replacement*



Product Ordering

Part Number	input Voltage	No. Channels	Output Power	Barcode
HV9636	12v DC or 24v DC	5	5x 6A (360w 720w)	9350418026156

*Items ordered after 01-01-2022