

0-1/10v Dial Dimmer



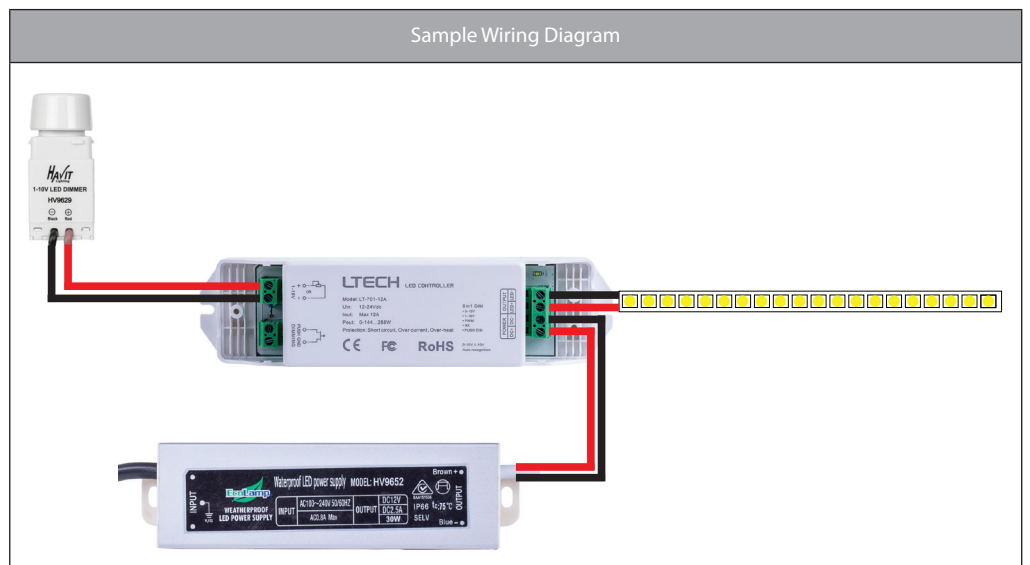
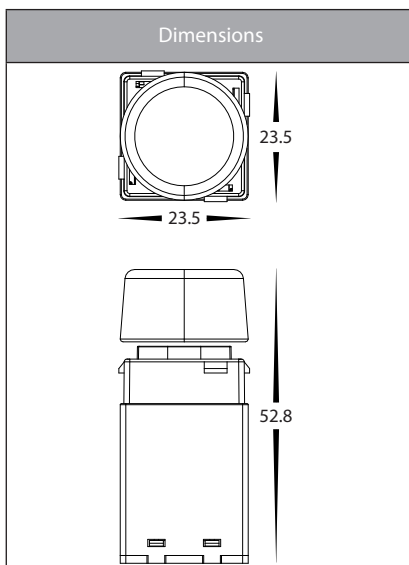
Product Specifications

Material	Plastic
Colour	White
IP Rating	IP20
IK Rating	IK02
Installation Type	Wall - Recessed
LED Strip Type	Single Colour
No. of Zones	1
Protection Class	3 (No Earth Required)
Input Voltage	10v
Dimmable	Yes - 1% to 100%
Working Temp	-20° - 55° C
Warranty	3 Years Replacement*



Optional Havit Compatible Accessories

Image	Part Number	Description
	12v & 24v DC LED Drivers	See Catalogue or Website for full range of 12v & 24v DC 0-1/10V LED Drivers
	12v & 24v DC LED Strip Controller	See Catalogue or Website for full range of 12v & 24v DC 0-1/10V LED Strip Controllers



Product Ordering

Part Number	LED Strip Type	Input Voltage	Max Load	IP Rating	Approval	Barcode
HV9629	Single Colour	10v DC	10A/40ma	IP20		9350418001863

*Items ordered after 01-01-2022