

1-10v RGB LED Strip Controller



PRODUCT SPECIFICATIONS

Material: Plastic

Colour: White

LED Strip Type: RGB

No. of Channels: 3

Input Voltage: 12v DC or 24v DC

Output Power: 3x 5A (180w/360w)

Input Signal: 0-10v analogue dimming

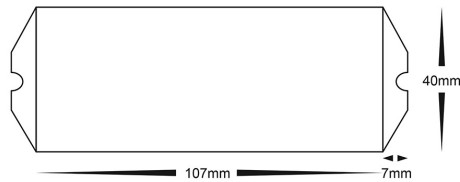
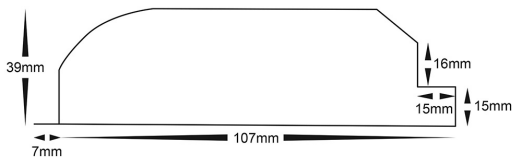
IP Rating: IP20

Dimmable: Yes (0.1% - 100%)

Warranty: 2 Years Replacement**



DIMENSIONS



IP RATING



Product Ordering

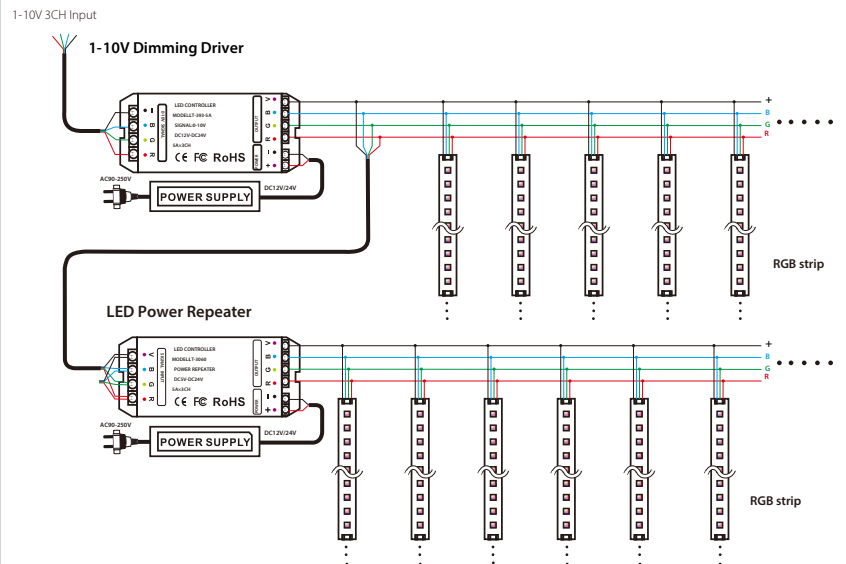
IMAGE

PART NUMBER



HV9106-LT-393-5A

SAMPLE INSTALLATION DIAGRAM



** See Warranty Terms and Conditions for more information

For more information contact Havit Lighting

ADDRESS:
143 Beauchamp Road
Matraville NSW 2036
Australia

Tel: 02 9381 8300
Fax: 02 9666 8881
Email: sales@havit.com.au
web: www.havit.com.au