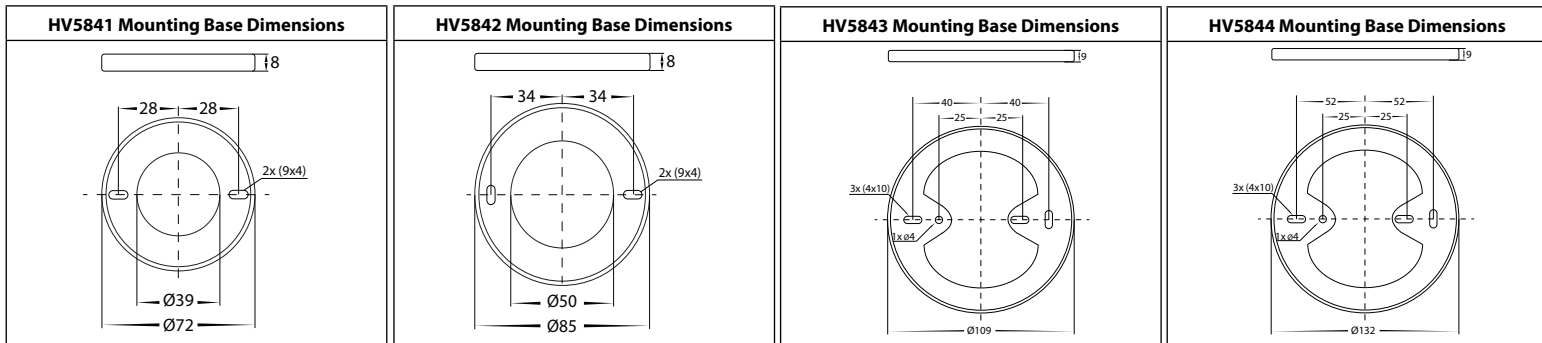
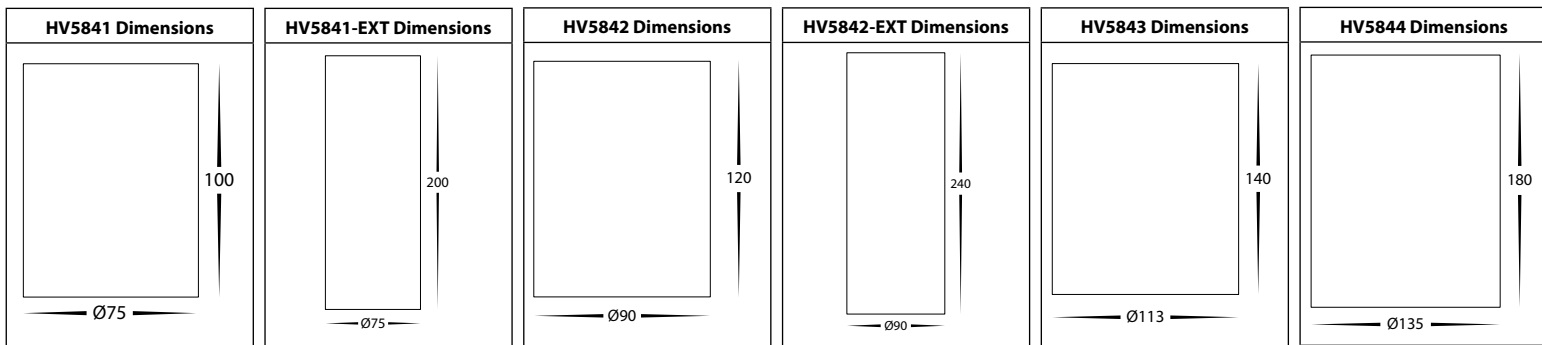


Nella Surface Mounted Downlight Installation Instructions



Product Specifications

Model No.	HV5841S-BLK	HV5841S-WHT	HV5842S-BLK	HV5842S-WHT	HV5843S-BLK	HV5843S-WHT	HV5844S-BLK	HV5844S-WHT
	HV5841S-BLK-EXT	HV5841S-WHT-EXT	HV5842S-BLK-EXT	HV5842S-WHT-EXT				
Name	Nella Baffled							
Material	Aluminium							
Colour	Black	White	Black	White	Black	White	Black	White
IP Rating	IP54							
Input Voltage	240v							
Protection Class	1 (Requires Earth)							
Lamp Base	Built in LED							
Lamp Wattage	1x 7w		1x 12w		1x 18w		1x 24w	
Colour Temp	5-Colour - 2700k, 3000k, 4000k, 5000k, 5700k		5-Colour - 2700k, 3000k, 4000k, 5000k, 5700k		5-Colour - 2700k, 3000k, 4000k, 5000k, 5700k		5-Colour - 2700k, 3000k, 4000k, 5000k, 5700k	
Lumens	499lm, 512lm, 558lm, 593lm, 601lm		688lm, 840lm, 916lm, 931lm, 1004lm		1371lm, 1410lm, 1518lm, 1600lm, 1617lm		1554lm, 1638lm, 1796lm, 1893lm, 1968lm	
CRI	> 80							
Wiring	Parallel							
Dimmable	Yes - Triac Dimmable							
Warranty	3 Years Replacement*							



Important Safety Issues:

- This product must be installed by a qualified electrician according to AS/NZS 3000.
- Ensure all electrical mains are disconnected before any installation.
- Modification of this product will void any warranty.
- Havit Lighting does not take responsibility for wrong installation, incorrect use, or use of installation material that does not belong to the system.
- Aluminium and 304SS fittings must not be installed within 5km of any salt water environments.
- All o-rings and seals must be in place correctly to maintain warranty
- This form may be updated at any time due to product improvements, please check online installation form for most current version.

Steps for Installation:

1. Make sure that the electrical circuit is free of voltage (master switch off)
2. Remove base plate by twisting anti clockwise.
3. Unplug fitting from driver and set fitting aside
4. Install base plate in desired location using appropriate screws for application. If fitting is installed in an outdoor environment, Seal must stay in place to keep fittings IP Rating.
5. Connect the cable: Use wire with earth, connect earth first then positive and then neutral
6. Reconnect plug from fitting to driver.
7. Fitting is preset to 3000k, To change slide switch inside fitting to desired colour temperature
8. Reattach fitting to base plate by twisting clockwise
9. All connections must be carried out carefully, inspect all contacts before switching back on the electric circuit.

Steps for Installation of inserts:

1. Inserts are held in by magnets, To remove pull on inside of insert and remove.
2. Insert honey comb into new insert.
3. Push new insert into fitting allowing magnets to stick to fitting.

Must be installed by a licensed electrician

Contact Details:

143 Beauchamp Road
Matraville NSW 2036
Australia

Tel: 02 9381 8300
Fax: 02 9666 8881
Email: sales@havit.com.au
Web: www.havit.com.au

Warranty Terms & Conditions*



Additional Information

