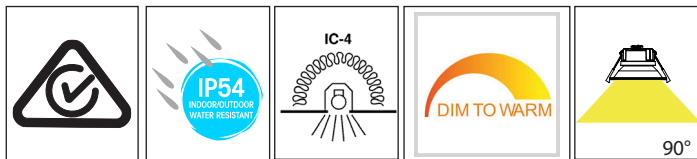


Gleam Dim to Warm Fixed Deep Recessed Downlights



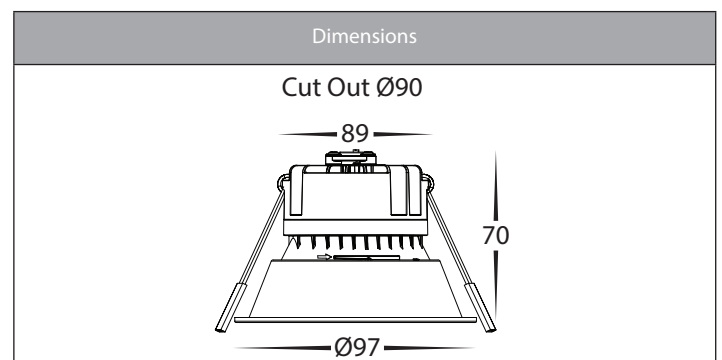
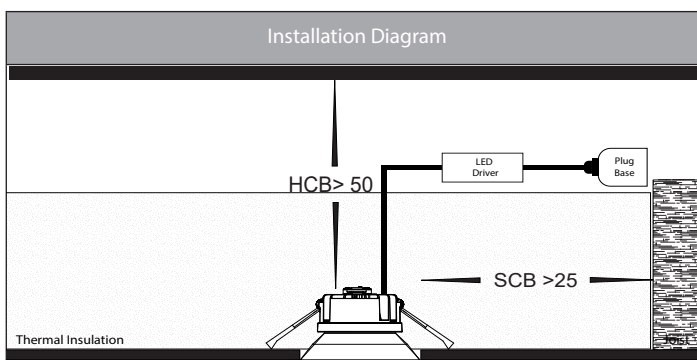
Product Specifications

| | |
|-------------------|-------------------------------------|
| Name | Gleam |
| Material | Polycarbonate Face + Aluminium Body |
| Colour | Black with Coloured Insert Options |
| Cut Out | 90mm |
| Tilt | No |
| IP Rating | IP54 - Front of Fitting Only |
| Installation Type | Ceiling - Recessed |
| Lamp Base | Built in LED |
| Protection Class | 240v = 2 (No Earth Required) |
| Max Wattage | 9w |
| Lamp Expectancy | <30,000hrs |
| Diffuser Type | Plastic |
| IC Rating | IC-4 when used with HV5528-IC4CAP |
| CRI | CRI>80 |
| Dimmable | Yes - Triac |
| IK Rating | IK08 |
| Warranty | 3 Years Replacement* |



Optional Havit Compatible Accessories

| Image | Part Number | Description |
|-------|---------------|---|
| | HV9625 | Triac Dimmer when used with Triac Dimmable Drivers |
| | HV5528-IC4CAP | Cap to allow for installation under insulation in ceiling |



Product Ordering

| Image | Part Number | Colour Temp | Lumens | Input Voltage | Beam Angle | Included LED | Barcode |
|-------|---------------------|-------------|--------|---|------------|---------------------------------------|---------------|
| | HV5528D2W-BB | 1800k-3000k | 685lm | 240v AC Supplied with Flex & Plug | 90° | Dim to Warm 9w Built in LED | 9350418032218 |
| | HV5528D2W-BC | 1800k-3000k | 685lm | 240v AC Supplied with Flex & Plug | 90° | Dim to Warm 9w Built in LED | 9350418032225 |
| | HV5528D2W-BG | 1800k-3000k | 685lm | 240v AC Supplied with Flex & Plug | 90° | Dim to Warm 9w Built in LED | 9350418032232 |

*Items ordered after 01-01-2022