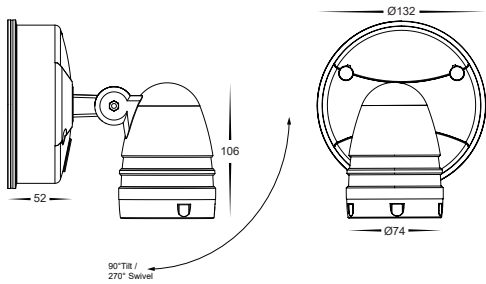


# Focus Adjustable Spot Lights Installation Instructions

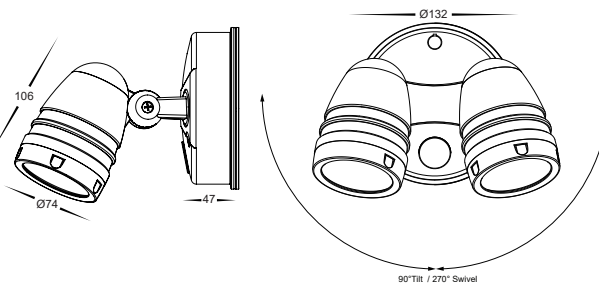
## Product Specifications

Model No.	HV3791T-BLK	HV3791T-WHT	HV3792T-BLK	HV3792T-WHT	HV3793T-BLK	HV3793T-WHT	HV3794T-BLK	HV3794T-WHT
Name	Focus							
Material	Polycarbonate							
Colour	Black	White	Black	White	Black	White	Black	White
IP Rating	IP65							
Input Voltage	240v AC							
Protection Class	2 (No Earth Required) <input type="checkbox"/>							
Lamp Base	Built in LED							
Lamp Wattage	1x 15w				2x 15w			
Colour Temp	TRI Colour - 3000k, 4000k, 5500k				TRI Colour - 3000k, 4000k, 5500k			
Lumens	1200lm, 1275lm, 1350lm				2x 1200lm, 2x 1275lm, 2x 1350lm			
Sensor Type	Microwave - 5.8Ghz +/- 75Mhz							
Sensor Detection Area	180°							
Sensor Detection Range	Up to 12m - Dependant on installation height, to achieve maximum range, recommended height is 2.1m							
Lux Settings	2, 10, 25, 50, 100, 200 Lux							
Time	30 seconds, 90 seconds, 5 minutes, 10 minutes, 30 minutes							
Standby Mode	3 minutes, 10 minutes, 30 minutes, 60 minutes							
Sensitivity	25% = 3m, 50% = 6m, 75% = 9m, 100% = 12m approximately							
CRI	> 80							
Dimmable	No	Yes, Using remote only			No	Yes, Using remote only		
Warranty	3 Years Replacement*							

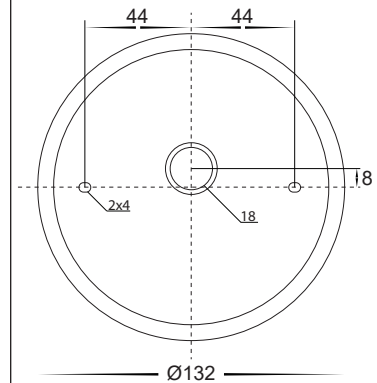
### HV3791+ HV3792 Dimensions



### HV3793 + HV3794 Dimensions



### Mounting Bracket



## Important Safety Issues:

- This product must be installed by a qualified electrician according to AS/NZS 3000.
- Ensure all electrical mains are disconnected before any installation.
- Modification of this product will void any warranty.
- Havit Lighting does not take responsibility for wrong installation, incorrect use, or use of installation material that does not belong to the system.
- All o-rings and seals must be in place correctly to maintain warranty
- The unit should be wired to its own light switch only. No two way switching. Do not interconnect with other lights on the same switch.
- Ideally the security lamp should be mounted 1.8 to 3m above the ground to be scanned.
- To avoid damage to the sensor unit- DO NOT aim the sensor towards the sun or the photo electric cell will be damaged.
- To avoid nuisance triggering, the sensor should be directed away from heat sources such as barbecues, Air-conditioners, other outside lighting, moving cars and flue vents.
- To avoid nuisance triggering, keep away from areas of strong electromagnetic disturbance.
- Do not aim towards reflective surfaces such as smooth white walls, swimming pools, etc. The security lamp scanning specifications (approximately 10 metres at 180°) may vary slightly depending on the mounting height and location. The detection range of the unit may also alter with temperature change. Before selecting a place to install your security lamp you should note that movement across the scan area is more effective than movement directly toward or away from the sensor. If movement is made walking directly towards or away from the sensor and not across, the apparent detection range will be substantially reduced.
- This form may be updated at any time due to product improvements, please check online installation form for most current version.

## Steps for Installation:

1. Make sure that the electrical circuit is free of voltage (master switch off)
2. Remove base plate from fitting, insert cable into cable entry hole and attach base plate in desired location using appropriate screws for application, For Sensor Models, Ideal height to achieve maximum sensor range is 2.1m, If installed higher or lower, Detection range will be affected
3. Seal all holes including cable entry and screw points to avoid any water penetration.
4. Connect the cable - If wire has earth; connect the earth first, then live and neutral wire, (can be connected with no earth)
5. Fitting is preset to 3000k, to change slide switch to desired colour temperature located in back of fitting.
6. Reattach fitting to baseplate making sure screws are tight to avoid water penetration. Insert caps provided to cover screws.
7. Apply silicon around edge of fitting to prevent any water from getting inside to electrical connections.
8. To adjust heads, loosen screw on side of head and gently move into position to where you want fitting pointed and tighten screw, Do not overtighten.
9. For sensor models, Refer next page for remote instructions.
10. All connections must be carried out carefully, inspect all contacts before switching back on the electric circuit.

## Must be installed by a licensed electrician

### Contact Details:

143 Beauchamp Road  
Matraville NSW 2036  
Australia

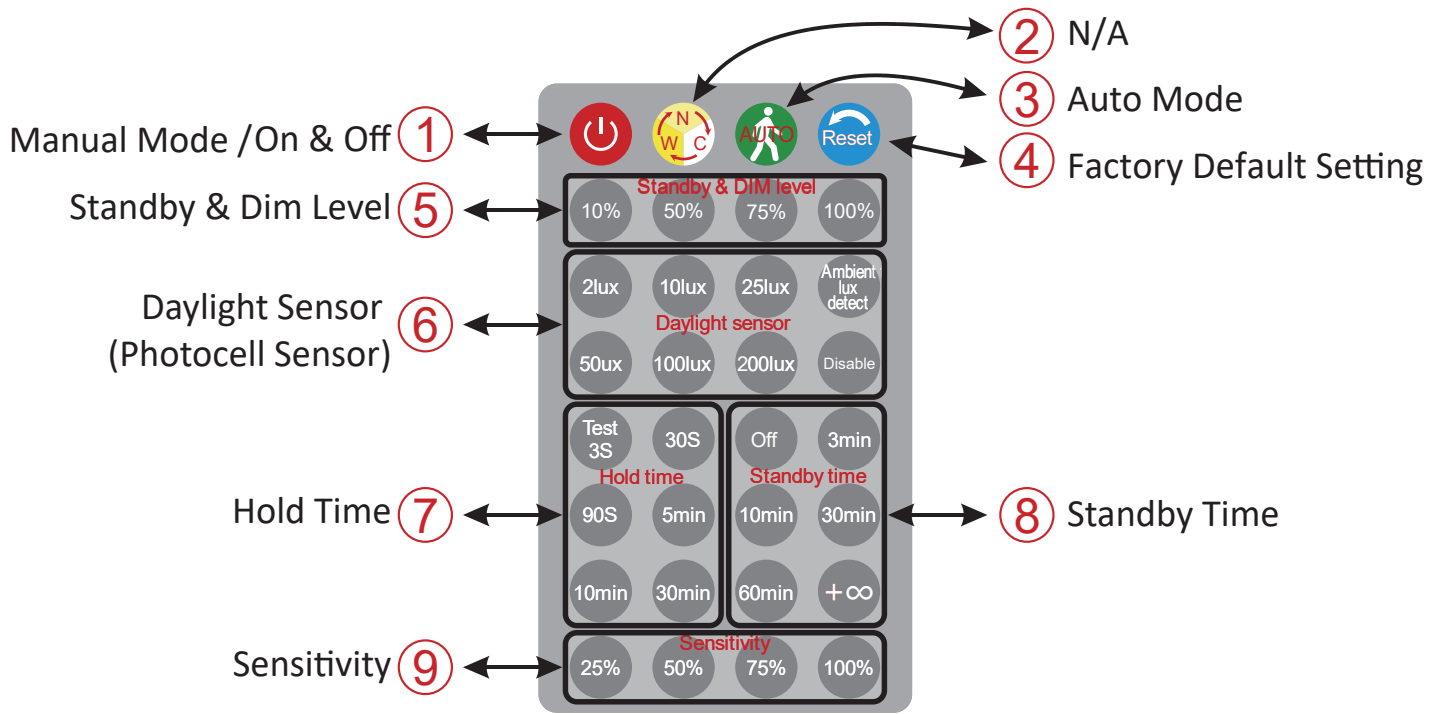
Tel: 02 9381 8300  
Fax: 02 9666 8881  
Email: sales@havit.com.au  
Web: www.havit.com.au

### Warranty Terms & Conditions\*



### Additional Information





**Remote Instructions for Sensor Models Only:**

1. Pressing this button will switch fitting to Manual Mode, Press it repeatedly to switch the light to On/Off. In Manual Mode, fitting can only be controlled by the remote control, the fitting won't be controlled by the photocell sensor and radar motion sensor, the brightness of the light can be adjusted by pressing "Standby & Dim Level" buttons.
2. No Function - Pressing this button will not change colour temperature, To do this you must select colour temperature inside base.
3. Auto Mode: Light fitting is controlled by radar motion detector and photocell sensor.
4. Reset button returns fitting to factory default settings: The default parameters are:  
Mode = Auto / Daylight Sensor = 50Lux / Hold time = 30S / Standby time = OFF (0S) / Sensitivity = 100%
5. Standby & Dim Level: Adjusts the standby Level on Auto Mode; Adjust the Dim Level on Manual Mode.
6. Daylight (Photocell) Sensor: In Auto Mode, the light is not only controlled by motion detection, it is also controlled by the ambient light brightness and depends on the setting values, the light will be restricted when the brightness of ambient light exceeds the set values.  
"Disable": to disable the daylight sensor function, fitting will only be controlled by motion detection.  
"Ambient Lux detection": Set the current brightness as the daylight threshold.
7. Hold Time: The length of time that the sensor switches the light "on" after activation.  
In Auto mode, when the daylight threshold is set to light-on, and the unit detects a valid motion, the light will turn on. After the hold time, the light will be back to the set up accordingly.  
"Standby & Dim Level" or turn off (depends on the settings on "Standby Time").  
"Test 3S" button is a test mode, the duration time is 3 seconds, which is convenient for testing the motion detection distance and the daylight threshold.  
The "Hold Time" will not be saved when power is turned off.
8. Standby Time: To Adjust the standby time.  
"OFF" is to turn off the standby function, the light will be turned off directly after the hold time expires.  
"+∞" means the standby light is always on (affected by setting value of the Daylight Sensor, when the brightness of ambient light is higher than the setting value of Daylight sensor, the light will turn off). All other settings will allow light to stay in standby mode for time period set and then completely switch off.  
Photocell control Mode: When Standby time is set to +∞ and Standby & Dim Level is set to 100%, the light is only controlled by daylight (photocell) sensor. The unit will turn on at full power when the brightness of ambient light is lower than the setting value of daylight sensor.
9. Sensitivity: How sensitive the sensor is to movement. you can set to operate the unit at the desired level by pressing this button.  
Sensitivity and detection distance (approx.): 25%: detection distance = 3m, 50%: detection distance = 6m, 75%: detection distance = 9m, 100%: detection distance = 12m.