

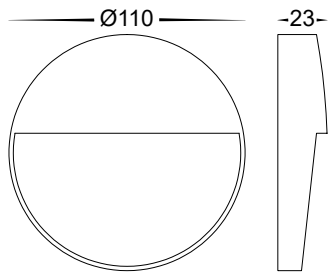
Fino Step Light Installation Instructions



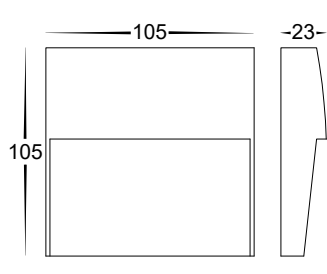
Product Specifications

Model No.	HV3268T-BLK-12V-RND	HV3268T-BLK-12V-SQ	HV3268T-WHT-12V-RND	HV3268T-WHT-12V-SQ	HV3269T-BLK-12V-RND	HV3269T-BLK-12V-SQ	HV3269T-WHT-12V-RND	HV3269T-WHT-12V-SQ
Name	Fino							
Material	Aluminium							
Colour	Black		White		Black		White	
IP Rating	IP54							
Input Voltage	12v DC							
Protection Class	⚡ (Low Voltage)							
Lamp Base	Built in LED							
Lamp Wattage	1x 3w				1x 6w			
Colour Temp	TRI Colour - 3000k, 4000k, 5500k							
Lumens	30lm, 33lm, 32lm				195lm, 199lm, 198lm			
CRI	> 80							
Wiring	Parallel							
Dimmable	No							
Warranty	3 Years Replacement*							

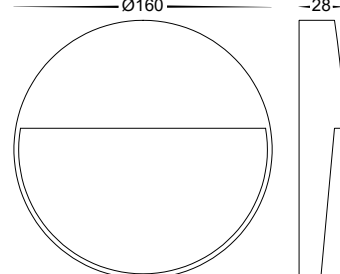
HV3268-RND Dimensions



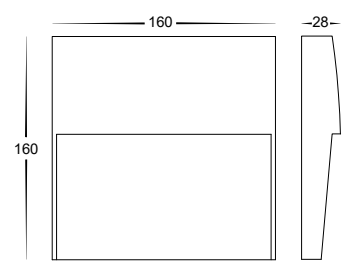
HV3268-SQ Dimensions



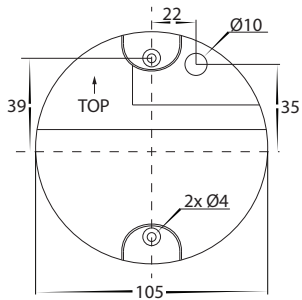
HV3269-RND Dimensions



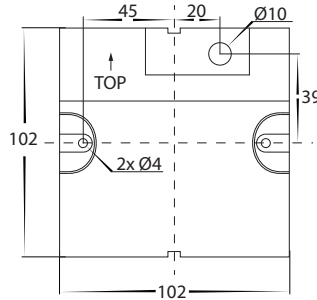
HV3269-SQ Dimensions



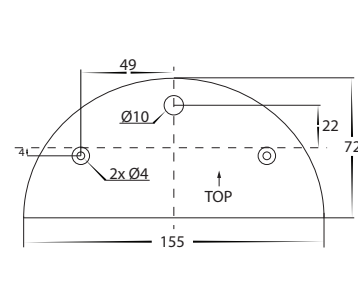
HV3268-RND Mounting Base



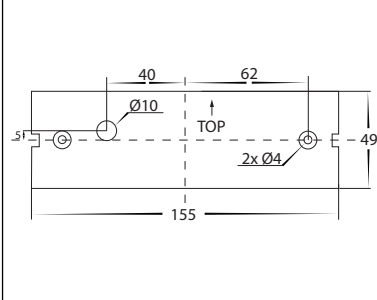
HV3268-SQ Mounting Base



HV3269-RND Mounting Base



HV3269-SQ Mounting Base



Important Safety Issues:

- This product must be installed by a qualified electrician according to AS/NZS 3000.
- Ensure all electrical mains are disconnected before any installation.
- Modification of this product will void any warranty.
- Havit Lighting does not take responsibility for wrong installation, incorrect use, or use of installation material that does not belong to the system.
- When installing low voltage fittings, Voltage to fitting must be within +or- 5% of voltage required and cannot be installed more than 25m from LED Driver, if not within this allowance warranty will be voided.
- Aluminium and 304SS fittings must not be installed within 5km of any salt water environments.
- All o-rings and seals must be in place correctly to maintain warranty.
- These instructions may be updated at any time due to product improvements, Please visit website for most current installation instructions.

Steps for Installation:

1. Make sure that the electrical circuit is free of voltage (master switch off)
2. Remove face from base plate
3. Install base plate in desired location
4. Seal all holes in the backing plate including cable entry and screw holes.
5. Using an appropriate 12v DC LED Driver - DO NOT CONNECT LIGHT FITTING DIRECTLY TO 240V
6. Connect the cable - If more than one fitting installed, wiring must be done in parallel.
7. Fitting is preset to 3000k, To change move switch above PCB to desired colour temperature
8. Reattach face onto fitting.
9. Apply silicon around edge of fitting to prevent any water from getting inside to electrical connections.
10. All connections must be carried out carefully, inspect all contacts before switching back on the electric circuit.

Must be installed by a licensed electrician

Contact Details:

143 Beauchamp Road
Matraville NSW 2036
Australia
Tel: 02 9381 8300
Fax: 02 9666 8881
Email: sales@havit.com.au
Web: www.havit.com.au

Warranty Terms & Conditions*



Additional Information

