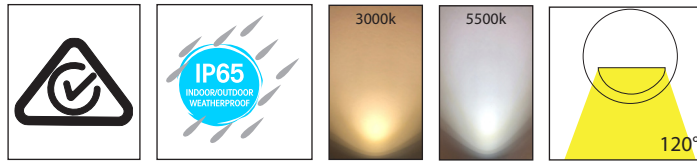


Nava Aluminium Wall or Step Lights with Eyelid



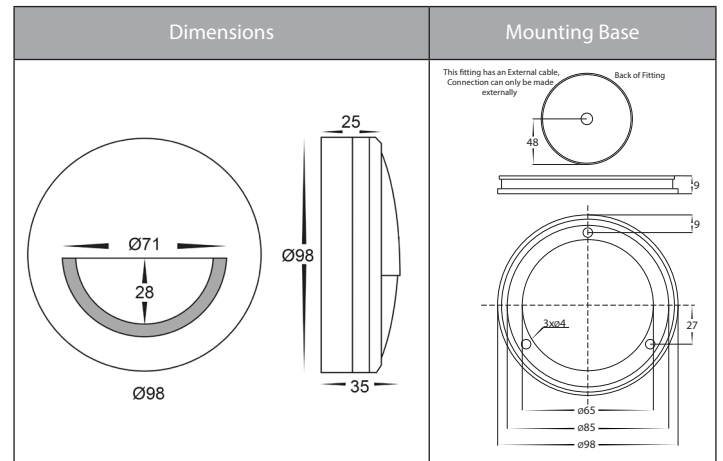
Product Specifications

Name	Nava
Material	Aluminium
Colour	Titanium or Poly Powder Coated Black
IP Rating	IP65
IK Rating	IK06
Installation Type	Wall - Surface Mounted
Cable Length	150mm
Lamp Base	Built in LED
Max Wattage	5w
Protection Class	12v DC = 3 (No Earth Required)
	240v = 1 (Earth Required)
Lamp Expectancy	<30,000hrs
Diffuser Type	Polycarbonate
CRI	CRI>80
Dimmable	No
Warranty	3 Years Replacement*



Optional Havit Compatible Accessories

Image	Part Number	Description
	12v DC LED Drivers	See Catalogue or Website for full range of 12v DC LED Drivers
	HV9911	Small IP67 Weatherproof Connector
	HV9912	Medium IP67 Weatherproof Connector
	HV9913	Large IP67 Weatherproof Connector



Product Ordering

Image	Part Number	Colour Temp	Lumens	Input Voltage	Beam Angle	Included LED	Barcode
	HV2961W-TTM-12V	3000k	360lm	12v DC	120°	5w Built in LED	9350418000408
	HV2961C-TTM-12V	5500k	400lm	12v DC	120°	5w Built in LED	9350418000392
	HV2961W-TTM-240V	3000k	360lm	240v AC	120°	5w Built in LED	9350418000385
	HV2961C-TTM-240V	5500k	400lm	240v AC	120°	5w Built in LED	9350418000378
	HV2961W-BLK-12V	3000k	360lm	12v DC	120°	5w Built in LED	9350418007117
	HV2961C-BLK-12V	5500k	400lm	12v DC	120°	5w Built in LED	9350418007100
	HV2961W-BLK-240V	3000k	360lm	240v AC	120°	5w Built in LED	9350418007407
	HV2961C-BLK-240V	5500k	400lm	240v AC	120°	5w Built in LED	9350418007391

*Items ordered after 01-01-2022