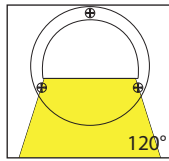
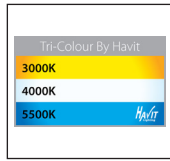


Pinta Aluminium Black Wall or Step Lights with Eyelid



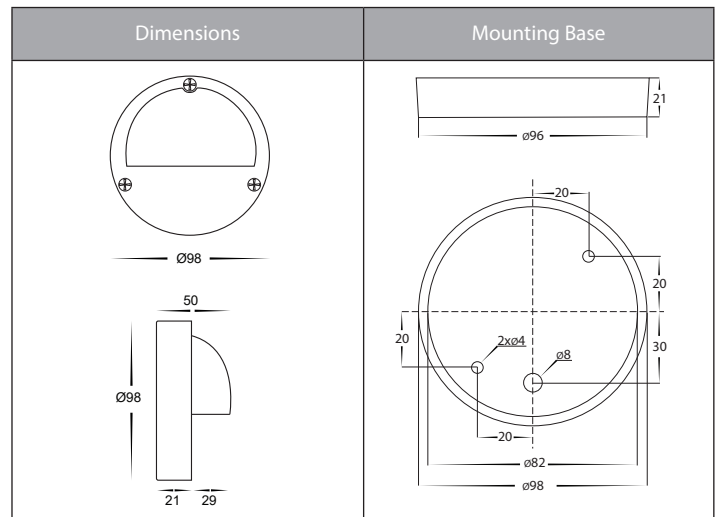
Product Specifications

| | |
|-------------------|--------------------------------|
| Name | Pinta |
| Material | Aluminium |
| Colour | Poly Powder Coated Black |
| IP Rating | IP65 |
| IK Rating | IK10 |
| Installation Type | Wall - Surface Mounted |
| Cable Length | 300mm |
| Lamp Base | G9, G4 or Built in LED |
| Max Wattage | G9 = 25w G4 = 20w |
| Protection Class | 240v = 1 (Requires Earth) |
| | 12v DC = 3 (No Earth Required) |
| Lamp Expectancy | <30,000hrs |
| Diffuser Type | Glass |
| CRI | CRI>80 |
| Dimmable | No |
| Warranty | 3 Years Replacement* |



Optional Havit Compatible Accessories

| Image | Part Number | Description |
|-------|----------------------------|---|
| | HV9511W HV9511C | G9 LED Globe Available in 2w 3000k and 5500k |
| | HV9523-3.2W HV9529-3.2W | G4 LED Globe Available in 3.2w 3000k and 5500k |
| | 12v DC LED Drivers | See Catalogue or Website for full range of 12v DC LED Drivers |
| | HV9911 | Small IP67 Weatherproof Connector |
| | HV9912 | Medium IP67 Weatherproof Connector |
| | HV9913 | Large IP67 Weatherproof Connector |



Product Ordering

| Part Number | Colour Temp | Lumens | Input Voltage | Beam Angle | Included LED | Barcode |
|----------------|-------------------------|-------------------------|---------------|------------|--|---------------|
| HV2921 | N/A | N/A | 240v AC | N/A | No Globe Supplied | 9350418002587 |
| HV2922 | N/A | N/A | 12v | N/A | No Globe Supplied | 9350418002594 |
| HV2923T | 3000k 4000k 5500k | 160lm 170lm 180lm | 240v AC | 120° | TRI Colour 2.3w Built in LED | 9350418010407 |
| HV2924T | 3000k 4000k 5500k | 160lm 170lm 180lm | 12v DC | 120° | TRI Colour 2.3w Built in LED | 9350418010414 |

*Items ordered after 01-01-2022