

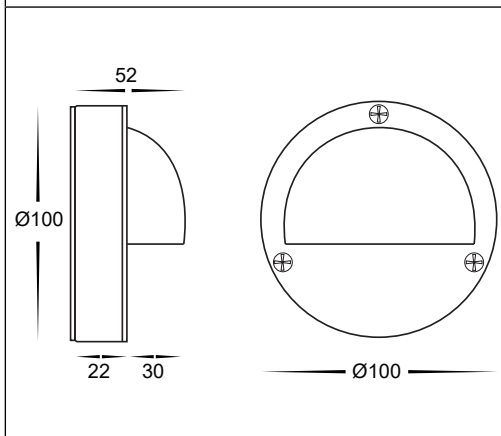
Pinta Step Light Installation Instructions



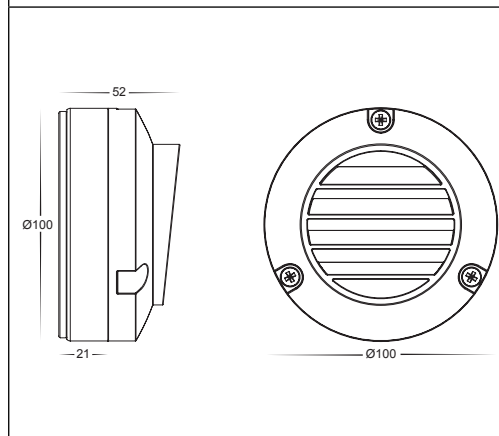
Product Specifications

Model No.	HV2901	HV2901-AB	HV2902	HV2902-AB	HV2903T	HV2903T-AB	HV2903T-BR	HV2904T	HV2904T-AB	HV2904T-BR	HV2905T-12V
Name	Pinta										
Material	316 Stainless Steel	Solid Brass	316 Stainless Steel	Solid Brass	316 Stainless Steel	Solid Brass		316 Stainless Steel	Solid Brass		316 Stainless Steel
Colour	Stainless Steel	Antique Brass	Stainless Steel	Antique Brass	Stainless Steel	Antique Brass	Brass	Stainless Steel	Antique Brass	Brass	Stainless Steel
IP Rating	IP65										
Installation Type	Wall - Surface Mounted										
Input Voltage	240v AC		12v		240v AC			12v DC - Constant Voltage			
Protection Class	1 (Requires Earth) ⊕		3 (Low Voltage) ⚡		1 (Requires Earth) ⊕			3 (Low Voltage) ⚡			
Lamp Base	G9		G4		Built in LED			Built in LED			
Lamp Wattage	Max 25w		Max 20w		1x 2.3w			1x 2.3w			
Colour Temp	No Globe Supplied		No Globe Supplied		TRI Colour - 3000k, 4000k, 5500k			TRI Colour - 3000k, 4000k, 5500k			
Lumens	N/A		N/A		160lm, 170lm, 180lm			160lm, 170lm, 180lm			
CRI	> 80										
Wiring	Parallel										
Dimmable	No										
Warranty	3 Years Replacement*										

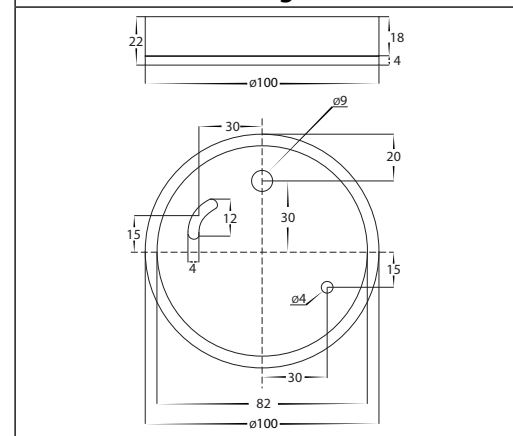
HV2901-2-3-4 Dimensions



HV2905 Dimensions



Mounting Base



Important Safety Issues:

- This product must be installed by a qualified electrician according to AS/NZS 3000.
- Ensure all electrical mains are disconnected before any installation.
- Do not exceed maximum wattage restrictions for globes: 240V G9 = 25w / 12V MR16 = 20w
- Modification of this product will void any warranty.
- Havit Lighting does not take responsibility for wrong installation, incorrect use, or use of installation material that does not belong to the system.
- When installing low voltage fittings, Voltage to fitting must be within +or- 5% of voltage required and cannot be installed more than 25m from LED Driver, if not within this allowance warranty will be voided.
- All 316 stainless steel fittings must have regular cleaning maintenance to avoid any tea staining from forming on fitting. (Warranty does not cover Tea Staining)
- All o-rings and seals must be in place correctly to maintain warranty.
- These instructions may be updated at any time due to product improvements, Please visit website for most current installation instructions.

Steps for Installation for HV2901 + HV2902 Models:

1. Make sure that the electrical circuit is free of voltage (master switch off)
2. Remove screws from front of fitting as set aside.
3. Install base plate in desired location, Seal all holes in the backing plate including cable entry and screw holes.
4. HV2901 - Use wire with earth; connect the earth first, then live and neutral wire
5. HV2902 - Using an appropriate 12v LED Driver or transformer - DO NOT CONNECT LIGHT FITTING DIRECTLY TO 240V
Connect the cable into terminal block - Positive from cable run to positive of fitting then connect the neutral - If more than one fitting installed, wiring must be done in parallel.
6. Insert globe into fitting making sure globe does not exceed maximum wattage.
7. Reattach face onto fitting making sure seals are still in place and screws are tight to avoid water penetration into fitting
8. Apply silicon around edge of fitting to prevent any water from getting inside to electrical connections.
9. All connections must be carried out carefully, inspect all contacts before switching back on the electric circuit.

Steps for Installation for HV2903 + HV2904 + HV2905 Models:

1. Make sure that the electrical circuit is free of voltage (master switch off)
2. Remove screws from front of fitting as set aside.
3. HV2903 - Use wire with earth; connect the earth first, then live and neutral wire
4. HV2904 + HV2905 - Using an appropriate 12v DC Constant Voltage LED Driver - DO NOT CONNECT LIGHT FITTING DIRECTLY TO 240V
5. Connect the cable - If more than one fitting installed, wiring must be done in parallel.
6. Strip back the cable on both fitting and cable run and (for HV2903 - twist the earth cables together first) twist the positive cables together. Then connect neutral cables together
7. Solder all joints using solder and either a heat gun or butane gas torch.
8. Cover connections using an adhesive lined heat shrink or gel cap to make connection watertight. Failure to do this will void warranty.
9. Heat the heat shrink or crimp the gel cap making sure all connections are covered.
10. Install base plate in desired location, Seal all holes in the backing plate including cable entry and screw holes.
11. Fitting is preset to 3000k, To change move switch above PCB to desired colour temperature
12. Reattach face onto fitting making sure seals are still in place and screws are tight to avoid water penetration into fitting
13. Apply silicon around edge of fitting to prevent any water from getting inside to electrical connections.
14. All connections must be carried out carefully, inspect all contacts before switching back on the electric circuit.

Must be installed by a licensed electrician

Contact Details:

143 Beauchamp Road
Matraville NSW 2036
Australia
Tel: 02 9381 8300
Fax: 02 9666 8881
Email: sales@havit.com.au
Web: www.havit.com.au

Warranty Terms & Conditions*



Additional Information

