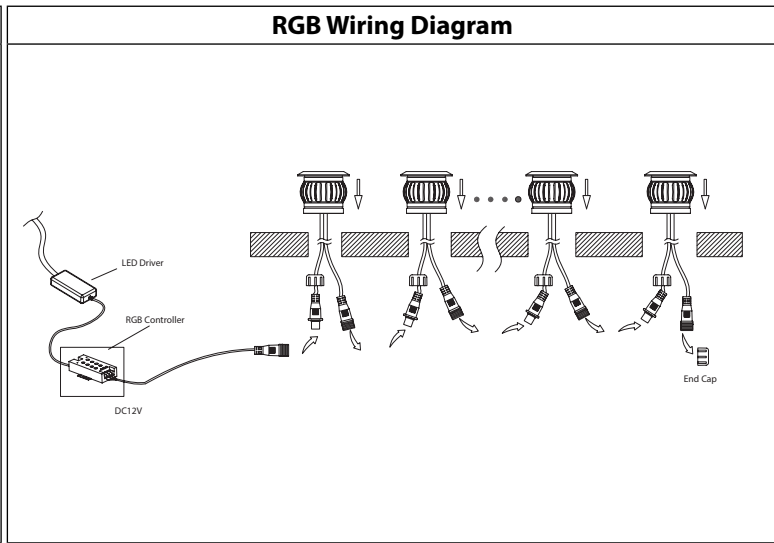
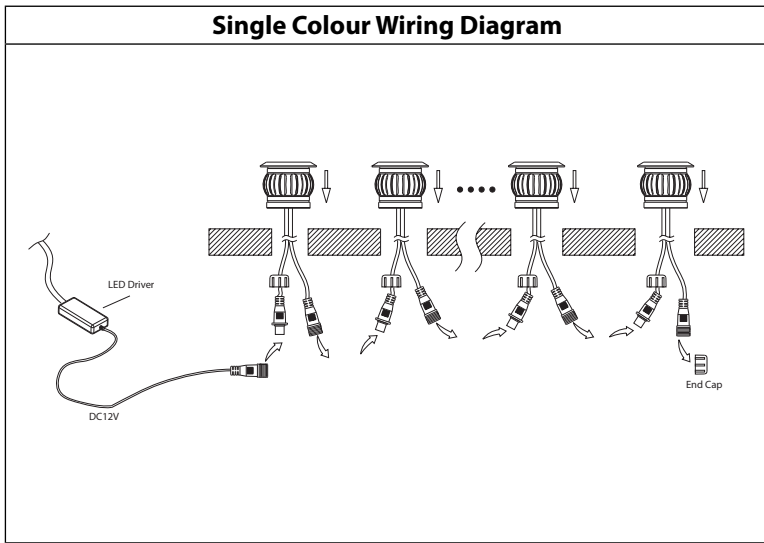
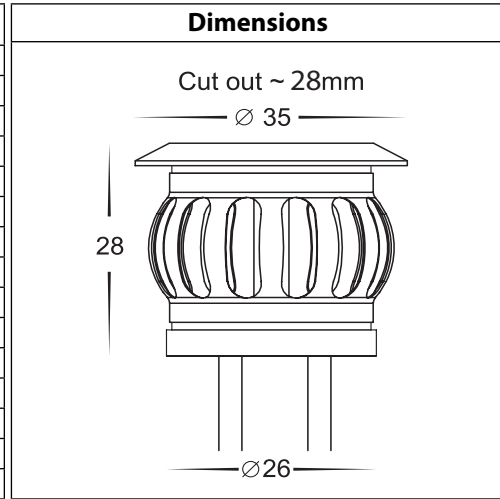


Flame Deck Light Installation Instructions



Product Specifications						
Model No.	HV2826W	HV2826C	HV2826RGB	HV28261W	HV28261C	HV28261RGB
Name	Flame					
Material	316 Stainless Steel					
Colour	Stainless Steel					
IP Rating	IP67					
Input Voltage	240V - Driver 12v DC Fittings			12V DC		
Protection Class	⚡ Driver Fitting (Low Voltage) ⚡			⚡ (Low Voltage)		
Lamp Base	Built in LED			Built in LED		
Lamp Wattage	6x 0.5w			1x 0.5w		
Colour Temp	3000k	5500k	RGB	3000k	5500k	RGB
Lumens	6x 40lm	6x 50lm	6x 25lm	40lm	50lm	25lm
CRI	> 80					
Wiring	Parallel					
Dimmable	No					
Warranty	3 Years Replacement*					



Important Safety Issues:

- This product must be installed by a qualified electrician according to AS/NZS 3000.
- Ensure all electrical mains are disconnected before any installation.
- Modification of this product will void any warranty.
- Havit Lighting does not take responsibility for wrong installation, incorrect use, or use of installation material that does not belong to the system.
- When installing low voltage fittings, Voltage to fitting must be within + or- 5% of voltage required, if not within this allowance warranty will be voided.
- All 316 stainless steel fittings must have regular cleaning maintenance to avoid any tea staining from forming on fitting. (Warranty does not cover Tea Staining)
- All o-rings and seals must be in place correctly to maintain warranty
- This form may be updated at any time due to product improvements, please check online installation form for most current version.

Steps for Installation: Single Colour Models

1. Make sure that the electrical circuit is free of voltage (master switch off)
2. Make a hole where fitting is to be placed using dimensions provided on line drawings, making sure adequate drainage is allowed.
3. Using an appropriate 12v DC LED Driver or if installing kit, use LED Driver supplied - DO NOT CONNECT LIGHT FITTING DIRECTLY TO 240V
4. Connect the cable by connecting male plug from fitting to 4 metre extension cable from LED Driver.
5. Insert fitting into hole
6. Repeat steps 4 + 5 until all fittings are installed
7. All connections must be carried out carefully, inspect all contacts before switching back on the electric circuit.

Steps for Installation: RGB Models

1. Make sure that the electrical circuit is free of voltage (master switch off)
2. Make a hole where fitting is to be placed using dimensions provided on line drawings, making sure adequate drainage is allowed.
3. Using an appropriate 12v DC LED Driver or if installing kit, use LED Driver supplied - DO NOT CONNECT LIGHT FITTING DIRECTLY TO 240V
4. Connect RGB Controller to LED Driver
5. Connect the cable by connecting male plug from fitting to 4 metre extension cable from RGB Controller.
6. Insert fitting into hole
7. Repeat steps 5 + 6 until all fittings are installed
8. All connections must be carried out carefully, inspect all contacts before switching back on the electric circuit.

Must be installed by a licensed electrician

Contact Details:

143 Beauchamp Road
 Matraville NSW 2036
 Australia

Tel: 02 9381 8300
 Fax: 02 9666 8881
 Email: sales@havit.com.au
 Web: www.havit.com.au

Warranty Terms & Conditions*

Additional Information