

Split SS316 TRI Colour LED Inground Uplighter

PRODUCT SPECIFICATIONS

Name	Split
Material	316 Stainless Steel
Colour	Stainless Steel
IP Rating	IP67
Lamp Base	Built in LED
CRI	> 80
IK Rating	IK10
Trafficable	1000kg
Wiring	Parallel
Dimmable	No
Warranty	3 Years Replacement



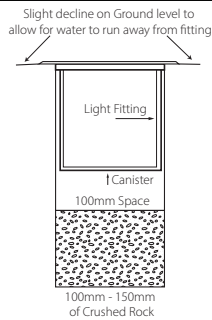
COLOUR TEMP

IP RATING

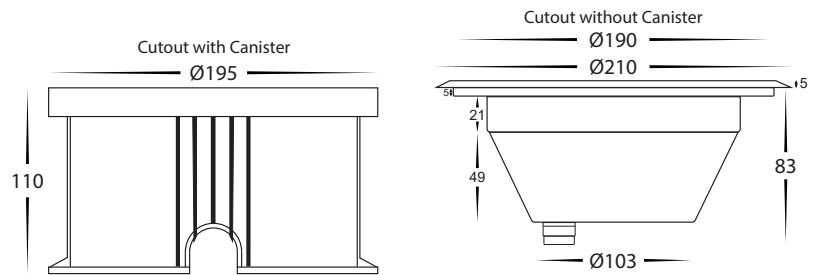
APPROVAL

<p>Tri-Colour By Havit</p> <p>3000K</p> <p>4000K</p> <p>5500K</p>		
---	--	--

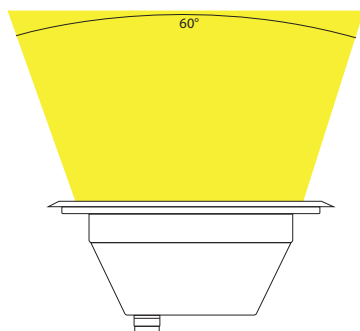
SAMPLE ADEQUATE DRAINAGE DIAGRAM



DIMENSIONS



LIGHT DISTRIBUTION



SAMPLE WIRING DIAGRAM

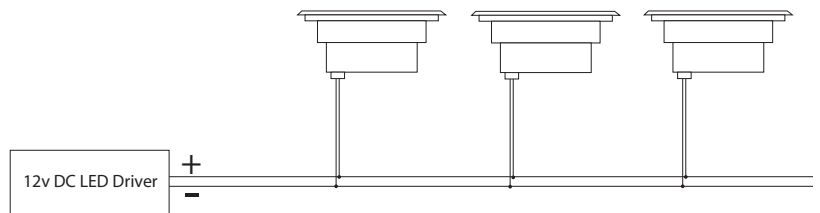


IMAGE	PART NUMBER	COLOUR TEMP	LUMENS	INPUT VOLTAGE	BEAM ANGLE	INCLUDED LED
	HV1843T	3000k 4000k 5500k	900lm 1030lm 1200lm	12v DC	60°	TRI Colour Built in 12w LED
	HV1843-F-SH					Security face with screw holes to suit HV1843T

For More Information Contact Havit Lighting

143 Beauchamp Road
Matraville NSW 2036
Australia

Tel: 02 9381 83000
Fax: 02 9666 888
Email: sales@havit.com.au
Web: www.havit.com.au



Warranty Terms & Conditions



Additional Information