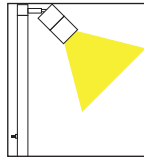
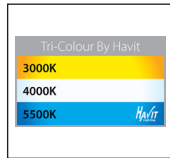
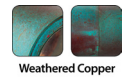


Tivah Solid Copper Single Adjustable Garden Spot Light



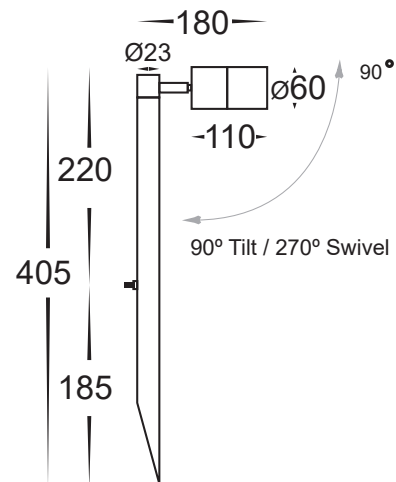
Product Specifications

Name	Tivah
Material	Solid Copper
Colour	Copper - Will age over time
IP Rating	IP65
Installation Type	Ground - Spike
Lamp Base	MR16
Max Wattage	20w MR16
Lamp Expectancy	<30,000hrs
Diffuser Type	Clear Glass
Cable Length	2000mm
CRI	CRI>80
Dimmable	No - Not with supplied globes
Warranty	3 Years Replacement*



Optional Havit Compatible Accessories

Image	Part Number	Colour Temp	Input Voltage	Beam Angle	Included LED
	HV9559W	2700k	12v DC	20° 40° 60°	6w MR16 LED
	HV9507	3000k 4000k 5500k	12v DC	60°	TRI Colour 3/5/7w MR16 LED
	HV9508	3000k 4000k 5500k	24v DC	60°	TRI Colour 3/5/7w MR16 LED
	12v DC LED Drivers	See Catalogue or Website for full range of 12v DC LED Drivers			



Product Ordering

Part Number	Colour Temp	Lumens	Input Voltage	Beam Angle	Included LED	Barcode
HV1413T	3000k 4000k 5500k	270lm 285lm 300lm	12v DC	120°	TRI Colour 5w MR16 LED	9350418015815

*Items ordered after 01-01-2022