

Eden Solid Copper Garden Spike Light

PRODUCT SPECIFICATIONS

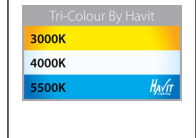
Name	Eden
Material	Solid Copper
Colour	Copper (will age over time)
IP Rating	IP65
Lamp Base	MR16
CRI	> 80
Spike Length	245mm
Cable Length	2 Metres
Wiring	Parallel
Dimmable	No - not with supplied globes
Warranty	2 Years Replacement



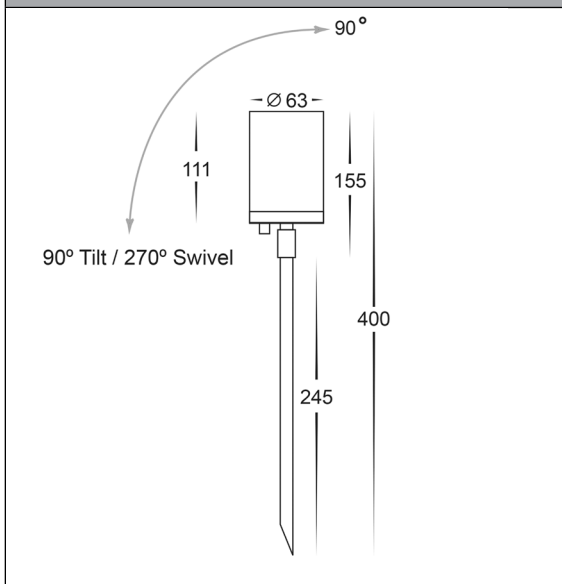
COLOUR TEMP

IP RATING

APPROVAL



DIMENSIONS



COMPATIBLE WITH

Adjustable Beam Angle
HV9559W



9in1 12v or 24v DC
HV9507 (12v) / HV9508 (24v)



SUITABLE 12V DC LED DRIVERS



HV9654



HV9653

The drivers above are suggestions only, Factors to consider are total load, run length and cable size. For more information contact Havit Sales Office or Sales Representative

PART NUMBER	COLOUR TEMP	LUMENS	INPUT VOLTAGE	BEAM ANGLE	INCLUDED LED
HV1412T	3000K 4000K 5500K	270lm 285lm 300lm	12v DC	120°	TRI Colour 5w MR16 LED

Must be used with a suitable 12v DC LED Driver

For More Information Contact Havit Lighting

143 Beauchamp Road
Matraville NSW 2036
Australia

Tel: 02 9381 83000
Fax: 02 9666 888
Email: sales@havit.com.au
Web: www.havit.com.au



Warranty Terms & Conditions



Additional Information