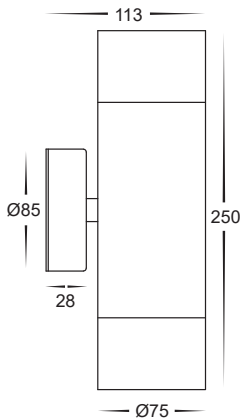


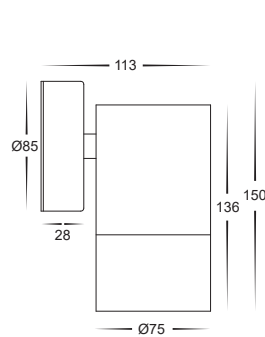
## Product Specifications

Model No.	HV1008T	HV1028T	HV1108T	HV1128T	HV1208T	HV1228T
Name	Maxi Tivah					
Material	316 Stainless Steel	Aluminium		Aluminium		Aluminium
Colour	Stainless Steel	Black	Stainless Steel	Black	Stainless Steel	Black
IP Rating	IP65					
Protection Class	1 (240v Requires Earth) ⚠					
Input Voltage	240v AC					
Lamp Base	Built in LED					
Lamp Wattage	2x 12w		1x 12w		1x 12w	
Colour Temp	TRI Colour - 3000k, 4000k, 5500k		TRI Colour - 3000k, 4000k, 5500k		TRI Colour - 3000k, 4000k, 5500k	
Lumens	2x 1100lm, 2x 1150lm, 2x 1200lm		1100lm, 1150lm, 1200lm		1100lm, 1150lm, 1200lm	
CRI	> 80					
Wiring	Parallel					
Dimmable	No					
Warranty	3 Years Replacement*					

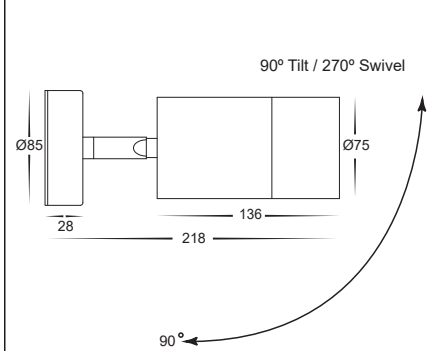
**HV1008T + HV1028T**



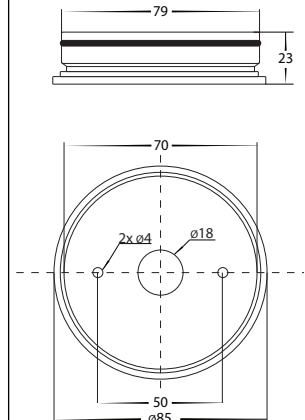
**HV1108T + HV1128T**



**HV1208T + HV1228T**



**Mounting Base Dimensions**



## Important Safety Issues:

- This product must be installed by a qualified electrician according to AS/NZS 3000.
- Ensure all electrical mains are disconnected before any installation.
- Modification of this product will void any warranty.
- Havit Lighting does not take responsibility for wrong installation, incorrect use, or use of installation material that does not belong to the system.
- Aluminium and 304SS fittings must not be installed within 5km of any salt water environments.
- All o-rings and seals must be in place correctly to maintain warranty
- This form may be updated at any time due to product improvements, please check online installation form for most current version.

## Steps for Installation:

1. Make sure that the electrical circuit is free of voltage (master switch off)
2. Loosen allen screws on side of baseplate.
3. Remove base plate from fitting.
4. Install base plate to wall in desired location using appropriate screws for application.
5. Seal all holes including cable entry and around screws
6. Connect the cable - use wire with earth; connect the earth first, then live and neutral wire.
7. Reattach fitting to base plate making sure screws are tight to avoid any water penetration.
8. Fitting is preset to 3000k, to change remove cap by twisting anti clockwise and set aside
9. Slide switch to desired colour temperature
10. Reattach cap by twisting clockwise making sure it is tight to avoid any water penetration.
11. Apply silicon around edge of fitting to prevent any water from getting inside to electrical connections.
12. All connections must be carried out carefully, inspect all contacts before switching back on the electric circuit.

## Must be installed by a licensed electrician

### Contact Details:

143 Beauchamp Road  
Matraville NSW 2036  
Australia

Tel: 02 9381 8300  
Fax: 02 9666 8881  
Email: sales@havit.com.au  
Web: www.havit.com.au

### Warranty Terms & Conditions\*



### Additional Information

