

Connection Enclosure

Features

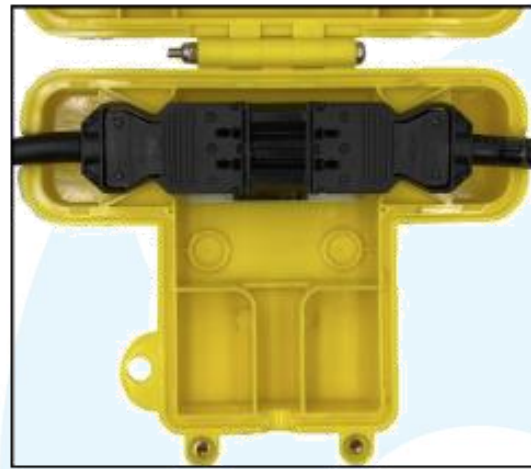
- The Connection Enclosure has been designed to prevent the unauthorised disconnection of all Smart Safety Lighting connections.
- The enclosure is secured closed using security screws, only providing entry to authorised personnel.
- Designed to comply with draft standard Dr AS/NZS3012:2018 (2.7.1)



The Connection Enclosure will support both types of connections:



T Connection



Straight Connection

- Made from impact resistant polycarbonate plastic.
- Padlock loop provided.
- Compact design
- High visibility yellow

Eco Smart Lighting Pty Ltd

6 Sydenham Road
Marrickville NSW 2204
Sydney Australia

P.O. Box 845 Marrickville NSW 2204
Ph: +612 9517 2701 **Fax:** +612 9517 3173
Email: info@ecosmartlighting.com.au