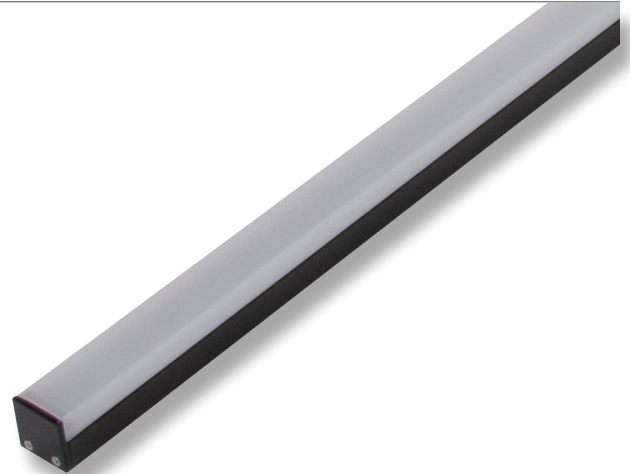




BLOC-20 LED Mounting Profile

Description

Introducing the BLOC-20 LED mounting profile system. The BLOC-20 is specifically designed for the Domus range of LED strip lighting. This aluminium mounting profile system incorporated extruded profile complete with a square opal colour PMMA diffuser. The key features of the BLOC-20 is the ability to not only conceal the LED strip lighting but also keep the strip lighting linear. Also, the BLOC-20 keeps LEDs free from foreign objects and vapours which may damage the LEDs. The finishing of this product is a perfect complement to any area where discrete lighting is required. Applications include lounge rooms, dining areas, bathrooms, storage areas, shelving or any other architectural application.



Specification Features

Installation:	Surface, wall or suspended mounted
Material:	Extruded aluminium 6063
Finish:	Natural clear anodised
Diffuser:	Square (PMMA) Opal colour
Length (mm):	2500mm continuous*
Size (mm):	(W) 19.8mm (H) 19.6mm
Accessories (each):	End caps (anodised), wire suspensions and mounting clips**
Special:	Custom powder coated colour upon request***
Driver Installation:	Remote driver required (not included)

* Profile sold per meter. Can be cut to suit any length.
 ** Accessories to be ordered separately.
 *** Special powder coat finishes upon request. Surcharges apply.



Brushed Aluminium Finish



White Finish

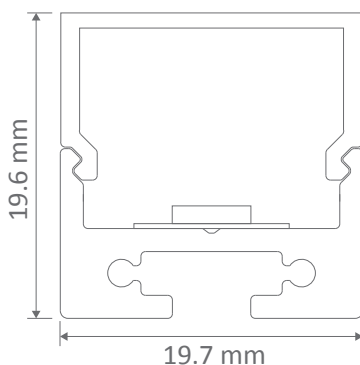
Compatible PLEX LED Strip

7.2	14.4	19.2
•	•	•



Suspension Kit

Diagrams / Additional



Item No.	Variant			Details
	Alu	Blk	Wht	
BLOC-20	22010	22068	22069	Sold per 1 metre 2 metres standard height, sold individually
SUSP-KIT		22041		