

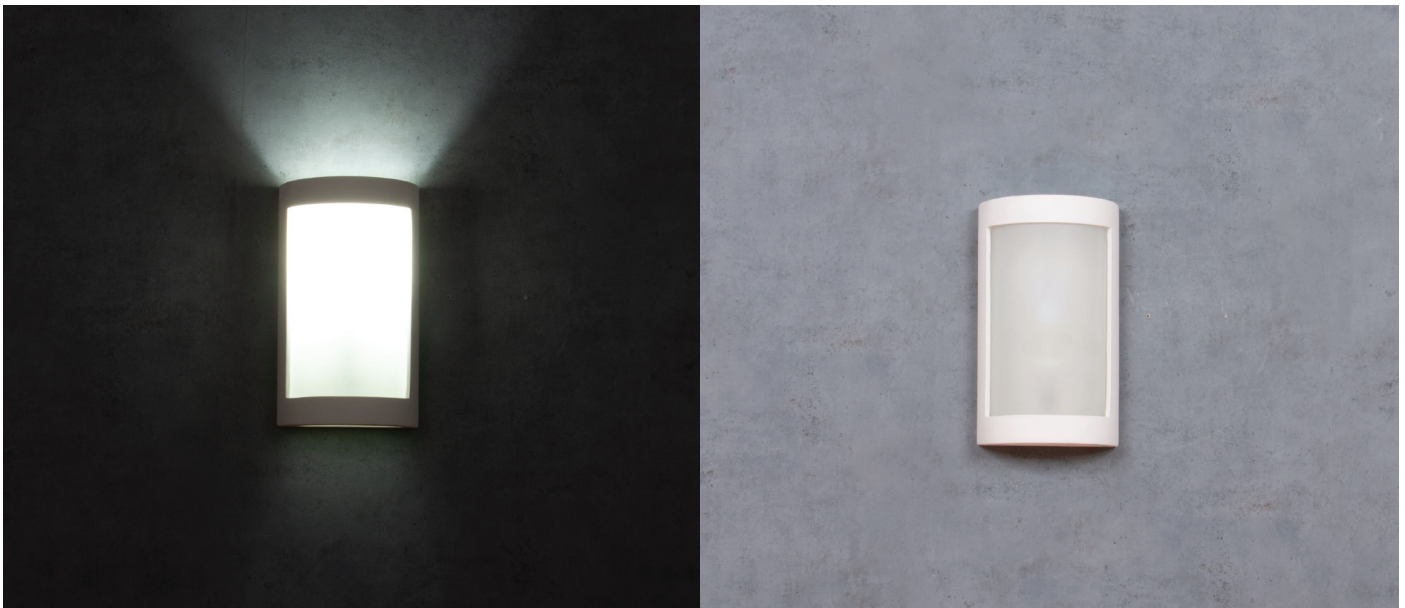


## BF-8202

### Ceramic Wall Uplight

#### Description

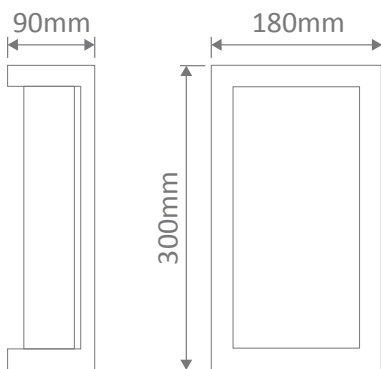
Raw ceramic wall light complete with frosted glass. Ceramic areas can be painted with any water based paint. Made in Italy. Raw Ceramic.



#### Specification Features

Input Voltage: 240V  
 Power (W): 60W  
 Lifespan (hrs): 50,000hrs  
*Requires 1xE27 Lamp*

#### Diagrams / Additional



Item No.	Variant	Colour
BF-8202	11110	Raw Ceramic