

## BF-2601B Ceramic Wall Uplight



### Description

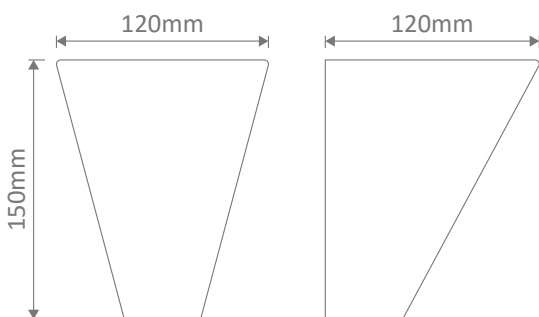
Raw ceramic modern uplight wall light. Ceramic areas can be painted with any water based paint.. Made in Italy. Raw Ceramic Requires : 1 x G9 lamp



### Specification Features

Input Voltage: 240V  
 Power (W): 60W  
 Lifespan (hrs): 50,000hrs  
*Requires 2xG9 Lamp*

### Diagrams / Additional



Item No.	Variant	Colour
BF-2601B	11083	Raw Ceramic