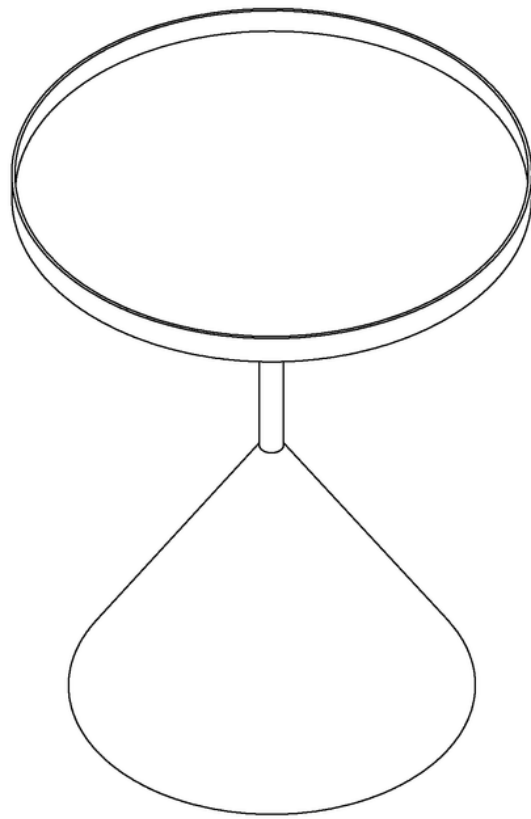


Seek & Ramble

LLOYD SIDE TABLE



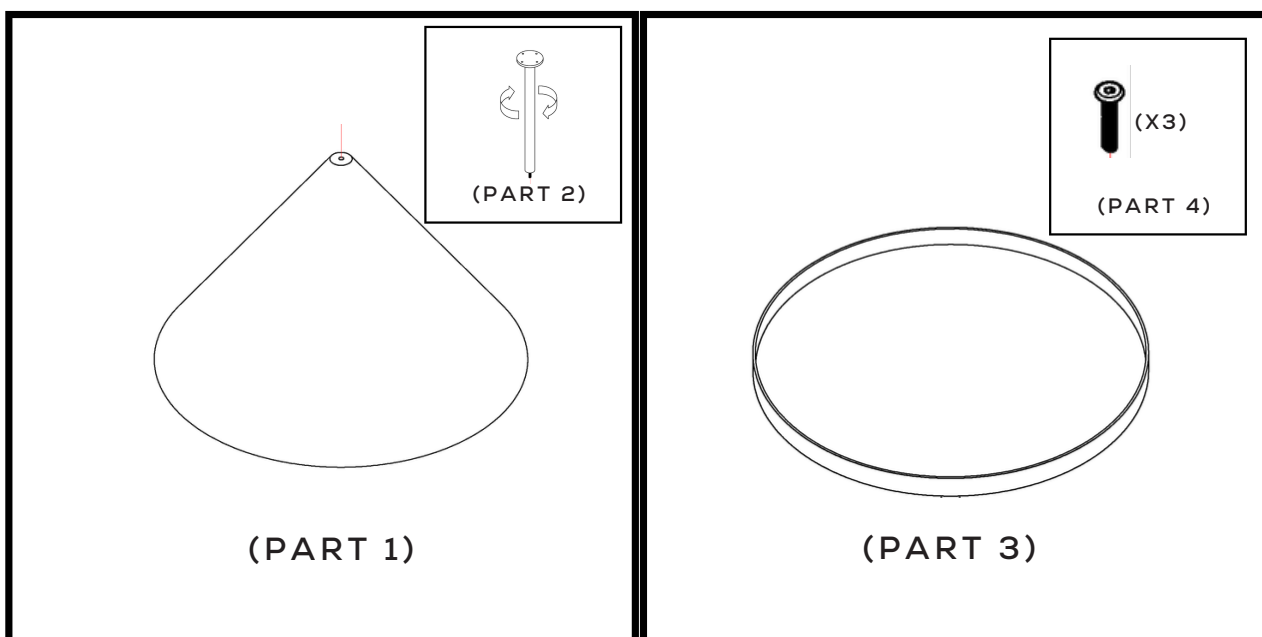
ASSEMBLY GUIDE



Seek & Ramble

CONTENTS

PART LIST



WE WANT TO BE KINDER TO THE ENVIRONMENT. THAT IS WHY WE HAVE CHOSEN TO USE LITTLE TO NO PLASTIC.

PLEASE REUSE OR RECYCLE ALL CARDBOARD PACKAGING.



DESIGNED & IMPORTED BY REAL ROGUE IMPORTS FOR
SEEK & RAMBLE

Seek & Ramble

ASSEMBLY STEPS

ENSURE YOU PLACE A RUG OR PROTECTIVE SURFACE DOWN TO COMPLETE ASSEMBLY. PROTECT THE FLOOR AND THE PRODUCT FINISHES.

STEP 1

LAY OUT ALL PARTS. LEAVE THE TOP WRAPPED AND PUT IT SAFELY ASIDE. IT WILL BE THE LAST PIECE USED.

STEP 2

PLACE THE BASE (PART 1) SECURELY ON THE FLOOR

STEP 3

SCREW THE CONNECTOR (PART 2) INTO THE BASE (PART 1)

NOTE - ENSURE TO LINE UP THE CONNECTOR THREAD TO THE BASE BEFORE TIGHTENING TO AVOID THREADING THE CONNECTOR

STEP 4

CAREFULLY UNWRAP THE TOP (PART 3) AND PLACE IT FACE DOWN ON THE FLOOR (USE A BLANKET OR MAT TO PROTECT THE FLOOR AND THE TABLETOP)

LINE UP THE THREAD HOLES TO THE CONNECTOR HEAD (PART 2) AND TIGHTEN THE SCREWS (PART 4)

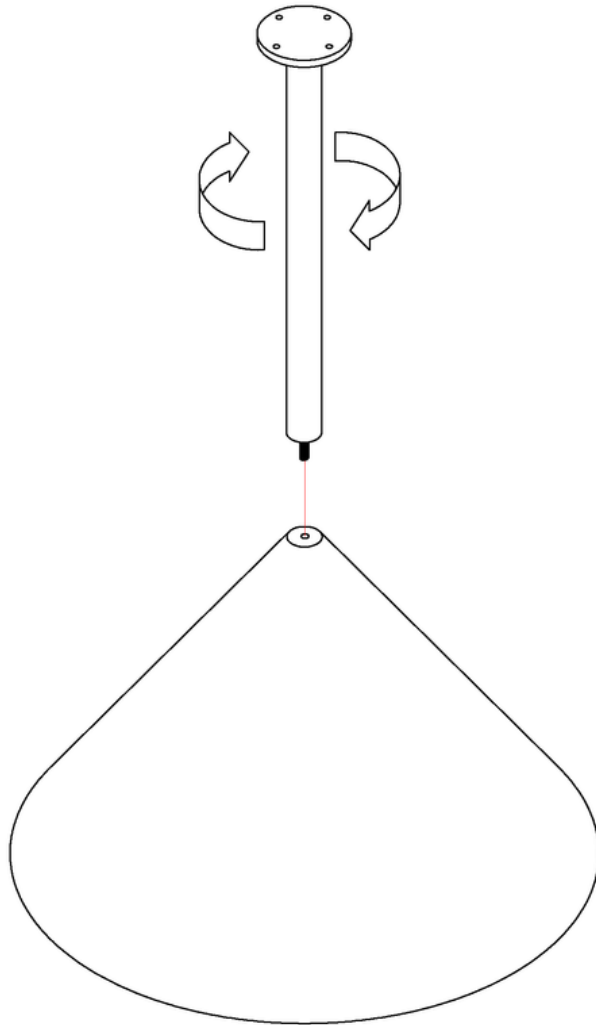
STEP 5

PLACE THE TABLE INTO POSITION AND STYLE IT WITH YOUR FAVOURITE TREASURES OR DÉCOR PIECES.



Seek & Ramble

ASSEMBLY STEPS



STAND THE BASE (PART 1) ON A STABLE FLOOR.
SCREW THE CONNECTOR (PART 2) INTO THE BASE (PART 1)

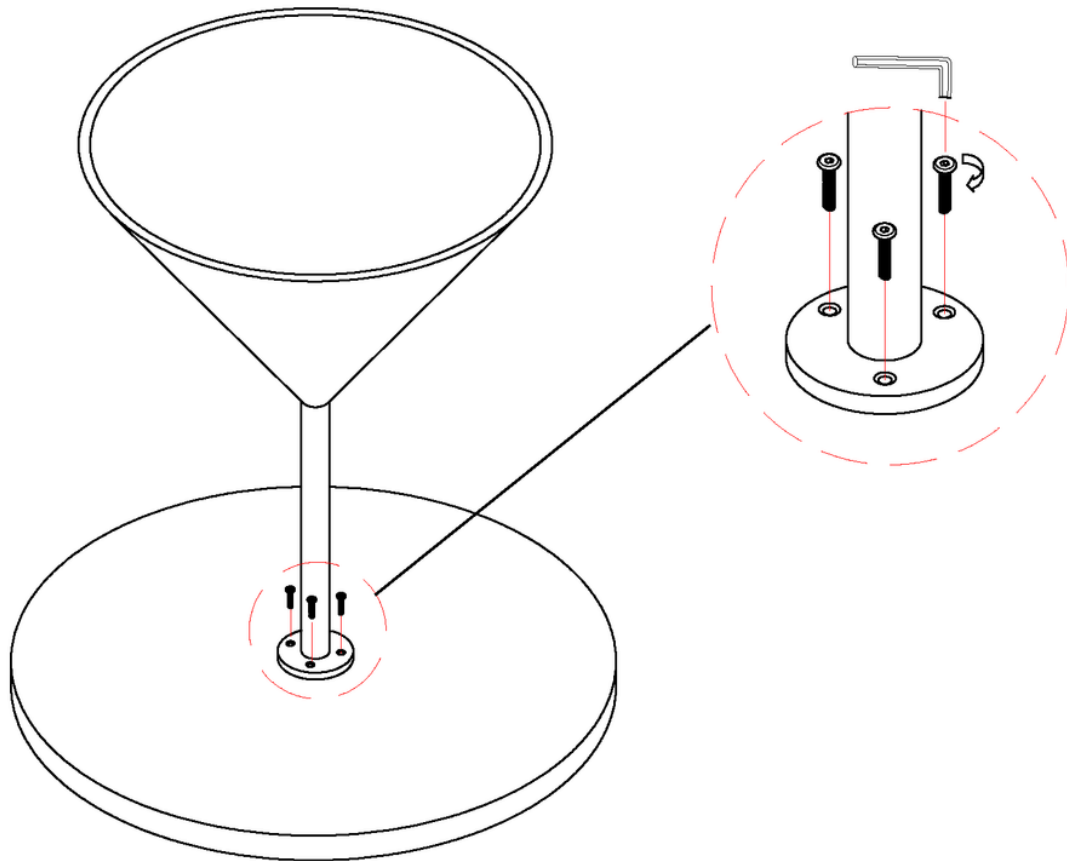
NOTE: CAREFULLY ALIGN THE THREAD TO THE BASE BEFORE TIGHTENING



DESIGNED & IMPORTED BY REAL ROGUE IMPORTS FOR
SEEK & RAMBLE

Seek & Ramble

ASSEMBLY STEPS



CAREFULLY UNWRAP THE TOP (PART 3) AND PLACE IT FACE DOWN ON THE FLOOR (USE A BLANKET OR MAT TO PROTECT THE FLOOR AND THE TABLETOP)

LINE UP THE THREAD HOLES TO THE CONNECTOR HEAD (PART 2) AND TIGHTEN THE SCREWS (PART 4)

NOTE: DO NOT FULLY TIGHTEN SCREWS UNTIL ALL SCREWS ARE IN POSITION.



DESIGNED & IMPORTED BY REAL ROGUE IMPORTS FOR
SEEK & RAMBLE

Seek & Ramble

CARE TIPS

NOTE - USE NON-ABRASIVE FURNITURE CLEANERS TO ENSURE YOUR TABLE RECEIVES THE BEST CARE.

- ALWAYS READ THE LABEL OF CLEANING PRODUCTS TO ENSURE SUITABILITY BEFORE USING.
- SPILLS SHOULD BE SOAKED UP IMMEDIATELY WITH A CLEAN, ABSORBENT SOFT CLOTH OR PAPER TOWEL.
- MILD CLEANING PRODUCTS CAN BE SAFELY APPLIED TO THE METAL'S SURFACE. JUST BE SURE TO WIPE THE SOLUTION WITH A CLEAN, SOFT CLOTH.
- DO NOT PLACE SHARP OBJECTS ATOP YOUR METAL TABLE.
- AVOID PUTTING ACIDIC MATERIAL, SUCH AS LEMON JUICE, ONTO YOUR TABLETOP.

TIP - CHECK THE TOP AND BASE REGULARLY AND RETIGHTEN IF NECESSARY.



DESIGNED & IMPORTED BY REAL ROGUE IMPORTS FOR
SEEK & RAMBLE