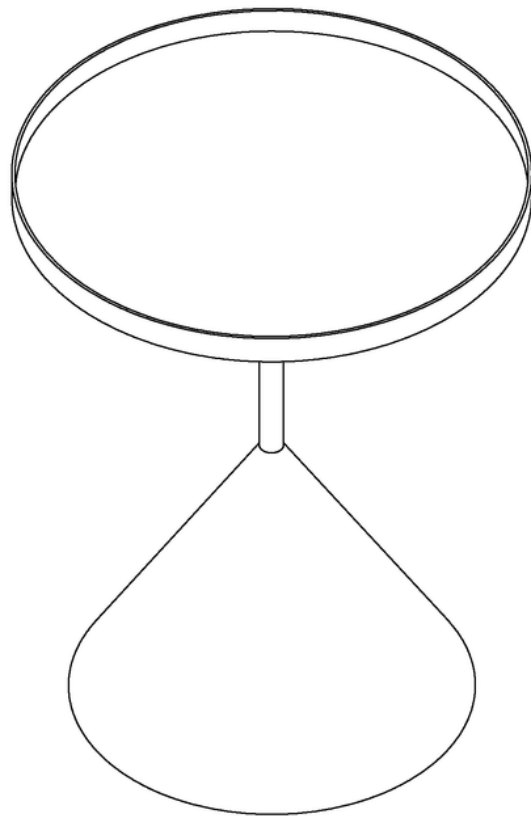


Seek & Ramble

LLOYD
COFFEE TABLE



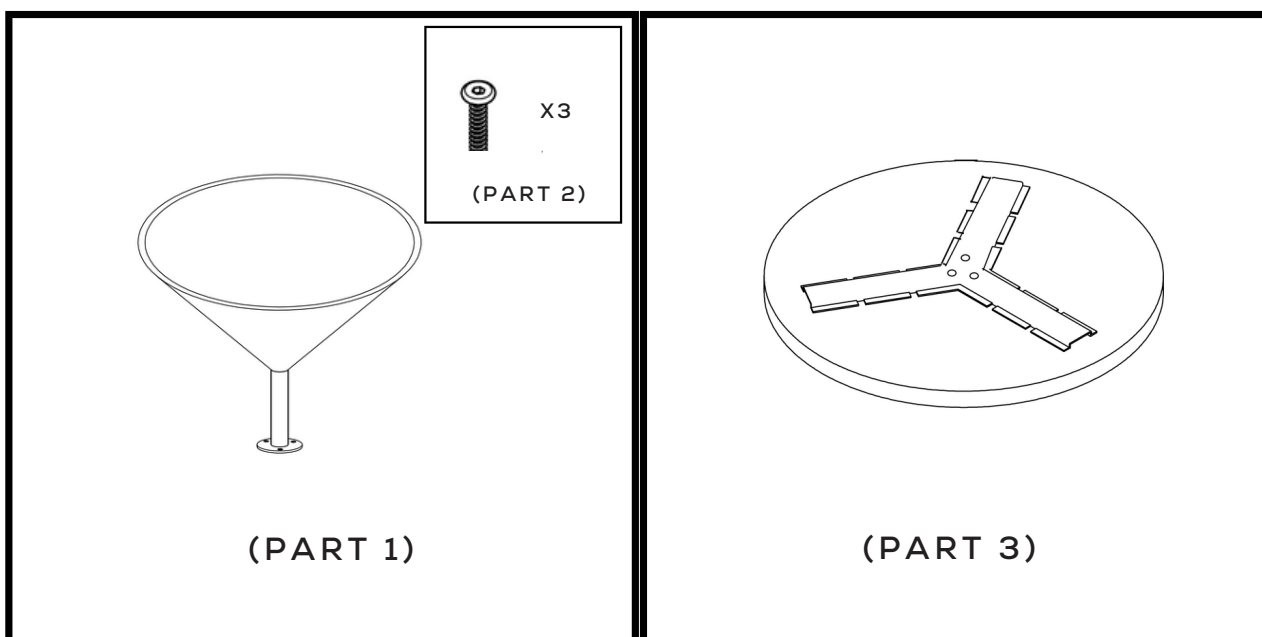
ASSEMBLY
GUIDE



Seek & Ramble

CONTENTS

PART LIST



WE WANT TO BE KINDER TO THE ENVIRONMENT. THAT IS WHY WE HAVE CHOSEN TO USE LITTLE TO NO PLASTIC.

PLEASE REUSE OR RECYCLE ALL CARDBOARD PACKAGING.



DESIGNED & IMPORTED BY REAL ROGUE IMPORTS FOR
SEEK & RAMBLE

Seek & Ramble

ASSEMBLY STEPS

ENSURE YOU PLACE A RUG OR PROTECTIVE SURFACE DOWN TO COMPLETE ASSEMBLY. PROTECT THE FLOOR AND THE PRODUCT FINISHES.

STEP 1

PLACE THE TOP (PART 3) FACE DOWN ON THE FLOOR

STEP 2

LINE UP THE TOP OF THE BASE PLATE (PART 1) TO THE HOLES IN THE TOP (PART 3)

STEP 3

INSERT THE SCREWS (PART 2) AND TIGHTEN

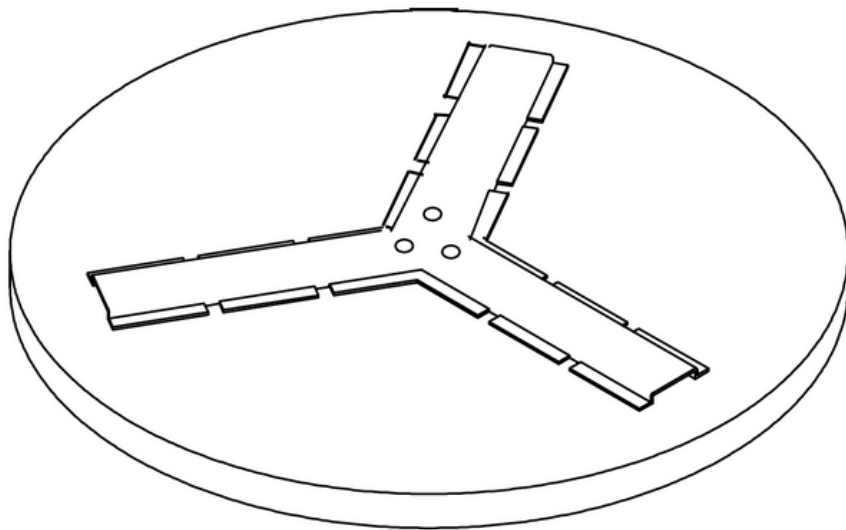
STEP 4

PLACE THE TABLE INTO POSITION AND STYLE IT WITH YOUR FAVOURITE TREASURES OR DÉCOR PIECES.



Seek & Ramble

ASSEMBLY STEPS



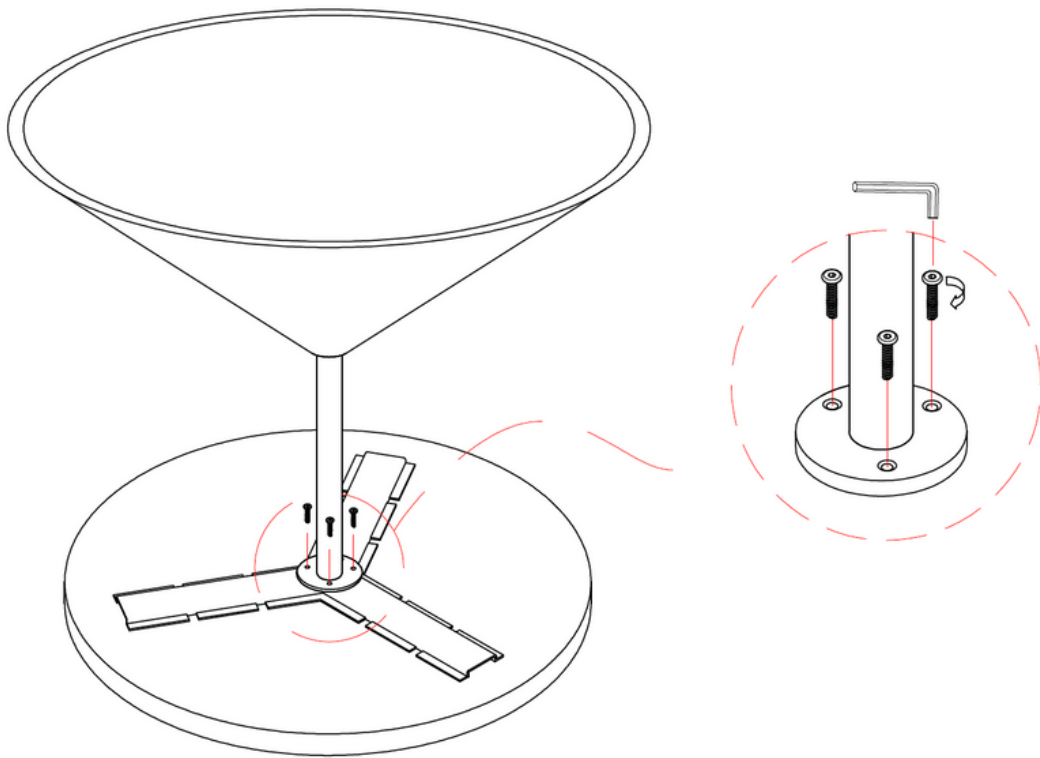
PLACE THE TOP (PART 3) FACE DOWN ON THE FLOOR



DESIGNED & IMPORTED BY REAL ROGUE IMPORTS FOR
SEEK & RAMBLE

Seek & Ramble

ASSEMBLY STEPS



LINE UP THE TOP OF THE BASE PLATE (PART 1) TO THE HOLES IN THE TOP (PART 3)

INSERT THE SCREWS (PART 2) AND TIGHTEN



DESIGNED & IMPORTED BY REAL ROGUE IMPORTS FOR
SEEK & RAMBLE

Seek & Ramble

CARE TIPS

NOTE - USE NON-ABRASIVE FURNITURE CLEANERS TO ENSURE YOUR TABLE RECEIVES THE BEST CARE.

- ALWAYS READ THE LABEL OF CLEANING PRODUCTS TO ENSURE SUITABILITY BEFORE USING.
- SPILLS SHOULD BE SOAKED UP IMMEDIATELY WITH A CLEAN, ABSORBENT SOFT CLOTH OR PAPER TOWEL.
- MILD CLEANING PRODUCTS CAN BE SAFELY APPLIED TO THE METAL'S SURFACE. JUST BE SURE TO WIPE THE SOLUTION WITH A CLEAN, SOFT CLOTH.
- DO NOT PLACE SHARP OBJECTS ATOP YOUR METAL TABLE.
- AVOID PUTTING ACIDIC MATERIAL, SUCH AS LEMON JUICE, ONTO YOUR TABLETOP.

TIP - CHECK THE TOP AND BASE REGULARLY AND RETIGHTEN IF NECESSARY.



SCAN FOR MORE PRODUCT INFO



DESIGNED & IMPORTED BY REAL ROGUE IMPORTS FOR
SEEK & RAMBLE