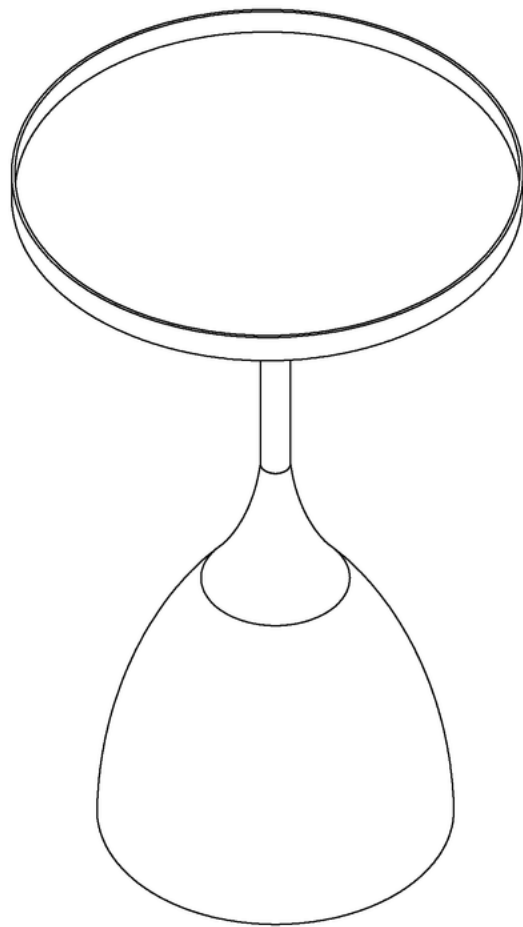


# Seek & Ramble

HARRISON  
SIDE TABLE  
BLACK



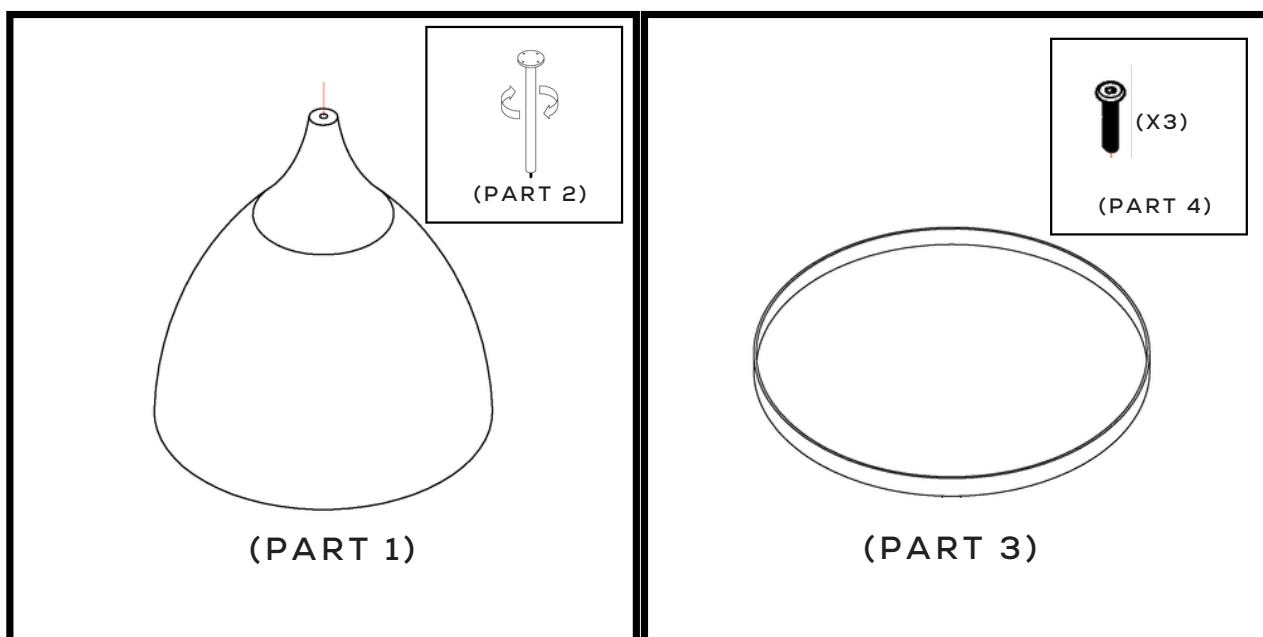
ASSEMBLY  
GUIDE



# Seek & Ramble

## CONTENTS

### PART LIST



WE WANT TO BE KINDER TO THE ENVIRONMENT. THAT IS WHY WE HAVE CHOSEN TO USE LITTLE TO NO PLASTIC.

PLEASE REUSE OR RECYCLE ALL CARDBOARD PACKAGING.



DESIGNED & IMPORTED BY REAL ROGUE IMPORTS FOR  
SEEK & RAMBLE

# Seek & Ramble

## ASSEMBLY STEPS

ENSURE YOU PLACE A RUG OR PROTECTIVE SURFACE DOWN TO COMPLETE ASSEMBLY. PROTECT THE FLOOR AND THE PRODUCT FINISHES.

### STEP 1

LAY OUT ALL PARTS. LEAVE THE TOP WRAPPED AND PUT IT SAFELY ASIDE. IT WILL BE THE LAST PIECE USED.

### STEP 2

PLACE THE BASE (PART 1) SECURELY ON THE FLOOR

### STEP 3

SCREW THE CONNECTOR (PART 2) INTO THE BASE (PART 1)

NOTE - ENSURE TO LINE UP THE CONNECTOR THREAD TO THE BASE BEFORE TIGHTENING TO AVOID THREADING THE CONNECTOR

### STEP 4

CAREFULLY UNWRAP THE TOP (PART 3) AND PLACE IT FACE DOWN ON THE FLOOR (USE A BLANKET OR MAT TO PROTECT THE FLOOR AND THE TABLETOP)

LINE UP THE THREAD HOLES TO THE CONNECTOR HEAD (PART 2) AND TIGHTEN THE SCREWS (PART 4)

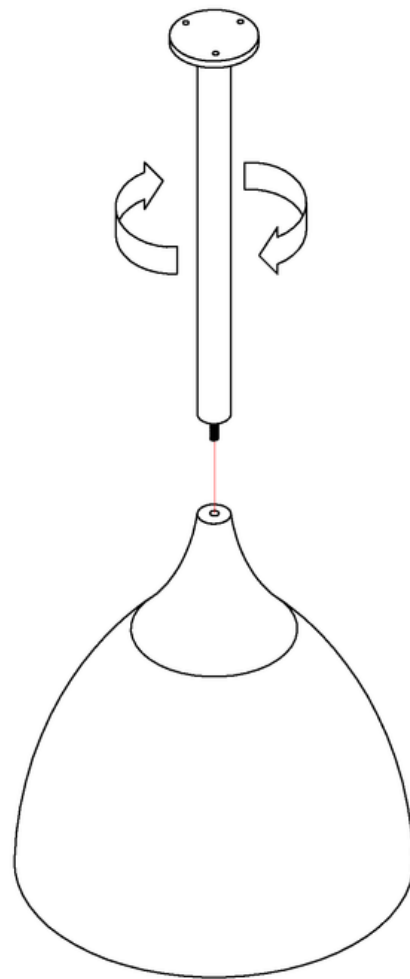
### STEP 5

PLACE THE TABLE INTO POSITION AND STYLE IT WITH YOUR FAVOURITE TREASURES OR DÉCOR PIECES.



# Seek & Ramble

## ASSEMBLY STEPS



STAND THE BASE (PART 1) ON A STABLE FLOOR.  
SCREW THE CONNECTOR (PART 2) INTO THE BASE (PART 1)

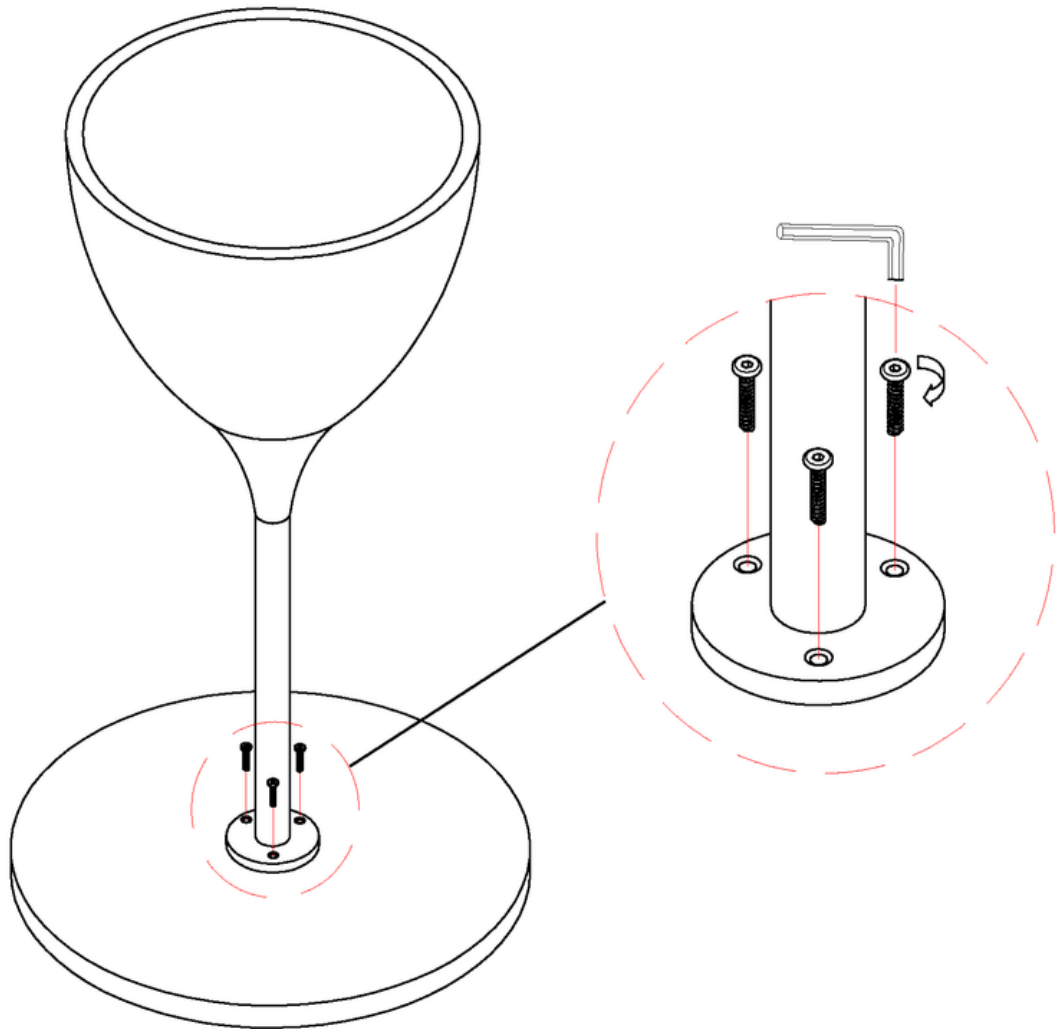
NOTE: CAREFULLY ALIGN THE THREAD TO THE BASE BEFORE TIGHTENING



DESIGNED & IMPORTED BY REAL ROGUE IMPORTS FOR  
SEEK & RAMBLE

# Seek & Ramble

## ASSEMBLY STEPS



CAREFULLY UNWRAP THE TOP (PART 3) AND PLACE IT FACE DOWN ON THE FLOOR (USE A BLANKET OR MAT TO PROTECT THE FLOOR AND THE TABLETOP)

LINE UP THE THREAD HOLES TO THE CONNECTOR HEAD (PART 2) AND TIGHTEN THE SCREWS (PART 4)

*NOTE: DO NOT FULLY TIGHTEN SCREWS UNTIL ALL SCREWS ARE IN POSITION.*



DESIGNED & IMPORTED BY REAL ROGUE IMPORTS FOR  
SEEK & RAMBLE

# Seek & Ramble

## CARE TIPS

NOTE - USE NON-ABRASIVE FURNITURE CLEANERS TO ENSURE YOUR TABLE RECEIVES THE BEST CARE.

- ALWAYS READ THE LABEL OF CLEANING PRODUCTS TO ENSURE SUITABILITY BEFORE USING.
- SPILLS SHOULD BE SOAKED UP IMMEDIATELY WITH A CLEAN, ABSORBENT SOFT CLOTH OR PAPER TOWEL.
- MILD CLEANING PRODUCTS CAN BE SAFELY APPLIED TO THE METAL'S SURFACE. JUST BE SURE TO WIPE THE SOLUTION WITH A CLEAN, SOFT CLOTH.
- DO NOT PLACE SHARP OBJECTS ATOP YOUR METAL TABLE.
- AVOID PUTTING ACIDIC MATERIAL, SUCH AS LEMON JUICE, ONTO YOUR TABLETOP.

TIP - CHECK THE TOP AND BASE REGULARLY AND RETIGHTEN IF NECESSARY.



SCAN FOR MORE PRODUCT INFO



DESIGNED & IMPORTED BY REAL ROGUE IMPORTS FOR  
SEEK & RAMBLE