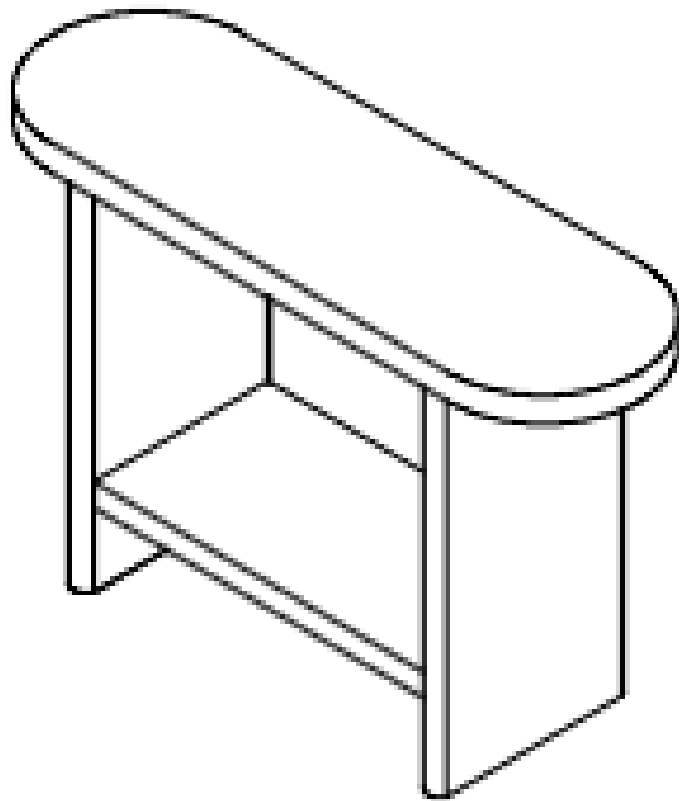


Seek & Ramble

DELOS CONSOLE
TABLE



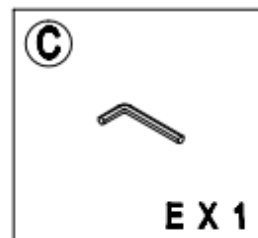
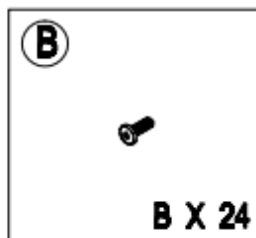
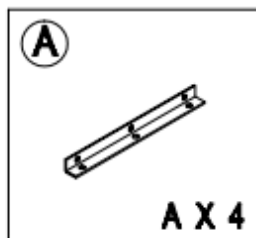
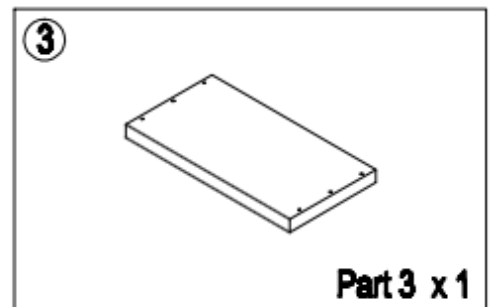
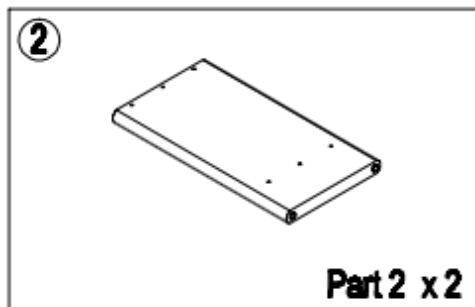
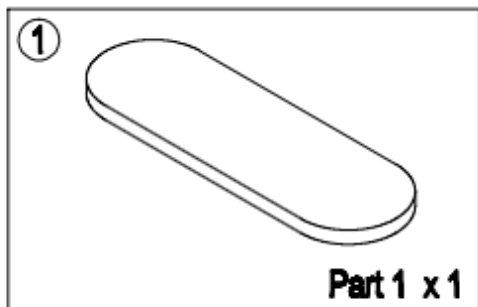
ASSEMBLY
GUIDE



Seek & Ramble

WE RECOMMEND SHARING THE ASSEMBLY
WITH A SECOND PERSON

CONTENTS



WE WANT TO BE KINDER TO THE
ENVIRONMENT. THAT IS WHY WE HAVE
CHOSEN TO USE LITTLE TO NO PLASTIC.

PLEASE REUSE OR RECYCLE ALL
CARDBOARD PACKAGING.

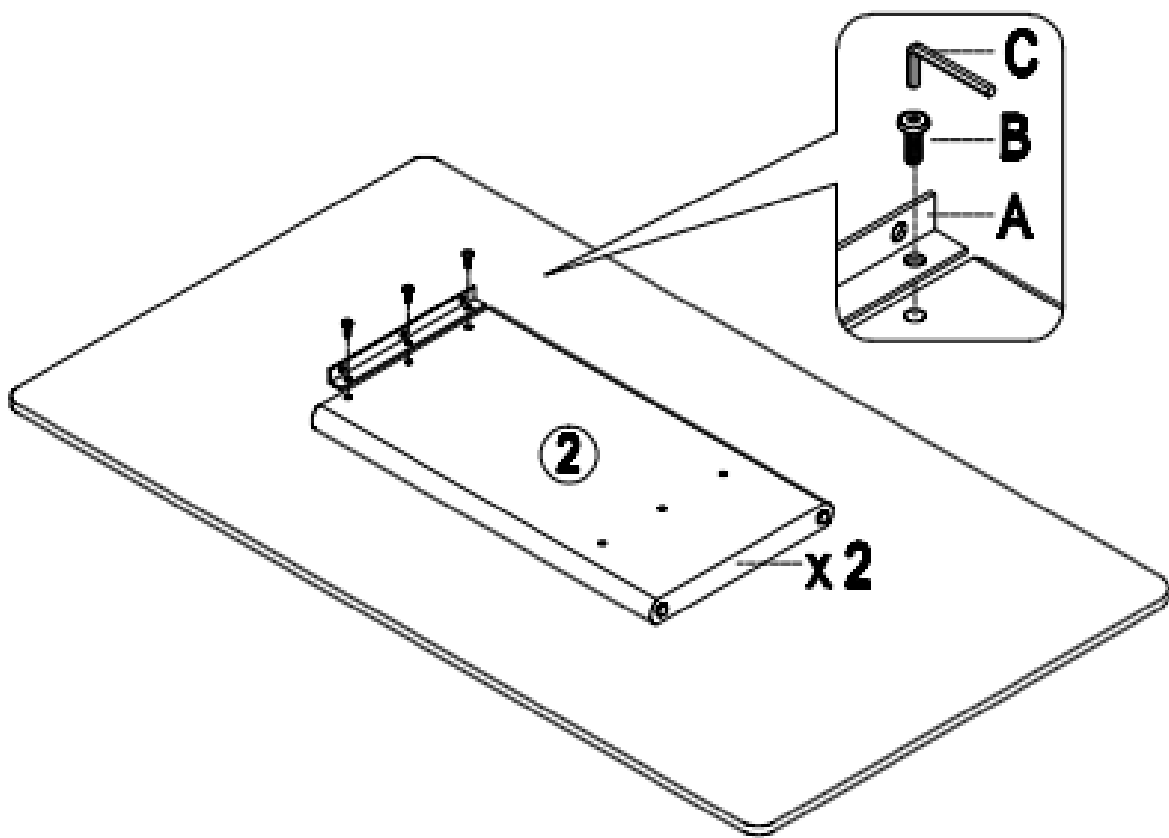


DESIGNED & IMPORTED BY REAL ROGUE IMPORTS FOR
SEEK & RAMBLE

Seek & Ramble

ASSEMBLY STEPS

STEP 1



NOTE: ALWAYS USE A CLEAN AND PROTECTIVE SURFACE TO PREVENT DAMAGING THE TABLE TOP.

ONLY TIGHTEN SCREWS 50% UNTIL ALL SCREWS ARE IN PLACE

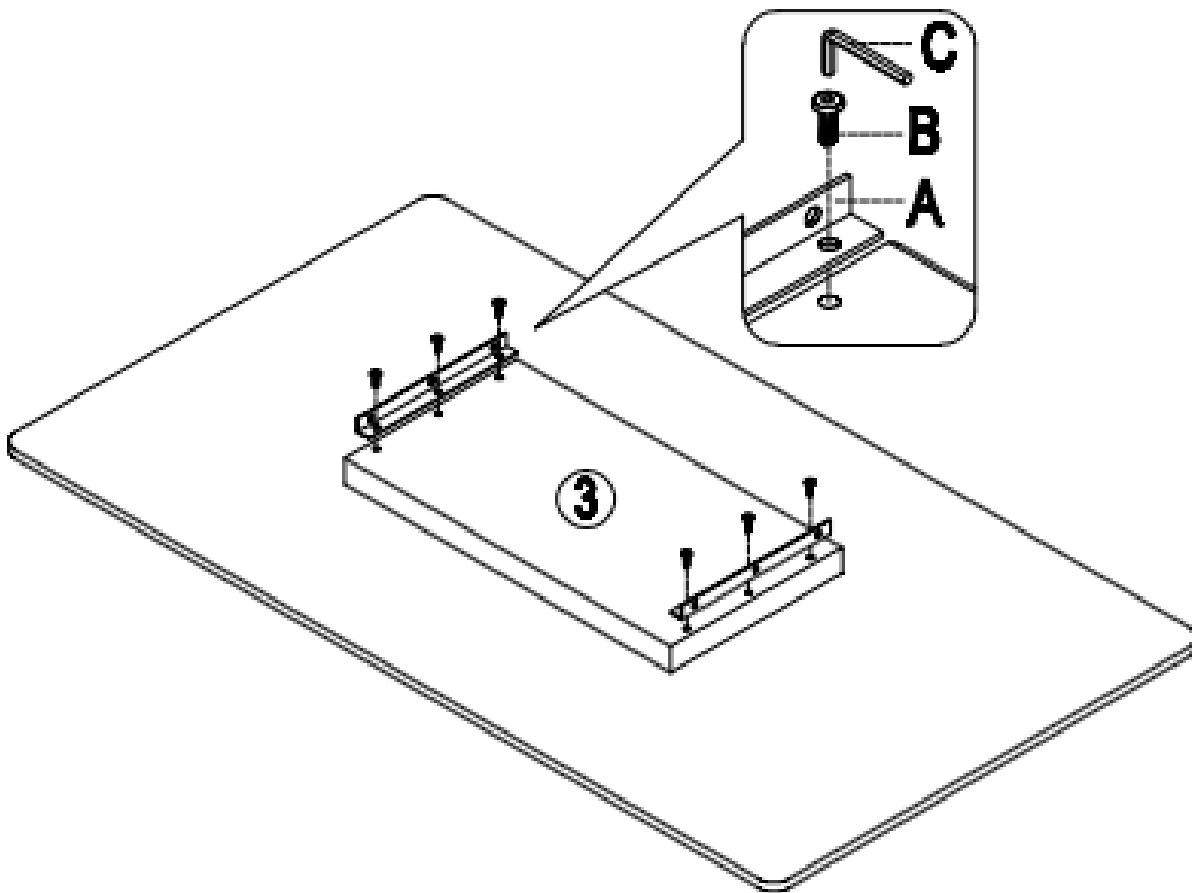


DESIGNED & IMPORTED BY REAL ROGUE IMPORTS FOR
SEEK & RAMBLE

Seek & Ramble

ASSEMBLY STEPS

STEP 2



NOTE: LAST STEP.
TIGHTEN SCREWS 100% WHEN ALL IN PLACE

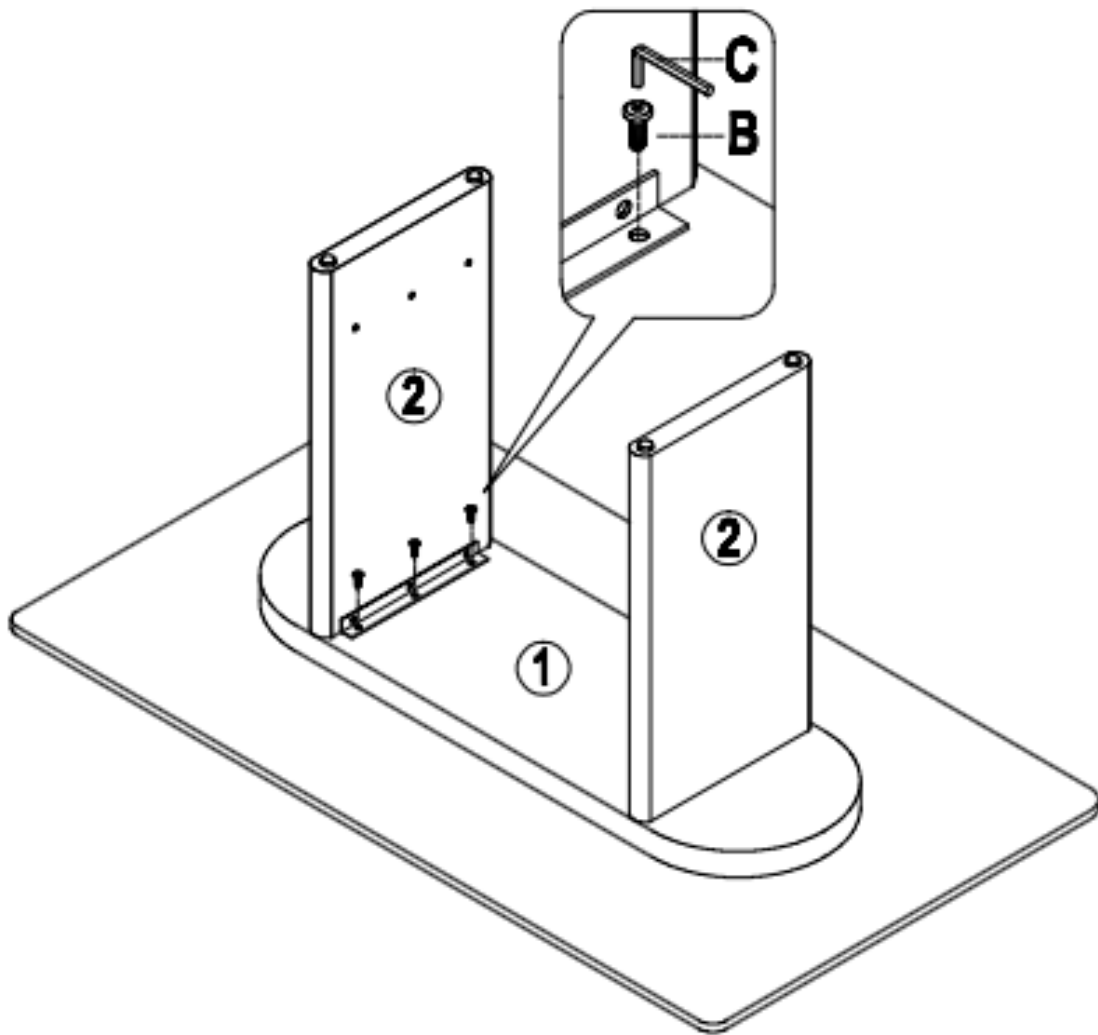


DESIGNED & IMPORTED BY REAL ROGUE IMPORTS FOR
SEEK & RAMBLE

Seek & Ramble

ASSEMBLY STEPS

STEP 3



NOTE: LAST STEP.
TIGHTEN SCREWS 100% WHEN ALL IN PLACE

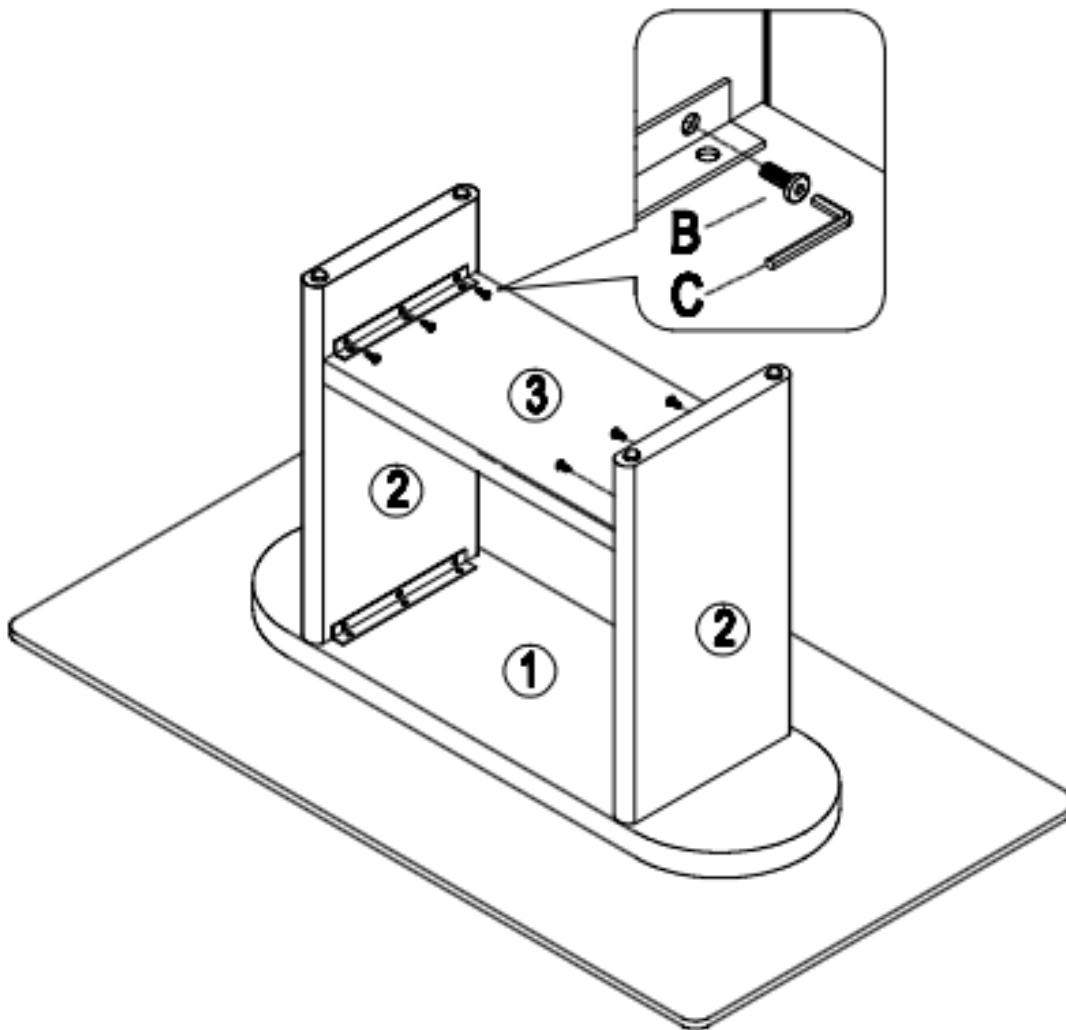


DESIGNED & IMPORTED BY REAL ROGUE IMPORTS FOR
SEEK & RAMBLE

Seek & Ramble

ASSEMBLY STEPS

STEP 4



NOTE: LAST STEP.
TIGHTEN SCREWS 100% WHEN ALL IN PLACE



DESIGNED & IMPORTED BY REAL ROGUE IMPORTS FOR
SEEK & RAMBLE

Seek & Ramble

CARE TIPS

NOTE - USE NON-ABRASIVE FURNITURE CLEANERS TO ENSURE YOUR TABLE RECEIVES THE BEST CARE.

- ALWAYS READ THE LABEL OF CLEANING PRODUCTS TO ENSURE SUITABILITY BEFORE USING.
- SPILLS SHOULD BE SOAKED UP IMMEDIATELY WITH A CLEAN, ABSORBENT SOFT CLOTH OR PAPER TOWEL.
- MILD CLEANING PRODUCTS CAN BE SAFELY APPLIED TO THE TABLE SURFACE. JUST BE SURE TO WIPE THE SOLUTION WITH A CLEAN, SOFT CLOTH.
- AVOID PUTTING ACIDIC MATERIAL, SUCH AS LEMON JUICE, ONTO YOUR TABLETOP.
- KEEP PRODUCT OUT OF DIRECT SUNLIGHT. THE FINISH MAY LIGHTEN OR DEGRADE IF EXPOSED TO HARSH SUNLIGHT.
- WIPE SURFACE WITH A DAMP CLOTH. AVOID THE USE OF HOUSEHOLD CHEMICALS AND CLEANERS.
- SPILLS MUST BE SOAKED UP IMMEDIATELY WITH A CLEAN ABSORBENT CLOTH OR PAPER TOWEL.
- WE RECOMMEND THE USE OF COASTERS AND PLACEMATS TO PREVENT DAMAGE.



SCAN FOR MORE PRODUCT INFO



DESIGNED & IMPORTED BY REAL ROGUE IMPORTS FOR
SEEK & RAMBLE