



Product Overview Connectors

Expertise in electrical
connector and heat technologies

Profile of Success

Successful discoveries are the result of an overall approach: Understanding of market requirements on the one hand, a high degree of scientific knowledge and manufacturing know-how on the other. As partners of primary sup-

pliers and plant operators we have been developing innovative components for over 50 years. elke TECHNIK with its employees serves the customer with great dedication – always one step ahead in progress.

Market of the Future

You will find elke TECHNIK products in niches wherever safety and comfort for people and machines are required. Often our products are special solutions which are developed and produced at the customer's request and according to his requirements. And it is often the smallest detail which decides on the success of the matter.

The more complex and complicated the theme, the more open and broad-minded the discourse must be in order to convert the customer's wishes into a perfect solution. We therefore lay great emphasis on the detail "communication" when dealing with the customer. It is an essential component of the elke corporate philosophy.

Safety and Comfort

elke TECHNIK corporate development is based on the two pillars of connector technology and heat technology.

Due to continuous improvements we can offer our customers today in both sectors products which fulfil completely all safety demands and adhere to relevant standards. In order to fulfil individual assign-

ments to the full we provide you with the highest degree of expertise, quality and technical knowledge.

Our technical production capabilities for small to medium-sized batches provide you with further advantages for your safety and comfort.



Contents

Page

Range of products	5
2-pole plug 35 mm ² and 50 mm ²	7
2-pole socket 25 mm ² , 35 mm ² and 50 mm ²	8
2-pole socket – sleeved couplers	9
2-pole coupler 35 mm ²	9
2-pole connection cable 35 mm ² with plug/callipers	11 - 12
2-pole connection/helical cable PVC 35mm ² with plug/callipers	12 - 13
2-pole plug/coupler/connection cable 70 mm ²	14
12-pole plug/socket/cover cap	16 - 18

CERTIFICATE

ISO 9001:2000



The SKZ-Cert GmbH Zertifizierungen certifies to the company



Wärme- und Verbindungssysteme GmbH
Mühlgraben 70
73479 Ellwangen

the introduction and application of a quality management system according to
ISO 9001:2000

Scope:

Development, manufacturing, distribution and trading of products in the heating and connector industry, mostly made of vulcanized elastomers, as well as injection moulded thermoplastics

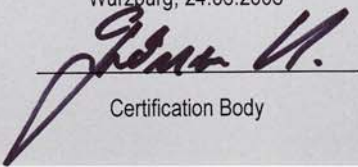
The proof has been furnished by a quality audit.

This certificate expires: 23.06.2011
Certificate No.: 1566/08.R
First Certification: 03/2002



QMS-TGA-ZM-09-93-00

Würzburg, 24.06.2008


Certification Body

SKZ-Cert Gesellschaft mbH Zertifizierungen - Frankfurter Straße 15 - 97082 Würzburg - Tel.: +49 931 4104-310 - www.skz-cert.de

QUALITY



Our range of products includes:

Electrical Plug Connectors

- compliant with VG 96917 2-pole plugs
- compliant with VG 96923 12-pole plugs
- compliant with VG 96927 electrical cables and conductors with fitted plug

for military and civil applications

These plugs are suitable for highest performance in the toughest environments.

Our products

- **2-pole connector plugs** for 25 mm², 35 mm², 50 mm² and 70 mm²
- **Connection cables** with double-sided plugs 35 mm² and 70 mm²
- **Connection cables** with callipers and plugs
- **Cable lengths** according to customer's request
- **Couplers** for 35 mm² and 70 mm² cables
- **12-pole connector plugs**

Applications

- **Jump starter** leads for cars and commercial vehicles
- **Lifting platforms** for vehicles in mobile and stationary use
- **Heavy plant** for road construction and mining
- **Building cranes and earthmovers**
- **Shipbuilding**

CERTIFICATE

2-pole connector plugs compliant with VG 96917



Bundesamt für Wehrtechnik und Beschaffung



Bundeswehr

Zulassungsurkunde / Certificate of Approval

Nr / No

U48/05088

Die Firma / The Firm of

ELKE Technik Wärme- und Verbindungssysteme GmbH, Mühlgraben 80,
73479 Ellwangen

hat Antrag auf / has applied for

Zulassung nach VG 95 211

Qualification in accordance with VG 95 211
(Defense Equipment Standard)

Aufnahme in VG 95 212

Listen zugelassener Bauelemente (LZB)
entry into VG 95 212 "Lists of preferred Components"

für folgende Bauelemente gestellt / for the following components:

Zweipolige Steckverbinder

Militärische Bezeichnung der Bauelemente / Military Designation of the components

Steckverbinder, zweipolig VG 96917 Typ A, D, E, F, S und P
gemäß Aufstellung Anlage zur Zulassungsurkunde U48/05088, Seite 1

Anzuwendende Spezifikationen / Applicable specifications

VG 95 319 - 2 Ausgabe: November 1973

VG 96 917- 1 bis 3 Ausgabe: April 2000

mit den jeweils gültigen Änderungen

Aus dem vorliegenden Prüfprotokoll / The Test Record provided

VDE Prüf- und Zertifizierungsinstitut 1521500-1430-0001 vom 25.09.1995, 30.10.1995,

06.02.1997 und 26.11.2004. VDE – AusweisNr. 89778

VDE Prüfbericht Nr. 1521500-1430-0001/64079 vom 03.11.2005

geht hervor, dass die o.a. Bauelemente alle Bedingungen der o.a. Spezifikationen erfüllt haben.

shows that above components meet all requirements of the specifications listed above.

Damit ist der Hersteller berechtigt, die Bauelemente für die Verwendung in Wehrmaterial zu liefern.

Consequently the manufacturer is authorized to supply above components for us in military equipment.

Diese Zulassungsurkunde ist gültig bis zum / This Certificate is valid until

31.01.2010

Die Zulassungsurkunde Nr.

The certificate of Approval No

U48/05001

vom

dated

07.01.2000

wird hiermit außer Kraft gesetzt.

is no longer valid

Zusätzliche Bestimmungen / Additional Provisions

The German version of this Certificate shall be binding

Koblenz, 04.11.2005



an Auftrag / By Order

Master

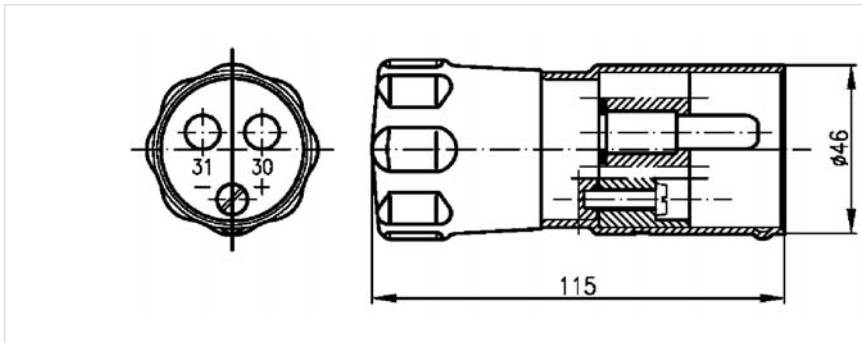
2-pole plugs 35 mm², 50 mm²

Plugs without screw ring

previously compliant with VG 96917 B with silvered crimped/soldered contacts for 35 mm² and 50 mm² cables



Item no.	Type	Sleeve colour
2824-00.00	35 mm ²	black
2824-11.00	35 mm ²	olive green
2824-13.00	35 mm ²	yellow
2824-18.00	50 mm ²	black
2824-19.00	50 mm ²	olive green
2824-20.00	50 mm ²	yellow

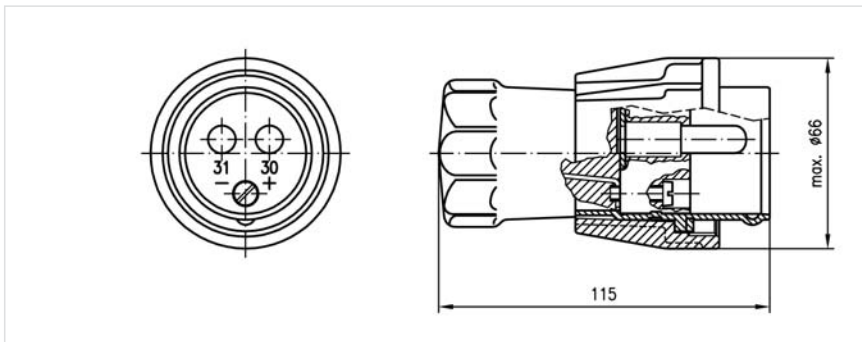


Plugs with screw ring

and silvered crimped/soldered contacts for 35 mm² and 50 mm² cables



Item no.	Type	Colour	VG	Supply no.
2824-50.00	35 mm ²	olive green	96917E001A	5935-12-322-9791
2824-51.00	50 mm ²	olive green	-	-

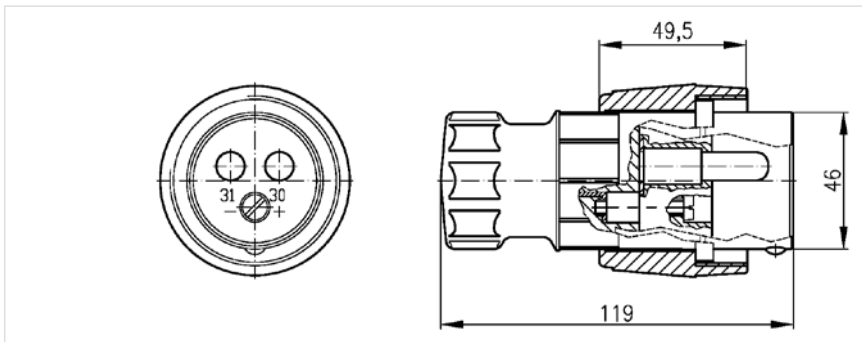


Plugs with rubberised screw ring

and silvered crimped/soldered contacts for 35 mm² cables



Item no.	Type	Colour	VG
2824-65.00	35 mm ²	black	96917E001B



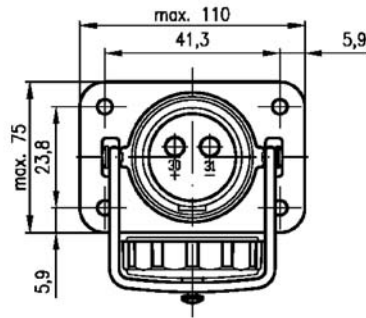
2-pole sockets 25 mm², 35 mm², 50 mm²

Socket with screw cap

and silvered soldered/cripped contacts for 25, 35 and 50 mm² cables, colour: olive green



Item no.	Type	VG	Supply no.
2725-10.00	without sleeve	96917 A 003A	5935-12-338-8907
2725-12.00	25 mm ²	96917 A --- A	-
2725-13.00	35 mm ²	96917 A --- A	-
2725-15.00	35/50 mm ²	96917 A 001A	5935-12-307-1277
2725-00.00	50 mm ²	96917 A 002A	5935-12-308-5019

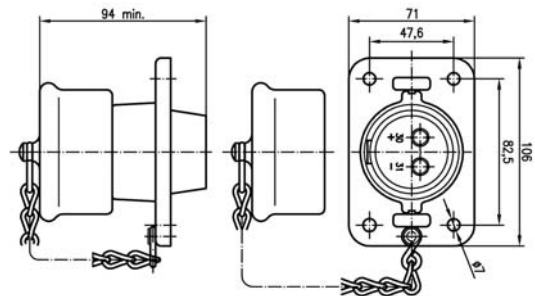


Plug with rubber cap

and crimped contacts for 35 mm²



Item no.	Colour
2726-00.00	yellow

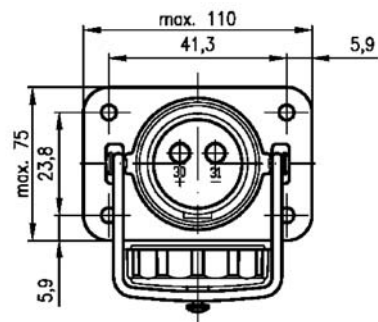


Socket rubberised with screw cap

and silvered soldered/cripped contacts for 25, 35 and 50 mm² cables, colour: black



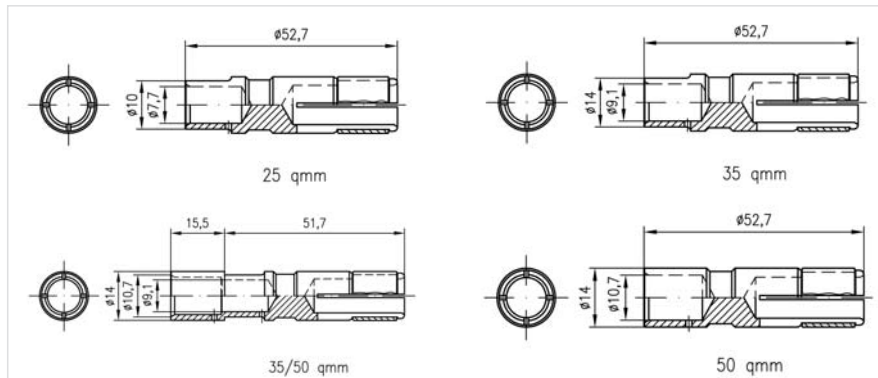
Item no.	Type	VG
2730-72.00	without sleeve	96917 A 003B
2730-71.00	25 mm ²	96917 A --- B
2730-70.00	35 mm ²	96917 A --- B
2730-50.00	35/50 mm ²	96917 A 001B
2730-49.00	50 mm ²	96917 A 002B



2-pole socket/sleeved couplers

Couplers

Item no.	Type	VG	Supply no.
2730-03.00	25 mm ²	-	-
2730-04.00	35 mm ²	96917 S 35	5999-12-341-6353
2730-06.00	35/50 mm ²	96917 S 35-50	5999-12-304-8049
2730-05.00	50 mm ²	96917 S 50	5999-12-335-5654



2-pole couplers 35 mm²

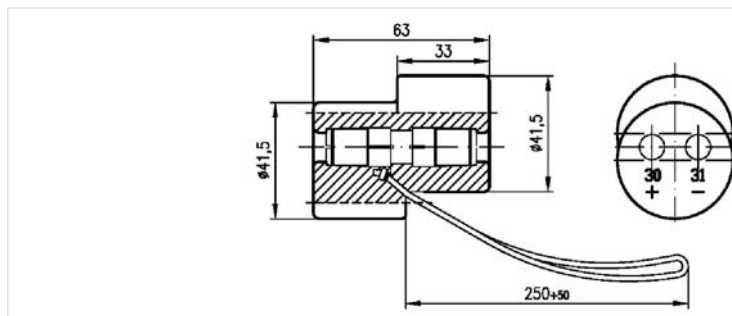
Coupler without screw cap

Coupler rubberised, previously compliant with VG 96917C, with contact socket 35 mm²



Item no.

1526-00.00



Coupler with screw cap

Coupler rubberised with contact socket 35 mm²



Item no.

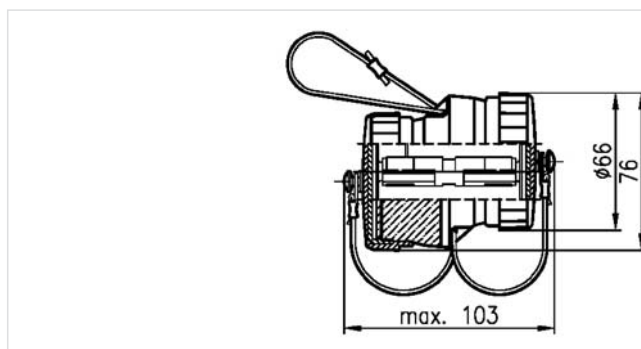
1526-09.00

VG

96917 D 001

Supply no.

5935-12-328-6768



CERTIFICATE

2-pole connection cable compliant with VG 96927



Bundesamt für Wehrtechnik und Beschaffung



Bundeswehr

Zulassungsurkunde / Certificate of Approval

Nr / No
U48/08026

Die Firma / The Firm of
Elke-Technik GmbH, Mühlgraben 80, 73479 Ellwangen

hat Antrag auf / has applied for

Zulassung nach VG 95 211
Qualification in accordance with VG 95 211
(Defense Equipment Standard)

Aufnahme in VG 95 212
Listen zugelassener Bauelemente (LZB)
entry into VG 95 212 „Lists of preferred Components“

für folgende Bauelemente gestellt / for the following components:
Konfektionierte elektrische Kabel und Leitungen mit 2 Verbindungswegen

Militärische Bezeichnung der Bauelemente / Military Designation of the components
Konfektionierte elektrische Kabel und Leitungen - Teil 12: Kabel mit zwei Verbindungswegen
gemäß Aufstellung Anlage zur Zulassungsurkunde Nr. U48/08026 Seite 1

Anzuwendende Spezifikationen / Applicable specifications
VG96927-12, Ausgabe Dezember 2004
VG96927-2, Ausgabe Dezember 2004
mit den jeweils gültigen Änderungen

Aus dem vorliegenden Prüfprotokoll / The Test Record provided
VDE Prüf- u. Zertifizierungsinstitut, Prüfbericht 15215-1580-0001/101263
vom 18.06.2008, VDE-Ausweis 40004069
geht hervor, dass die o.a. Bauelemente alle Bedingungen der o.a. Spezifikationen erfüllt haben.
shows that above components meet all requirements of the specifications listed above.
Damit ist der Hersteller berechtigt, die Bauelemente für die Verwendung in Wehrmaterial zu liefern.
Consequently the manufacturer is authorized to supply above components for us in military equipment.

Diese Zulassungsurkunde ist gültig bis zum / This Certificate is valid until
31.12.2013

Die Zulassungsurkunde Nr. vom
The certificate of Approval No dated
U48/05070 20.10.2005
Zusätzliche Bestimmungen / Additional Provisions

wird hiermit außer Kraft gesetzt.
is no longer valid.

The German version of this Certificate shall be binding

Koblenz
23.06.2008



Im Auftrag / By Order

BWB A 1267/11.05

ADSB Schutzbereich 2

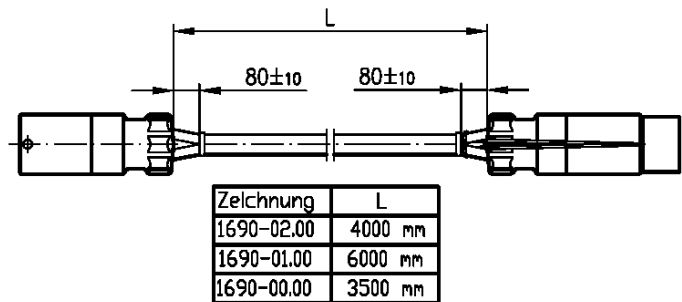
2-pole connection cables 35 mm² with plug/callipers

Connection cable 2-pole

with 2 plugs assembled (previously compliant with VG 96917 C, compliant with VDA 72593), also available in special lengths on request



Item no.	Cable length	Supply no.
1690-00.00	3,5 m	2590-12-130-7310
1690-01.00	6,0 m	2590-12-141-1028
1690-02.00	4,0 m	-
1690-03.00	5,0 m	-
1690-04.00	10,0 m	2590-12-145-4146

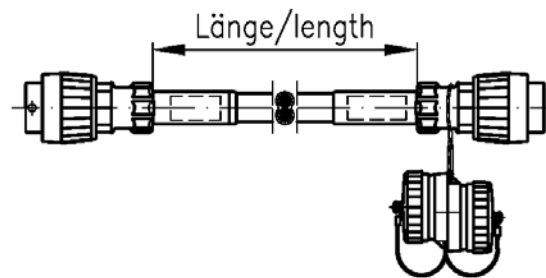


Connection cable 2-pole with vulcanised plug

1. (similar to 2824-65.00) on flexible twin cable 2 x 35 mm² with coupler and screw cap (VG 96917 D 001), also available in special lengths



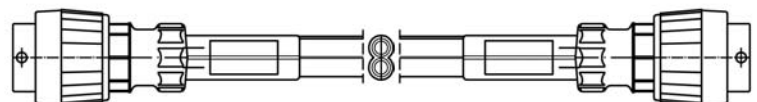
Item no.	Cable length	VG	Supply no.
1691-46.00	3,5 m	96927T012 A001	6150-12-309-8025
1691-47.00	6,0 m	96927T012 A002	6150-12-325-0952
1691-48.00	10,0 m	96927T012 A003	6150-12-325-0953
1691-49.00	20,0 m	96927T012 A005	6150-12-325-0954
1691-50.00	25,0 m	96927T012 A006	6150-12-165-3127



2. Connection cable 2-pole with plug and metal screw ring (2824-50.00) assembled, also available in special lengths



Item no.	Cable length
1690-35.00	3,5 m



2-pole connection cable 35 mm² with plug/callipers

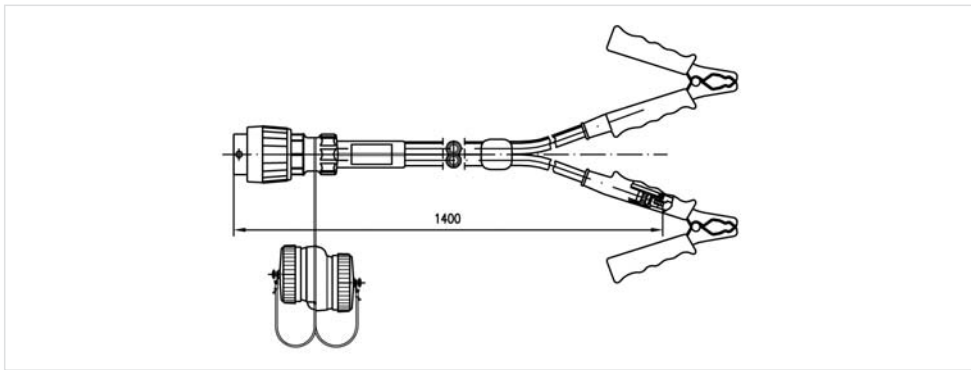
Connection cable 2-pole with plug/callipers

on flexible twin cable 2 x 35 mm², on vulcanised plug and 2 rubberised callipers with coupler, also available in special lengths



Alternative with 2 plastic callipers

Item no.	Cable length	VG	Supply no.
1692-48.00	1,4 m	96927 T 012B001	6150-12-309-8024



Item no.	Cable length
1692-28.00	1,4 m

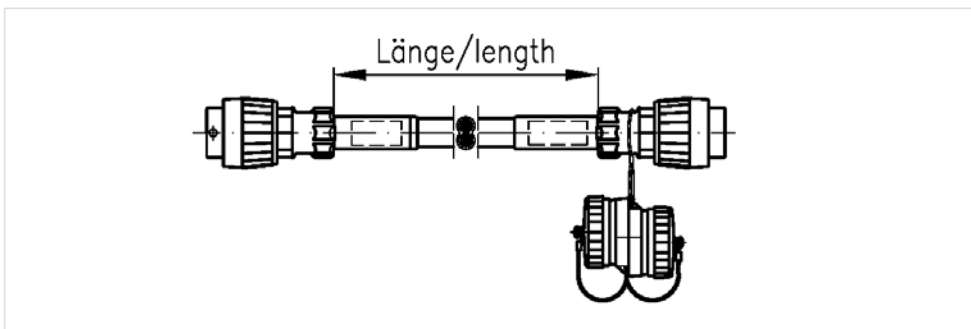
2-pole connection/helical cable PVC 35 mm² with plug/callipers

Connection cable PVC 2-pole with plug

2 x 35 mm² with 2 plugs (2824-65.00 compliant with VG 96917 E001) on twin PVC cable red and black, with coupler compliant with VG96917 D001, also available in special lengths



Item no.	Cable length
1691-46.10	3,5 m
1691-47.10	6,0 m
1691-48.10	10,0 m
1691-49.10	20,0 m
1691-50.10	25,0 m



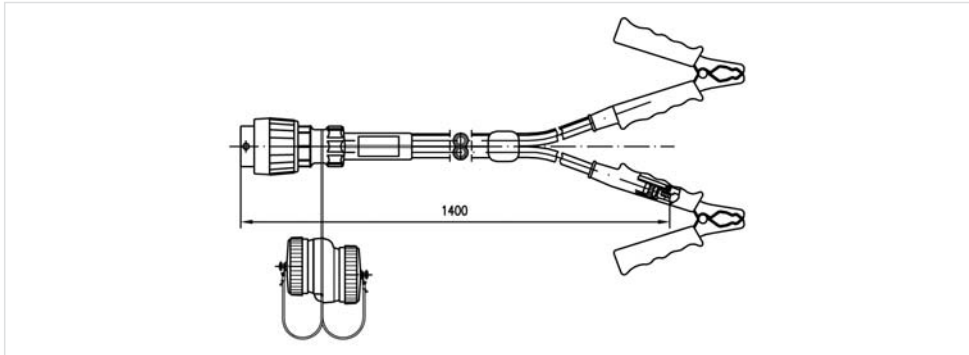
2-pole connection/helical cable PVC 35 mm² with plug/callipers

Connection cable PVC 2-pole with plug and callipers

2 x 35 mm² with 1 plug (2824-65.00 compliant with VG 96917 E001), on PVC twin cable red and black, with coupler compliant with VG96917 D001 and 2 plastic callipers, also available in special lengths



Item no.	Cable length
1692-48.10	1,4 m

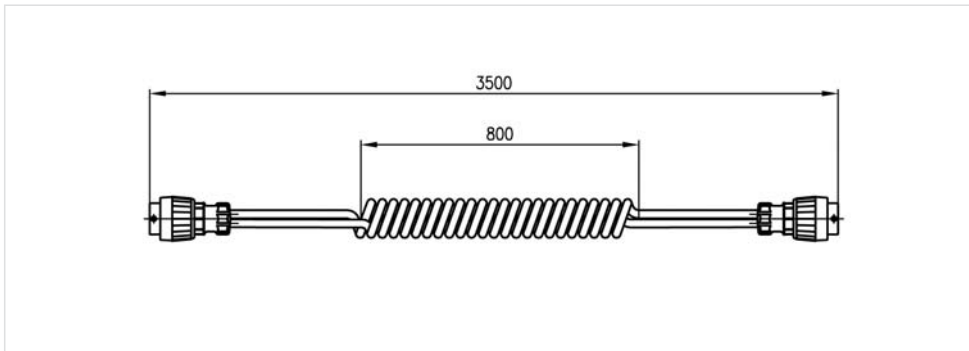


Helical cable PVC 2-pole with 2 plugs

2 x 35 mm² with 2 plugs (2824-65.00 compliant with VG 96917 E001), on PVC helical cable red and black, **available alternatively** with plug 2824-50.00



Item no.	Cable length
1705-00.00	3,5 m



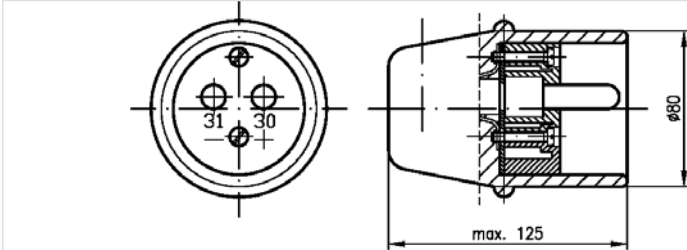
2-pole plug/coupler/connection cable 70 mm²

Plug 2-pole

with soldered contacts for 70 mm² cables



Item no. 1483-00.00

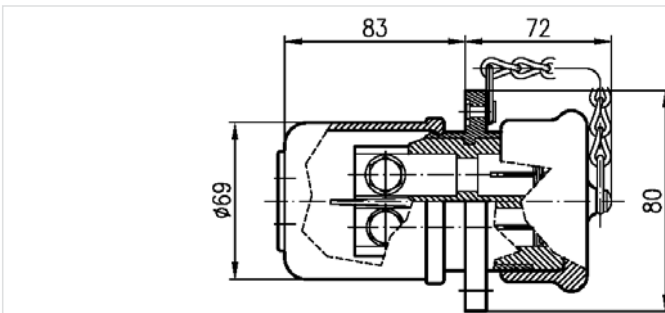


Socket 2-pole with screw contacts

for 70 mm² cables with cable connector M10



Item no. 2611-00.00 Supply no. 5935-12-122-4454

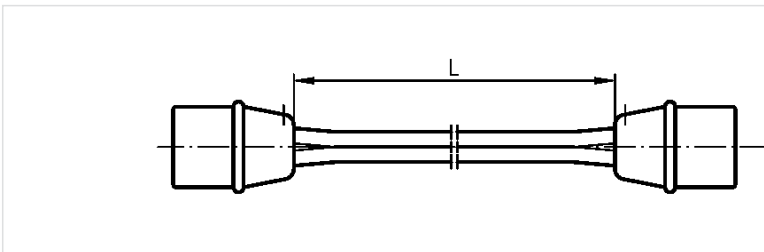


Connection cable 70 mm² with 2 plugs 1483-00.00

also available in special lengths



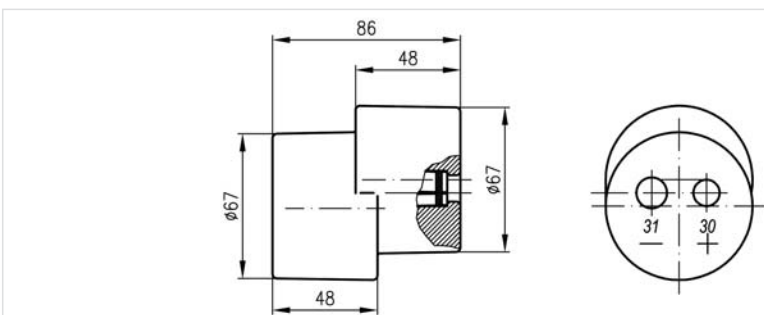
Item no.	Length	Item no.	Length
1604-01.00	3,0 m	1604-05.00	6,0 m
1604-02.00	3,5 m	1604-06.00	7,0 m
1604-03.00	5,0 m	1604-07.00	4,0 m
1604-04.00	20,0 m		



Coupler



Item no. 1678-00.00



CERTIFICATE

12-pole connector plugs compliant with VG 96923



Bundesamt für Wehrtechnik und Beschaffung



Bundeswehr

Zulassungsurkunde / Certificate of Approval

Nr / No

U48/07113

Die Firma / The Firm of

Elke Technik Wärme- und Verbindungssysteme GmbH, Mühlgraben 80, 73479 Ellwangen

hat Antrag auf / has applied for

Zulassung nach VG 95 211
Qualification in accordance with VG 95 211
(Defense Equipment Standard)

Aufnahme in VG 95 212
Listen zugelassener Bauelemente (LZB)
entry into VG 95 212 „Lists of preferred Components“

für folgende Bauelemente gestellt / for the following components:
Elektrische Steckverbinder und Steckvorrichtungen

Militärische Bezeichnung der Bauelemente / Military Designation of the components

VG96923 Elektrische Steckverbinder und Steckvorrichtungen - Steckverbinder, 12polig,
Lötanschluss

gemäß Aufstellung Anlage zur Zulassungsurkunde Nr. U48/07112 Seite 1

Anzuwendende Spezifikationen / Applicable specifications

VG95319 Teil 2, Ausgabe: 1973 - 11

VG96923 Teil 1 Ausgabe: 2002 - 07

VG96923 Teil 2, Ausgabe: 2002 - 07

VG96923 Teil 3, Ausgabe: 2002 - 07

mit den jeweils gültigen Änderungen

Aus dem vorliegenden Prüfprotokoll / The Test Record provided

VDE Prüf- u. Zertifizierungsinstitut vom 10.12.2007, Az 1521500-1430-0002

Auftragsnummer: 92364, Prüfauftrag Nr: 4090101

geht hervor, dass die o.a. Bauelemente alle Bedingungen der o.a. Spezifikationen erfüllt haben.

shows that above components meet all requirements of the specifications listed above.

Damit ist der Hersteller berechtigt, die Bauelemente für die Verwendung in Wehrmaterial zu liefern.

Consequently the manufacturer is authorized to supply above components for us in military equipment.

Diese Zulassungsurkunde ist gültig bis zum / This Certificate is valid until

31.12.2012

Die Zulassungsurkunde Nr.
The certificate of Approval No

U48/07032

Zusätzliche Bestimmungen / Additional Provisions

vom
dated

09.08.2007

wird hiermit außer Kraft gesetzt.
is no longer valid.

The German version of this Certificate shall be binding

Koblenz
13.12.2007



Auftrag / By Order

BWB A 1267/11.05

ADSB

Schutzbereich 2

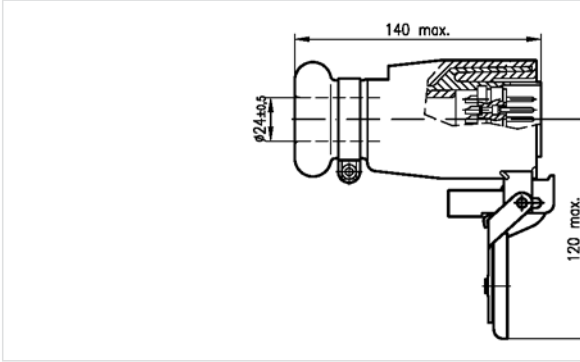
12-pole plug/socket/hinged cover cap

Plug 12-pole

with silvered contact pins



Item no.	Type	VG	Supply no.
1667-20.00	for cable dia. 24,0 mm	96923B3-12P	5935-12-188-1750
1667-40.00	for cable dia. 17,0 mm	96923B4-12P	5935-12-350-1294

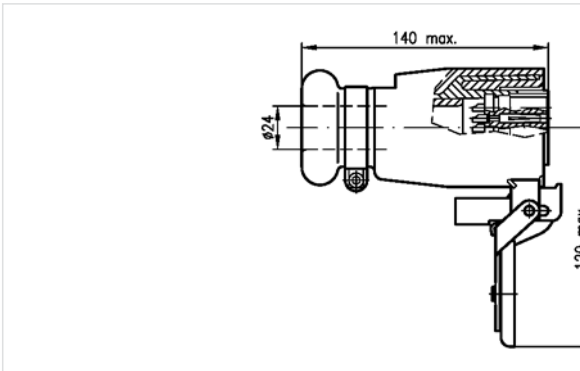


Plug 12-pole

with silvered contact sockets



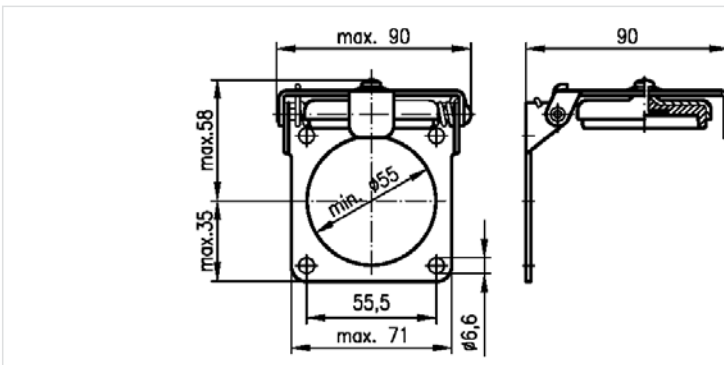
Item no.	Type	VG	Supply no.
1668-01.00	for cable dia. 24,0 mm	96923B3-12S	5935-12-127-8050
1668-02.00	for cable dia. 17,0 mm	96923B4-12S	5935-12-350-1295



Cover cap for 12-pole socket



Item no.	VG	Supply no.
1626-00.00	96923F	5935-12-122-4463



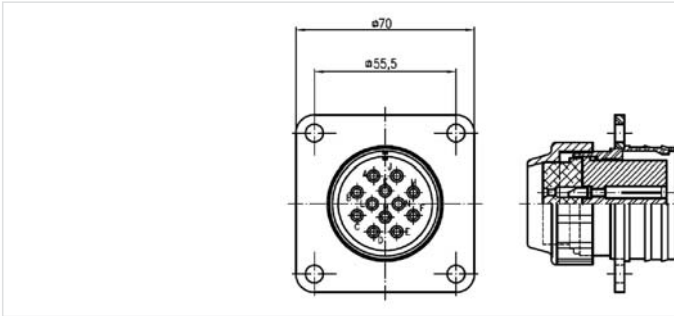
12-pole plug/socket/hinged cover cap

Socket 12 pole

with silvered contact sockets and screw cover



Item no.	VG	Supply no.
1403-00.00	96923 A-12S	5935-12-127-4831

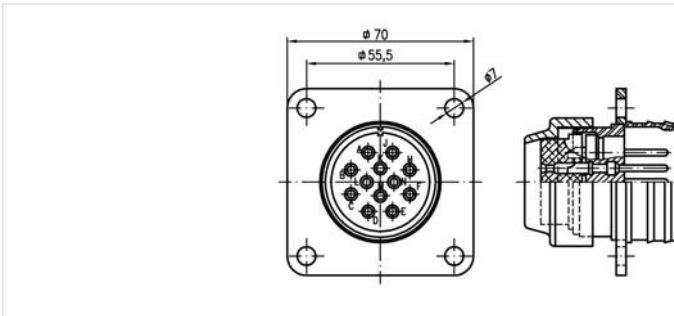


Socket 12-pole

with silvered contact pins and screw cover



Item no.	VG	Supply no.
1404-00.00	96923 A-12P	5935-12-127-4833

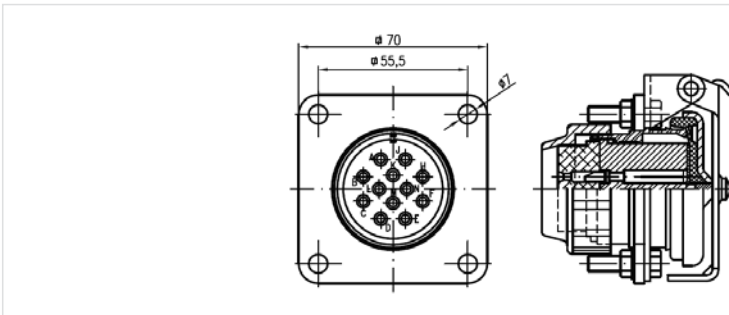


Socket 12-pole

with silvered contact sockets, hinged cover cap, attachment kit and screw cap



Item no.	VG	Supply no.
2612-00.00	96923 L002	5935-12-128-1833



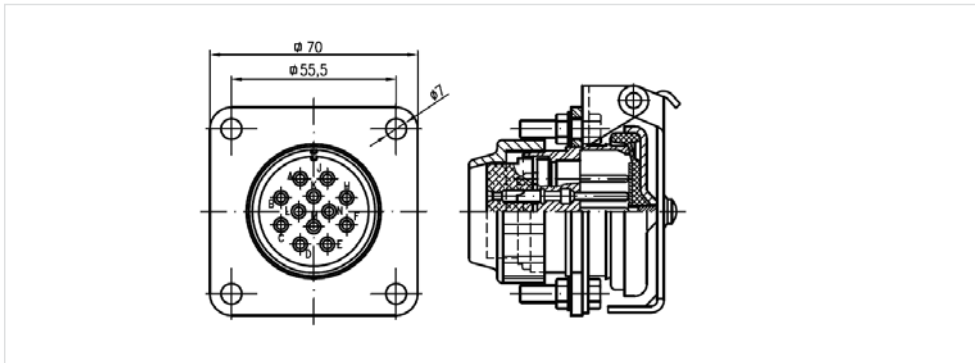
12-pole plug/socket/hinged cover cap

Socket 12-pole

with silvered contact pins, hinged cover cap, attachment kit and screw cap



Item no.	VG	Supply no.
2613-00.00	96923 L 001	5935-12-148-3053



Other Business Sectors

Heat Technology

- Radiation and surface heaters, i.e. silicon heating elements, vulcanised on sheet materials or form parts

Technical Components

- Plastic injection mouldings
- Elastomer profile components

bamaheat

- Self-limiting heating strips for antifreeze and temperature stability · thin bed heating mats · mirror, open space and storage heating · innovative control technology · control cabinets · accessories and much more

All data in this product catalogue represent the current status of our knowledge and are to the best of our knowledge correct and accurate, they do not, however, imply a firm guarantee of characteristics. Such guarantee is given only via the works standards of elke TECHNIK GmbH.

Amendments, errors and printing errors do not constitute grounds for damage claims.

For liability the general terms and conditions of elke TECHNIK GmbH apply exclusively.

We reserve the right to technical changes.

For further information please visit www.elke-technik.de

Edition July 2009

How to get to us



elke TECHNIK Wärme-
und Verbindungstechnik GmbH
Mühlgraben 70
73479 Ellwangen (Jagst)

Tel.: +49 (0) 79 61 5 69 55-0

Fax: +49 (0) 79 61 5 69 55-50

E-Mail: info@elke-technik.de

www.elke-technik.de