



SWITCHED INTERLOCKED SOCKETS

16A - 125A

Switched interlocked sockets

**Switched interlocked sockets –
Compact series**

Page **100**



Switched interlocked sockets

Page **102**



**Switched interlocked sockets
with DIN-rail**

Page **110**



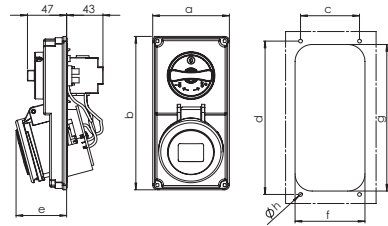
Switched interlocked sockets fused

Page **112**



Switched interlocked sockets – Compact series

mechanical interlock, lockable by padlock

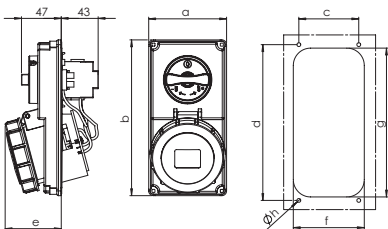


Switched interlocked socket - panel mounting

| | 16 Amp | | | 32 Amp | | |
|----------------------------------|----------------|-----|-----|--------|-----|-----|
| | 3 | 4 | 5 | 3 | 4 | 5 |
| Poles | 3 | 4 | 5 | 3 | 4 | 5 |
| a | 90 | 90 | 90 | 90 | 90 | 90 |
| b | 180 | 180 | 180 | 180 | 180 | 180 |
| c | 79 | 79 | 79 | 79 | 79 | 79 |
| d | 169 | 169 | 169 | 169 | 169 | 169 |
| e | 57 | 59 | 60 | 66 | 66 | 67 |
| f | 80 | 80 | 80 | 80 | 80 | 80 |
| g | 155 | 155 | 155 | 155 | 155 | 155 |
| h | 4,4 | 4,4 | 4,4 | 4,4 | 4,4 | 4,4 |
| Connection type: | Screw terminal | | | | | |
| Wire flexible [mm ²] | 1,5-2,5 | | | 2,5-6 | | |
| solid [mm ²] | 1,5-4 | | | 2,5-10 | | |
| Weight [g] | 456 | 481 | 505 | 507 | 530 | 565 |

- with screw terminals
- housing material: PA6
- contacts: nickel-plated contacts
- mechanical interlock

IP44 splashproof

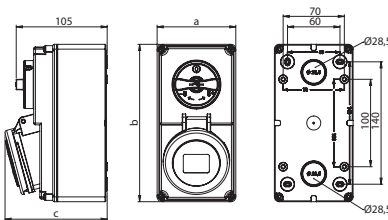


Switched interlocked socket - panel mounting

| | 16 Amp | | | 32 Amp | | |
|----------------------------------|----------------|-----|-----|--------|-----|-----|
| | 3 | 4 | 5 | 3 | 4 | 5 |
| Poles | 3 | 4 | 5 | 3 | 4 | 5 |
| a | 90 | 90 | 90 | 90 | 90 | 90 |
| b | 180 | 180 | 180 | 180 | 180 | 180 |
| c | 79 | 79 | 79 | 79 | 79 | 79 |
| d | 169 | 169 | 169 | 169 | 169 | 169 |
| e | 57 | 59 | 60 | 66 | 66 | 67 |
| f | 80 | 80 | 80 | 80 | 80 | 80 |
| g | 155 | 155 | 155 | 155 | 155 | 155 |
| h | 4,4 | 4,4 | 4,4 | 4,4 | 4,4 | 4,4 |
| Connection type: | Screw terminal | | | | | |
| Wire flexible [mm ²] | 1,5-2,5 | | | 2,5-6 | | |
| solid [mm ²] | 1,5-4 | | | 2,5-10 | | |
| Weight [g] | 474 | 502 | 535 | 538 | 563 | 603 |

- with screw terminals
- housing material: PA6
- contacts: nickel-plated contacts
- mechanical interlock

IP67 watertight

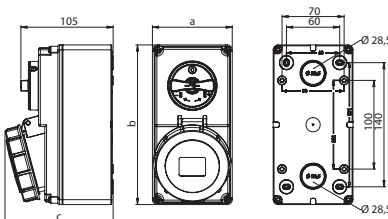


Switched interlocked socket - wall mounting

| | 16 Amp | | | 32 Amp | | |
|----------------------------------|----------------|-----|-----|--------|-----|-----|
| | 3 | 4 | 5 | 3 | 4 | 5 |
| Poles | 3 | 4 | 5 | 3 | 4 | 5 |
| a | 90 | 90 | 90 | 90 | 90 | 90 |
| b | 180 | 180 | 180 | 180 | 180 | 180 |
| c | 115 | 116 | 117 | 123 | 123 | 124 |
| Connection type: | Screw terminal | | | | | |
| Wire flexible [mm ²] | 1,5-2,5 | | | 2,5-6 | | |
| solid [mm ²] | 1,5-4 | | | 2,5-10 | | |
| Weight [g] | 609 | 635 | 659 | 660 | 686 | 719 |

- with screw terminals
- housing material: PA6
- contacts: nickel-plated contacts
- mechanical interlock
- rear entry

IP44 splashproof



Switched interlocked socket - wall mounting


| | 16 Amp | | | 32 Amp | | |
|----------------------------------|----------------|-----|-----|--------|-----|-----|
| | 3 | 4 | 5 | 3 | 4 | 5 |
| Poles | 3 | 4 | 5 | 3 | 4 | 5 |
| a | 90 | 90 | 90 | 90 | 90 | 90 |
| b | 180 | 180 | 180 | 180 | 180 | 180 |
| c | 119 | 120 | 122 | 125 | 125 | 128 |
| Connection type: | Screw terminal | | | | | |
| Wire flexible [mm ²] | 1,5-2,5 | | | 2,5-6 | | |
| solid [mm ²] | 1,5-4 | | | 2,5-10 | | |
| Weight [g] | 627 | 655 | 688 | 692 | 717 | 757 |

- with screw terminals
- housing material: PA6
- contacts: nickel-plated contacts
- mechanical interlock
- rear entry

IP67 watertight

Advantages:

- compact design
- small dimensions - space saving storage
- all components are mounted on top
- as flanged version suitable for distribution boxes and boards
- ready wired for connection
- at switch-off position: lockable by padlock

- mechanical interlock:  after plugging and switching-on **plug is locked** after switching-off and unplugging **switch is locked**

110V~

50/60Hz
4h

230V~

50/60Hz
3p=6h
4p+5p=9h

400V~

50/60Hz
3p=9h
4p+5p=6h

500V~

50/60Hz
7h

| Amp. | Poles | pack. unit | Cat.No. | Cat.No. | Cat.No. | Cat.No. |
|------|-------|------------|---------|---------------|---------------|---------|
| 16 | 3 | 1 | 6013-4 | 6013-6 | 6013-9 | 6013-7 |
| 16 | 4 | 1 | 6014-4 | 6014-9 | 6014-6 | 6014-7 |
| 16 | 5 | 1 | 6015-4 | 6015-9 | 6015-6 | 6015-7 |
| 32 | 3 | 1 | 6023-4 | 6023-6 | 6023-9 | 6023-7 |
| 32 | 4 | 1 | 6024-4 | 6024-9 | 6024-6 | 6024-7 |
| 32 | 5 | 1 | 6025-4 | 6025-9 | 6025-6 | 6025-7 |



6015-6

| | | | | | | |
|----|---|---|---------|----------------|----------------|---------|
| 16 | 3 | 1 | 60132-4 | 60132-6 | 60132-9 | 60132-7 |
| 16 | 4 | 1 | 60142-4 | 60142-9 | 60142-6 | 60142-7 |
| 16 | 5 | 1 | 60152-4 | 60152-9 | 60152-6 | 60152-7 |
| 32 | 3 | 1 | 60232-4 | 60232-6 | 60232-9 | 60232-7 |
| 32 | 4 | 1 | 60242-4 | 60242-9 | 60242-6 | 60242-7 |
| 32 | 5 | 1 | 60252-4 | 60252-9 | 60252-6 | 60252-7 |



60152-6

| | | | | | | |
|----|---|---|--------|---------------|---------------|--------|
| 16 | 3 | 1 | 6113-4 | 6113-6 | 6113-9 | 6113-7 |
| 16 | 4 | 1 | 6114-4 | 6114-9 | 6114-6 | 6114-7 |
| 16 | 5 | 1 | 6115-4 | 6115-9 | 6115-6 | 6115-7 |
| 32 | 3 | 1 | 6123-4 | 6123-6 | 6123-9 | 6123-7 |
| 32 | 4 | 1 | 6124-4 | 6124-9 | 6124-6 | 6124-7 |
| 32 | 5 | 1 | 6125-4 | 6125-9 | 6125-6 | 6125-7 |



6115-6

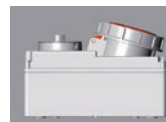
| | | | | | | |
|----|---|---|---------|----------------|----------------|---------|
| 16 | 3 | 1 | 61132-4 | 61132-6 | 61132-9 | 61132-7 |
| 16 | 4 | 1 | 61142-4 | 61142-9 | 61142-6 | 61142-7 |
| 16 | 5 | 1 | 61152-4 | 61152-9 | 61152-6 | 61152-7 |
| 32 | 3 | 1 | 61232-4 | 61232-6 | 61232-9 | 61232-7 |
| 32 | 4 | 1 | 61242-4 | 61242-9 | 61242-6 | 61242-7 |
| 32 | 5 | 1 | 61252-4 | 61252-9 | 61252-6 | 61252-7 |



61152-6

■ ■ ■ Technical data:

- switched interlocked socket for panel/wall mounting
- 16A and 32A; 3-, 4- and 5 poles
- IP44 and IP67
- **ON/OFF switch PCE-Merz ML0; EN 60947-3: AC22A; 10 kA**
- large connecting area
- enclosure made of shock-resistant thermoplastic material
- approved acc. to EN 60309, ÖVE



Switched interlocked sockets 16/32A

The new generation switched interlocked sockets 16/32A is a combination of modern design and highest performance, according to EN60309, ÖVE

VERSIONS:

- 16A and 32A
- 3-, 4- and 5-poles up to 690V (5h)
- IP rating IP54 and IP66/67
- for installation indoor and outdoor
- 2 housing sizes: 230mm without protection
 340mm with protection

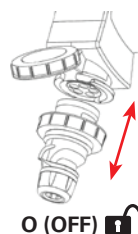
ADVANTAGES:

- Housing components made of high valuable PC/ABS plastics
- Robust construction for wall mounting
- Large rotary knob 3-times lockable in OFF position with padlock (40mm)

- Housing screws stainless steel



- *Mechanical interlock
 - after plugging and switching ON plug is locked
 - after switching OFF and unplugging switch is locked



- **On-/Off switch** PCE-MERZ ML0
EN 60947-3;AC22A, 10kA
OPTION: PCE-MERZ ML1
EN 60947-3;AC22A, 10kA
- **Threaded insert top M25**
Option: M32 or complete closed
- **Large connection area**
DIN-rail mounting, ready wired
- **Mechanical interlock***
- **Wall mounting** outside of the protected electrical area
- **Threaded insert bottom 2xM25**
Option: 2xM32 or complete closed
- **Contact carrier system**
simple accessibility for maintenance and the necessary check of the contacts
- **Housing can be rotated by 180°**

- **Switching mechanism**
in the top cover
- **Screws are protected** against falling out

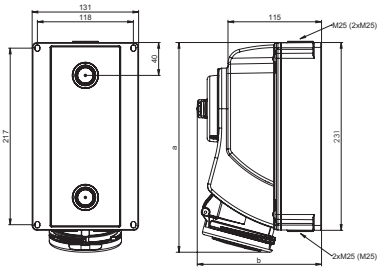
SWITCHED INTERLOCKED SOCKETS PROTECTED

- long version (340mm) with window for 5 units
- window easy accessible on top
- integrated DIN rail EN50022 for all standard protection elements (MCB, RCD, ...)
- ready wired to the DIN rail



Switched interlocked sockets – for wall mounting

mechanical interlock, lockable by padlock



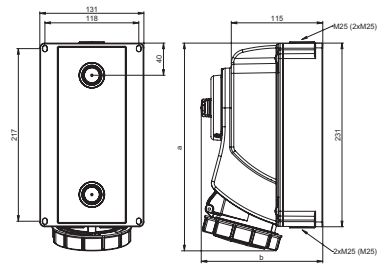
Switched interlocked socket – wall mounting

| Poles | 16 Amp | | | 32 Amp | | |
|----------------------------------|---------|------|------|--------|------|------|
| | 3 | 4 | 5 | 3 | 4 | 5 |
| a | 249 | 249 | 249 | 259 | 259 | 259 |
| b | 153 | 153 | 153 | 153 | 153 | 153 |
| M | 3x25 | 3x25 | 3x25 | 3x25 | 3x25 | 3x25 |
| Connection type: Screw terminal | | | | | | |
| Wire flexible [mm ²] | 1,5-2,5 | | | 2,5-6 | | |
| solid [mm ²] | 1,5-4 | | | 2,5-10 | | |
| Weight [g] | 1067 | 1072 | 1118 | 1123 | 1136 | 1183 |

- with screw terminals
- housing material: PC/ABS
- contacts: nickel-plated contacts
- mechanical interlock
- top, bottom or rear entry
- incl. threaded bung

IP44 splashproof

* Option: M32 or closed



Switched interlocked socket – wall mounting


| Poles | 16 Amp | | | 32 Amp | | |
|----------------------------------|---------|------|------|--------|------|------|
| | 3 | 4 | 5 | 3 | 4 | 5 |
| a | 251 | 251 | 253 | 260 | 260 | 262 |
| b | 153 | 153 | 153 | 153 | 153 | 153 |
| M | 3x25 | 3x25 | 3x25 | 3x25 | 3x25 | 3x25 |
| Connection type: Screw terminal | | | | | | |
| Wire flexible [mm ²] | 1,5-2,5 | | | 2,5-6 | | |
| solid [mm ²] | 1,5-4 | | | 2,5-10 | | |
| Weight [g] | 1130 | 1150 | 1190 | 1210 | 1220 | 1270 |

- with screw terminals
- housing material: PC/ABS
- contacts: nickel-plated contacts
- mechanical interlock
- top, bottom or rear entry
- incl. threaded bung

IP67 watertight

* Option: M32 or closed

Advantages:

- stable design for wall mounting
- mechanical interlock:
 - after plugging and switching-on plug is locked
 - after switching-off and unplugging switch is locked
- all components are mounted on bottom
- large connecting area
- ready wired for connection
- for 16A and 32A wiring-through
- at switch-off position: lockable by padlock (40mm) 

110V~

50/60Hz
4h

230V~

50/60Hz
3p=6h
4p+5p=9h

400V~

50/60Hz
3p=9h
4p+5p=6h

500V~

50/60Hz
7h

| Amp. | Poles | pack. unit | Cat.No. | Cat.No. | Cat.No. | Cat.No. |
|------|-------|------------|---------|---------------|---------------|---------|
| 16 | 3 | 1 | 7513-4 | 7513-6 | 7513-9 | 7513-7 |
| 16 | 4 | 1 | 7514-4 | 7514-9 | 7514-6 | 7514-7 |
| 16 | 5 | 1 | 7515-4 | 7515-9 | 7515-6 | 7515-7 |
| 32 | 3 | 1 | 7523-4 | 7523-6 | 7523-9 | 7523-7 |
| 32 | 4 | 1 | 7524-4 | 7524-9 | 7524-6 | 7524-7 |
| 32 | 5 | 1 | 7525-4 | 7525-9 | 7525-6 | 7525-7 |



7525-6

| | | | | | | |
|----|---|---|---------|----------------|----------------|---------|
| 16 | 3 | 1 | 75132-4 | 75132-6 | 75132-9 | 75132-7 |
| 16 | 4 | 1 | 75142-4 | 75142-9 | 75142-6 | 75142-7 |
| 16 | 5 | 1 | 75152-4 | 75152-9 | 75152-6 | 75152-7 |
| 32 | 3 | 1 | 75232-4 | 75232-6 | 75232-9 | 75232-7 |
| 32 | 4 | 1 | 75242-4 | 75242-9 | 75242-6 | 75242-7 |
| 32 | 5 | 1 | 75252-4 | 75252-9 | 75252-6 | 75252-7 |



75252-6

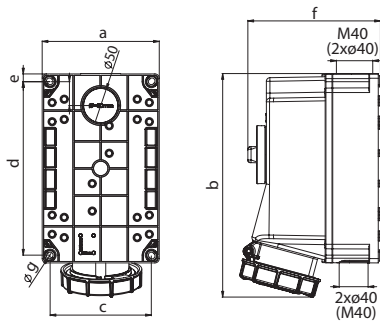
■ ■ ■ Technical data:

- switched interlocked socket
- 16A and 32A 3-, 4- and 5 poles
- IP44 and IP67
- **ON/OFF switch PCE-Merz ML0; EN 60947-3; AC22A, 10kA**
- large connection area
- enclosure made of shock-resistant thermoplastic material
- approved acc. to EN60309, ÖVE



Switched interlocked sockets – for wall mounting

mechanical interlock, lockable by padlock




Switched interlocked socket – wall mounting

| Poles | 63 Amp | | |
|----------------------------------|--------|----------------|------|
| | 3 | 4 | 5 |
| a | 162 | 162 | 162 |
| b | 310 | 310 | 310 |
| c | 140 | 140 | 140 |
| d | 240 | 240 | 240 |
| e | 11 | 11 | 11 |
| f | 184 | 184 | 184 |
| g | 9 | 9 | 9 |
| Connection type: | | Screw terminal | |
| Wire flexible [mm ²] | | 6-25 | |
| solid [mm ²] | | 6-35 | |
| Weight [g] | 2049 | 2032 | 2179 |

- with screw terminals
- housing material: PC/ABS
- contacts: brass with lamellar contact CuBe
- mechanical interlock
- top, bottom or rear entry
- housing can be rotated by 180°
- incl. threaded bung

IP66/67 watertight

Advantages:

- housing material: high shock-resistant PC/ABS
- stable design for wall mounting
- suitable for in- and outdoor installations
- mechanical interlock:
 - after plugging and switching-on plug is locked
 - after switching-off and unplugging switch is locked
- generously sized connecting area
- ready wired for connection
- at switch-off position: lockable by padlock 40mm 
- external screws made of stainless steel

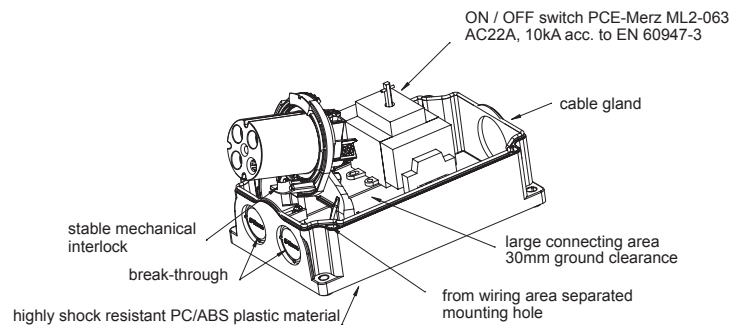
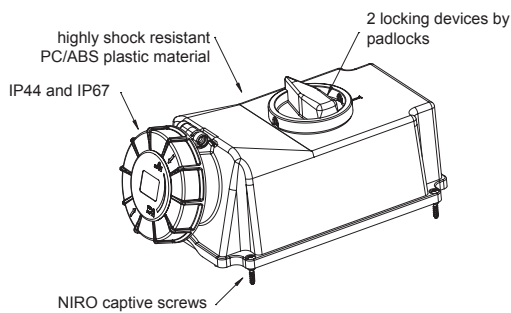
Special designs available on request

| Amp. | Poles | pack. unit | 110V~ | 230V~ | 400V~ | 500V~ |
|------|-------|------------|---------------|------------------------------|------------------------------|---------------|
| | | | Cat.No. | Cat.No. | Cat.No. | Cat.No. |
| | | | 50/60Hz 4h | 50/60Hz 3p=6h 4p+5p=9h | 50/60Hz 3p=9h 4p+5p=6h | 50/60Hz 7h |
| 63 | 3 | 1 | 75332-4 | 75332-6 | 75332-9 | 75332-7 |
| 63 | 4 | 1 | 75342-4 | 75342-9 | 75342-6 | 75342-7 |
| 63 | 5 | 1 | 75352-4 | 75352-9 | 75352-6 | 75352-7 |



75352-6

63A version



■ ■ ■ Technical data 63A:

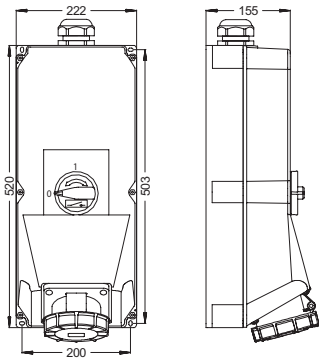
- 63A 3-, 4- and 5 poles
- terminals max. 25/35mm²
- multiple cable entry options
- degree of protection IP66/67
- circuit breaker PCE Merz ML2-063
 - category AC22A, 690V (AC3, 690V, 3~, 22kW)
 - rated conditional short-circuit-current 10kA
 - mechanical life of 30.000 cycles
- approved acc. to EN60309, ÖVE



Switched interlocked sockets – for wall mounting

mechanical or electric interlock, lockable by padlock

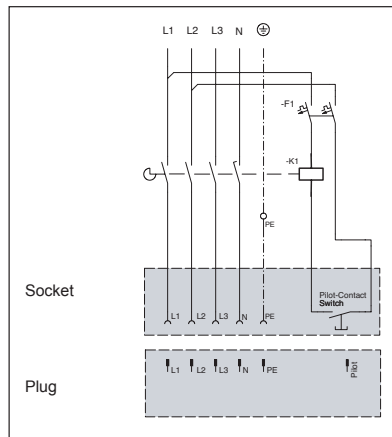
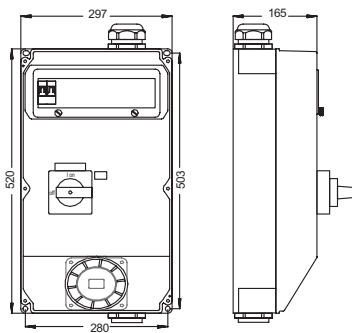
Switched interlocked socket – mechanical interlock 125A



- **WxHxD = 520x222x155mm**
- with screw terminals
- housing material: PC/ABS
- contacts: brass with lamellar contact CuBe
- mechanical interlock
- top entry
- compact design

IP67 watertight

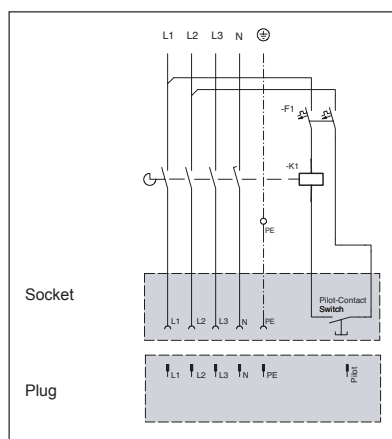
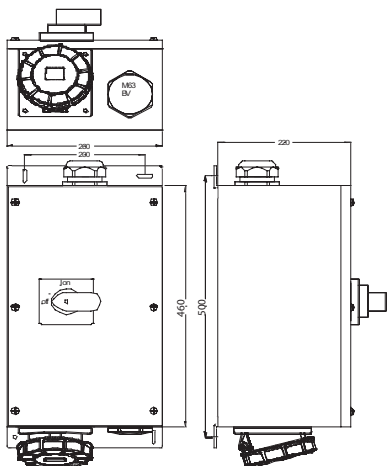
Switched interlocked socket – electric interlock 125A



- **WxHxD = 520x297x165mm**
- material PC/ABS
- compact design
- controlled by circuit breaker 125A 4p with integrated low voltage circuit breaker 400V by PCS-system (see page 10)
- top or bottom entry (M63)
- control circuit protected with circuit breaker 10A 2p
- thermic release adjustable from 0,7 to 1 In
- manual resetting after voltage breakdown of the entry (trip position)

IP54 splash- and dustproof
IP66 on request

Switched interlocked socket – electric interlock 125A



- **WxHxD = 460x260x220mm**
- metal housing (RAL 7035), protection degree IP66
- controlled by circuit breaker 125A 4p with integrated low voltage circuit breaker 400V by PCS-system (see page 10)
- optional with integrated RCD protection device
- wall mounting devices outside
- top or bottom entry (M63)
- control circuit protected with circuit breaker 10A 2p
- thermic release adjustable from 0,7 to 1 In
- manual resetting after voltage breakdown of the entry (trip position)

IP66 watertight

Circuit diagram

■ ■ ■ Technical data 125A:

- 125A 3-, 4- and 5 poles
- terminals max. 70/50mm²
- cable gland M50 (cable diameter 32-38mm)
- degree of protection IP66 or 67

110V~

50/60Hz
4h

230V~

50/60Hz
3p=6h
4p+5p=9h

400V~

50/60Hz
3p=9h
4p+5p=6h

500V~

50/60Hz
7h

| Amp. | Poles | pack. unit | Cat.No. | Cat.No. | Cat.No. | Cat.No. |
|------|-------|------------|---------|----------------|----------------|---------|
| 125 | 3 | 1 | 9755090 | 9755102 | 9755091 | 9755101 |
| 125 | 4 | 1 | 9755095 | 9755096 | 9755099 | 9755098 |
| 125 | 5 | 1 | 9755104 | 9755105 | 9755100 | 9755103 |

Special designs available on request



| | | | | | | |
|-----|---|---|--|--|----------------|--|
| 125 | 5 | 1 | | | 9029100 | |
|-----|---|---|--|--|----------------|--|



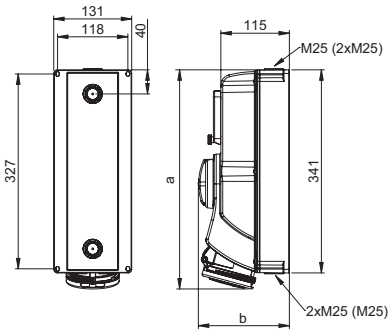
| | | | | | | |
|-----|---|---|--|--|----------------|--|
| 125 | 5 | 1 | | | 9754100 | |
|-----|---|---|--|--|----------------|--|



- circuit breaker PCE Merz ML3
 - category AC22A, 690V (AC3, 690V, 3~, 45kW)
 - rated conditional short-circuit-current 10kA
 - mechanical life of 30.000 cycles
- approved acc. to EN60309, ÖVE

Switched interlocked sockets – with DIN-rail

mechanical interlock, lockable by padlock



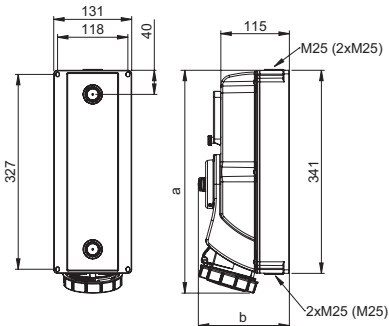
Switched interlocked socket – wall mounting

| Poles | 16 Amp | | | 32 Amp | | |
|----------------------------------|---------|------|------|--------|------|------|
| | 3 | 4 | 5 | 3 | 4 | 5 |
| a | 359 | 359 | 359 | 369 | 369 | 369 |
| b | 153 | 153 | 153 | 153 | 153 | 153 |
| M | 3x25 | 3x25 | 3x25 | 3x25 | 3x25 | 3x25 |
| Connection type: Screw terminal | | | | | | |
| Wire flexible [mm ²] | 1,5-2,5 | | | 2,5-6 | | |
| solid [mm ²] | 1,5-4 | | | 2,5-10 | | |
| Weight [g] | 1454 | 1459 | 1505 | 1510 | 1523 | 1570 |

* Option: M32 or closed

- with screw terminals
- housing material: PC/ABS
- contacts: nickel-plated contacts
- mechanical interlock
- top, bottom or rear entry
- incl. threaded bung
- with DIN-rail and hinged window for 5 modules

IP44 splashproof



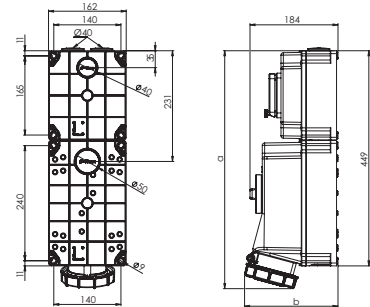
Switched interlocked socket – wall mounting

| Poles | 16 Amp | | | 32 Amp | | |
|----------------------------------|---------|------|------|--------|------|------|
| | 3 | 4 | 5 | 3 | 4 | 5 |
| a | 361 | 361 | 363 | 371 | 371 | 372 |
| b | 153 | 153 | 153 | 153 | 153 | 153 |
| M | 3x25 | 3x25 | 3x25 | 3x25 | 3x25 | 3x25 |
| Connection type: Screw terminal | | | | | | |
| Wire flexible [mm ²] | 1,5-2,5 | | | 2,5-6 | | |
| solid [mm ²] | 1,5-4 | | | 2,5-10 | | |
| Weight [g] | 1489 | 1494 | 1540 | 1545 | 1557 | 1605 |

* Option: M32 or closed

- with screw terminals
- housing material: PC/ABS
- contacts: nickel-plated contacts
- mechanical interlock
- top, bottom or rear entry
- incl. threaded bung
- with DIN-rail and hinged window for 5 modules

IP67 watertight



Power Twist Switched interlocked socket – wall mounting

| Poles | 63 Amp | | |
|--|--------|------|------|
| | 3 | 4 | 5 |
| a | 496 | 496 | 496 |
| b | 195 | 195 | 195 |
| Connection type: Contact frame with screws | | | |
| Wire flexible [mm ²] | 6-16 | | |
| solid [mm ²] | 6-16 | | |
| Weight [g] | 2900 | 2975 | 3050 |

- contact frame with screws
- housing material: PC/ABS
- contacts: brass with lamellar contact CuBe
- mechanical interlock
- top, bottom or rear entry
- incl. threaded bung
- with DIN-rail and hinged window for 6 modules

IP66/67 watertight

■ ■ ■ Technical data to 16A and 32A version:

- like Series 75 ... but:
- large version with spring-loaded window for 5 modules
- integrated DIN-rail EN 50022 for standard fuses, e.g. MCBs, RCDs, etc. with cap-dimensions: 45 mm
- ready wired for connection up to DIN-rail

110V~

50/60Hz
4h

230V~

50/60Hz
3p=6h
4p+5p=9h

400V~

50/60Hz
3p=9h
4p+5p=6h

500V~

50/60Hz
7h

| Amp. | Poles | pack. unit | Cat.No. | Cat.No. | Cat.No. | Cat.No. |
|------|-------|------------|---------|---------------|---------------|---------|
| 16 | 3 | 1 | 7613-4 | 7613-6 | 7613-9 | 7613-7 |
| 16 | 4 | 1 | 7614-4 | 7614-9 | 7614-6 | 7614-7 |
| 16 | 5 | 1 | 7615-4 | 7615-9 | 7615-6 | 7615-7 |
| 32 | 3 | 1 | 7623-4 | 7623-6 | 7623-9 | 7623-7 |
| 32 | 4 | 1 | 7624-4 | 7624-9 | 7624-6 | 7624-7 |
| 32 | 5 | 1 | 7625-4 | 7625-9 | 7625-6 | 7625-7 |



7625-6

| | | | | | | |
|----|---|---|---------|----------------|----------------|---------|
| 16 | 3 | 1 | 76132-4 | 76132-6 | 76132-9 | 76132-7 |
| 16 | 4 | 1 | 76142-4 | 76142-9 | 76142-6 | 76142-7 |
| 16 | 5 | 1 | 76152-4 | 76152-9 | 76152-6 | 76152-7 |
| 32 | 3 | 1 | 76232-4 | 76232-6 | 76232-9 | 76232-7 |
| 32 | 4 | 1 | 76242-4 | 76242-9 | 76242-6 | 76242-7 |
| 32 | 5 | 1 | 76252-4 | 76252-9 | 76252-6 | 76252-7 |



76252-6

| | | | | | | |
|----|---|---|---------|----------------|----------------|---------|
| 63 | 3 | 1 | 76332-4 | 76332-6 | 76332-9 | 76332-7 |
| 63 | 4 | 1 | 76342-4 | 76342-9 | 76342-6 | 76342-7 |
| 63 | 5 | 1 | 76352-4 | 76352-9 | 76352-6 | 76352-7 |



76352-6

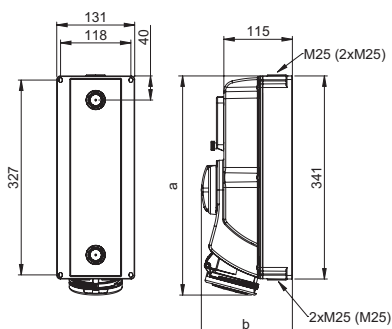
■ ■ ■ Technical data to 63A version:

- like Series 75 ... but:
- window with 6 modules
- integrated DIN-rail EN 50022 for standard fuses, e.g. MCBs, RCDs, etc. with cap-diameters: 45mm
- ready wired for connection up to DIN-rail



Switched interlocked sockets – with fuse

mechanical interlock, lockable by padlock



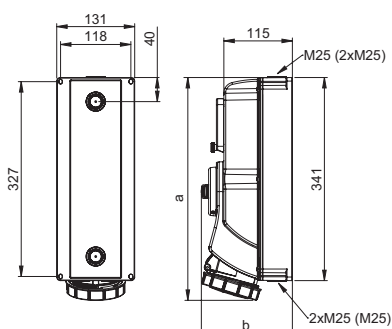
Switched interlocked socket – wall mounting

| Poles | 16 Amp | | | 32 Amp | | |
|----------------------------------|---------------|------|------|--------|------|------|
| | 3 | 4 | 5 | 3 | 4 | 5 |
| a | 359 | 359 | 359 | 369 | 369 | 369 |
| b | 153 | 153 | 153 | 153 | 153 | 153 |
| M | 3x25 | 3x25 | 3x25 | 3x25 | 3x25 | 3x25 |
| Connection type: | Schraubklemme | | | | | |
| Wire flexible [mm ²] | 1,5-2,5 | | | 2,5-6 | | |
| solid [mm ²] | 1,5-4 | | | 2,5-10 | | |
| Weight [g] | 1789 | 1794 | 1840 | 1845 | 1858 | 1905 |

* Option: M32 or closed

- with screw terminals
- housing material: PC/ABS
- contacts: nickel-plated contacts
- mechanical interlock
- top, bottom or rear entry
- incl. threaded bung
- fuse - Neozed (> 400V cylindrical fuse 14x51)

IP44 splashproof



Switched interlocked socket – wall mounting

| Poles | 16 Amp | | | 32 Amp | | |
|----------------------------------|---------------|------|------|--------|------|------|
| | 3 | 4 | 5 | 3 | 4 | 5 |
| a | 361 | 361 | 363 | 371 | 371 | 372 |
| b | 153 | 153 | 153 | 153 | 153 | 153 |
| M | 3x25 | 3x25 | 3x25 | 3x25 | 3x25 | 3x25 |
| Connection type: | Schraubklemme | | | | | |
| Wire flexible [mm ²] | 1,5-2,5 | | | 2,5-6 | | |
| solid [mm ²] | 1,5-4 | | | 2,5-10 | | |
| Weight [g] | 1819 | 1824 | 1870 | 1875 | 1888 | 1935 |

* Option: M32 or closed

- with screw terminals
- housing material: PC/ABS
- contacts: nickel-plated contacts
- mechanical interlock
- top, bottom or rear entry
- incl. threaded bung
- fuse - Neozed (> 400V cylindrical fuse 14x51)

IP67 watertight

■ ■ ■ Technical data to 16A and 32A version:

- like Series 76 ... but:
- with fuse:
for 16A and 32A: Neozed D01, D02; > 400V: cylindr. fuse 14x51
- ready wired
- special designs (switch on bottom, window on top) available on request!

110V~

50/60Hz
4h

230V~

50/60Hz
3p=6h
4p+5p=9h

400V~

50/60Hz
3p=9h
4p+5p=6h

500V~

50/60Hz
7h

| Amp. | Poles | pack. unit | Cat.No. | Cat.No. | Cat.No. | Cat.No. |
|------|-------|------------|---------|---------------|---------------|---------|
| 16 | 3 | 1 | 7813-4 | 7813-6 | 7813-9 | 7813-7 |
| 16 | 4 | 1 | 7814-4 | 7814-9 | 7814-6 | 7814-7 |
| 16 | 5 | 1 | 7815-4 | 7815-9 | 7815-6 | 7815-7 |
| 32 | 3 | 1 | 7823-4 | 7823-6 | 7823-9 | 7823-7 |
| 32 | 4 | 1 | 7824-4 | 7824-9 | 7824-6 | 7824-7 |
| 32 | 5 | 1 | 7825-4 | 7825-9 | 7825-6 | 7825-7 |



7825-6

| | | | | | | |
|----|---|---|---------|----------------|----------------|---------|
| 16 | 3 | 1 | 78132-4 | 78132-6 | 78132-9 | 78132-7 |
| 16 | 4 | 1 | 78142-4 | 78142-9 | 78142-6 | 78142-7 |
| 16 | 5 | 1 | 78152-4 | 78152-9 | 78152-6 | 78152-7 |
| 32 | 3 | 1 | 78232-4 | 78232-6 | 78232-9 | 78232-7 |
| 32 | 4 | 1 | 78242-4 | 78242-9 | 78242-6 | 78242-7 |
| 32 | 5 | 1 | 78252-4 | 78252-9 | 78252-6 | 78252-7 |



78252-6

