



# CONTAINER PLUGS AND SOCKETS



## Container plugs and sockets

PCE container plugs and sockets are specially designed for the rough condition on reefer-containers, at harbors and terminals.

- 32A, 4-pole, 3h, 440V
- IP rating IP67
- nickel-plated contacts
- robust design
- external, centric cable gland
- with Lloyd's Register Type Approval\*



### Container products:

- plug\* and connector
- wall socket
- flanged socket straight/sloping
- switched interlocked socket\*
- switched interlocked socket with fuse\*
- special distribution boxes (on request)





## Container Switched interlocked socket

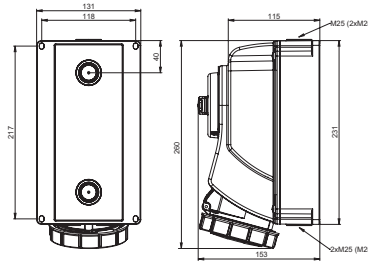
- 32A 4p 3h 440V
- nickel-plated contacts
- up to 3 x M25 cable entries
- mechanical interlock
- lockable by padlock

IP67 watertight



75242-3

pack.unit: 1



## Container Switched interlocked socket with fuse

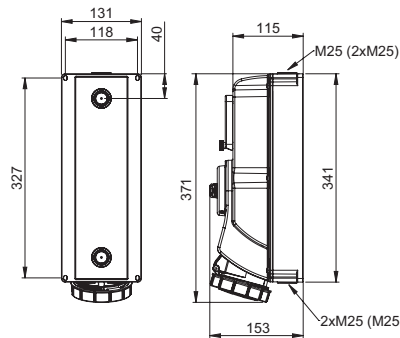
- 32A 4p 3h 440V
- nickel-plated contacts
- cylindrical fuse D02-3p 440V
- up to 3 x M25 cable entries
- mechanical interlock
- lockable by padlock

IP67 watertight



78242-3

pack.unit: 1



## Container Switched interlocked socket with DIN rail

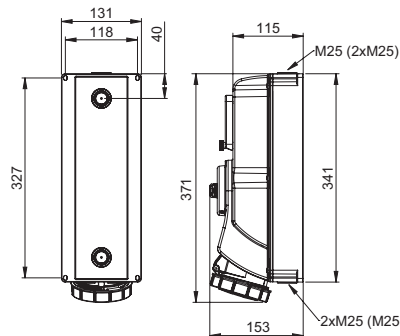
- 32A 4p 3h 440V
- nickel-plated contacts
- DIN rail with window for 5 modules
- up to 3 x M25 cable entries
- mechanical interlock
- lockable by padlock

IP67 watertight

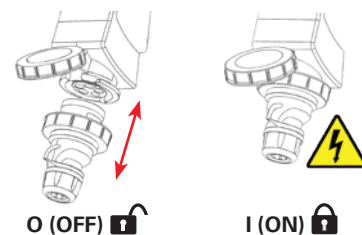


76242-3

pack.unit: 1



- compact design for wall mounting
- nickel-plated contacts
- Series 76/78... with window for 5 units, cap dimensions: 45mm
- mechanical interlock:  
after plugging and switching-on **plug is locked**  
after switching-off and unplugging **switch is locked**
- all components are mounted on bottom
- **large connecting area - easy of installation**
- possibility for wiring through
- ready wired for connection
- at switch-off position: lockable by padlock (40 mm)



Detailed information see page 102 ... „Switched interlocked sockets“.

