

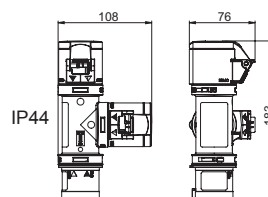
# Multiple-sockets outlet



## T-Connect 2-way connector with CEE plug

- Fittings:**
- 1 CEE-plug 16A 3p 6h
  - 2 CEE-sockets 16A 3p 6h

**IP44** splashproof  
**IP67** watertight



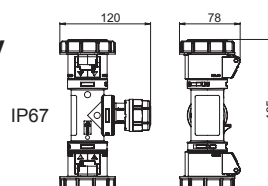
	Cat.No.
<b>IP44</b>	<b>94325103*</b>
<b>IP67</b>	<b>94326103*</b>
pack.unit: 10	



## T-Connect 2-way connector with cable entry

- Fittings:**
- 1 cable entry with cable gland (terminal max. 3x2,5mm<sup>2</sup>)
  - 2 CEE-sockets 16A 3p 6h outlet

**IP44** splashproof  
**IP67** watertight



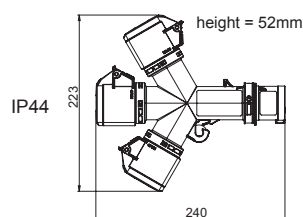
<b>IP44</b>	<b>94325102</b>
<b>IP67</b>	<b>94326102</b>
pack.unit: 10	



## Multiple-socket outlet

- nickel plated contacts
- also available in 110V

**IP44** splashproof  
**IP67** watertight



**Entry:**  
1 CEE-plug 16A 3p 230V

**Outlet:**  
3 CEE-sockets 16A 3p 230V

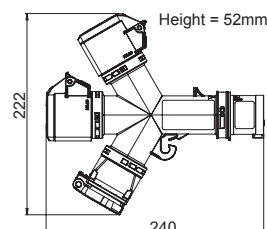
<b>IP44</b>	<b>9432000*</b>
<b>IP67</b>	<b>9432001*</b>



## Multiple-socket outlet

- nickel plated contacts
- also available in 110V
- available also with Belg./French, Danish and British sockets

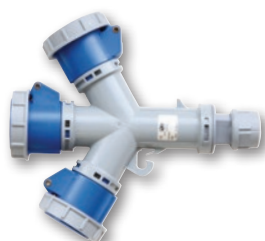
**IP44** splashproof



**Entry:**  
1 CEE-plug 16A 3p 230V

**Outlet:**  
2 CEE-sockets 16A 3p 230V  
1 safety socket 16A 250V

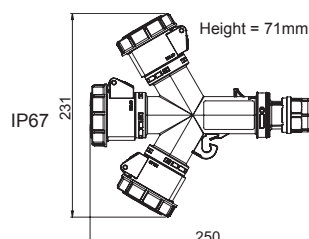
<b>IP44</b>	<b>9432004*</b>
-------------	-----------------



## Multiple-socket outlet

- nickel plated contacts
- also available in 110V

**IP44** splashproof  
**IP67** watertight



**Entry:**  
1 Twist-cable gland prewired on terminals

**Outlet:**  
3 CEE-sockets 16A 3p 230V

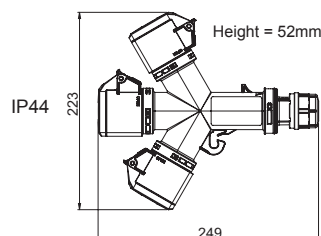
<b>IP44</b>	<b>9432006</b>
<b>IP67</b>	<b>9432007</b>



## Multiple-socket outlet

- nickel plated contacts
- also available in 110V

**IP44** splashproof  
**IP67** watertight



**Entry:**  
1,5m cable with plug 16A 3p 230V

**Outlet:**  
3 CEE-sockets 16A 3p 230V

<b>IP44</b>	<b>9432002</b>
<b>IP67</b>	<b>9432003</b>

\* Export version (Usage in Austria and Germany not allowed!) - other versions on request

## Multiple-sockets outlet and adaptors

### Adaptor

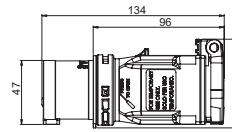
#### CEE-plug 16A 3p / safety socket

- available also with Belg./French, Danish and British sockets
- nickel-plated contacts

IP44 splashproof

**Entry:**  
1 CEE-plug  
16A 3p 230V

**Outlet:**  
1 safety socket 16A 250V



height = 52mm



- German **9433100\***
- Belg./French **9433101\***
- Danish **9433102\***
- English **9433103\***



9433101\*



9433103\*

### Adaptor

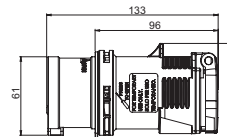
#### CEE-plug 16A 5p / safety socket

- available also with Belg./French, Danish and British sockets
- nickel-plated contacts

IP44 splashproof

**Entry:**  
1 CEE-plug 16A 5p 400V

**Outlet:**  
1 safety socket 16A 250V



height = 66mm



**9433020\***

### Adaptor

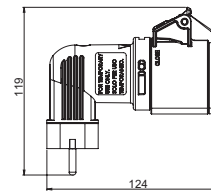
#### Plug for domestic use / CEE-socket outlet

- nickel-plated contacts

IP20

**Entry:**  
1 plug 16A 2p+E 250V  
(dual earthing system)

**Outlet:**  
1 CEE-socket 16A 3p 230V



height = 52mm



**9434100\***

### Adaptor

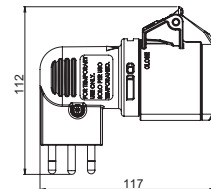
#### Plug for domestic use / CEE-socket outlet

- nickel-plated contacts

IP20

**Entry:**  
1 plug italien system P17

**Outlet:**  
1 CEE-socket 16A 3p 230V



height = 52mm



**9434200\***

### Adaptor

#### CEE-plug 16A 3p / socket outlet for domestic use

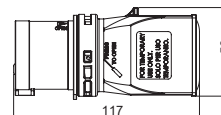
- CEE-plug with nickel-plated contacts

IP20

**Entry:**  
1 CEE-plug 16A 3p 230V

**Outlet:**  
2 italian socket outlets P17/11

**Outlet:**  
1 italian socket outlet P30/17



height = 52mm



**9433180\***



**9433160\***



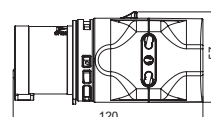
### Adaptor

#### CEE-plug 16A 3p / socket outlet for domestic use

IP20

**Entry:**  
1 CEE-plug 16A 3p 230V

**Outlet:**  
2 italian socket outlets P17/11  
1 italian socket outlet P30/17



height = 53mm



**9433170\***

\* Export version (Usage in Austria and Germany not allowed!) - other versions on request



# Adaptors

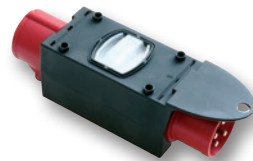


## Adaptor thermoplastic

IP44 splashproof

**Entry:** 1 CEE-plug 16A 5p 400V  
**Outlet:** 1 CEE-socket 32A 5p 400V

9437420



## Reducing adaptor thermoplastic

IP44 splashproof

**Entry:** 1 CEE-phase inverter 16A 5p 400V  
**Outlet:** 1 CEE-socket 32A 5p 400V

9437430

**Entry:** 1 CEE-plug 32A 5p 400V  
**Outlet:** 1 CEE-socket 16A 5p 400V  
1 MCB 16A 3p-C

9436422

**Entry:** 1 CEE-phase inverter 32A 5p 400V  
**Outlet:** 1 CEE-socket 16A 5p 400V  
1 MCB 16A 3p-C

9436432

**Entry:** 1 CEE-plug 32A 5p 400V  
**Outlet:** 1 safety socket 16A 250V  
1 MCB 16A 1p-C

9437633



## Adaptor solid rubber Series FREISTADT

IP44 splashproof

**Entry:** 2m cable 3G4 with CEE-plug 32A 5p 400V  
**Outlet:** 1 safety 16A 250V  
1 x fine-wire fuse 16A slow

9848071

## Adaptor solid rubber Series FREISTADT

IP44 splashproof

**Entry:** 2m cable 3G4 with CEE-plug 32A 5p 400V  
**Outlet:** 1 safety socket (Austr./Germ.) 16A 250V  
1 x MCB 16A 1p-C

9848715



## Adaptor solid rubber Series TRAUNSEE with carrying handle

IP44 splashproof

**Entry:** 2m cable 5G4 with CEE-plug 32A 5p 400V  
**Outlet:** 1 CEE-socket 16A 5p 400V  
1 x MCB 16A 3p-C

9216635

## Adaptor solid rubber Series TRAUNSEE with carrying handle

IP44 splashproof

**Entry:** 2m cable 5G10 with CEE-plug 63A 5p 400V  
**Outlet:** 1 CEE-socket 16A 5p 400V  
1 x MCB 16A 3p-C  
1 x RCD 40/4/0,03A

9216631

## Adaptor solid rubber Series TRAUNSEE with carrying handle

IP44 splashproof

**Entry:** 2m cable 5G10 with CEE-plug 63A 5p 400V  
**Outlet:** 1 CEE-socket 32A 5p 400V  
1 x MCB 32A 3p-C  
1 x RCD 40/4/0,03A

9216645



## Adaptor solid rubber Series Zell with carrying handle

IP44 splashproof

**Entry:** 2m cable 5G16 with CEE-plug 125A 5p 400V  
**Outlet:** 1 CEE-socket 63A 5p 400V  
1 x MCB 63A 3p-C

9226961

Special designs - available on request!

## Testing plugs, CEE adapter cable, plug with switch, motor protection plug

### Rotary field testing plug 16A/32, 5p 400V

- the perfect help for all electricians in industry and on construction sites

**IP44** splashproof

\* only for temporary testing period allowed !  
(not for permanent use)

#### Function and field of applications:

Check of the rotary field on CEE sockets 16A and 32A 5p 400V with 3 indicator lights:

- green light = rotary field right (clockwise)
- white light = rotary field left (counter clockwise)
- Connecting of safety test equipment with safety plug to CEE sockets (e.g. check of residual current devices)
- white and green light = phase missing
- red and green light = neutral or earthing conductor missing

**16A 5p 400V**

**90150-6\***

**32A 5p 400V**

**90250-6\***



### CEE adapter cable

**IP44** splashproof

**Entry:** 1m cable H07RN-F 5G2,5 with **CEE-plug** 16A 5p 400V and **CEE-connector** 32A 5p 400V

**9809051**

**Entry:** 1m cable H07RN-F 5G6 with **CEE-plug** 32A 5p 400V and **CEE-connector** 63A 5p 400V

**980901506204**



### CEE-plug surface mounting + UVR – via contactor

- 16A 5p 400V
- with ON / OFF buttons
- AC3 400V - I<sub>e</sub> = max. 9A/400V
- for motors max. 4kW
- Flange: 85x85, fixing-center: 68x68

**IP44** splashproof

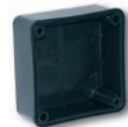
**201620**



### Housing

for CEE plug surface mounting Cat.No. 201620

**352531**



### Motor protection switch with plug

Bottom housing without mounting holes.  
Embossed for holes 68x68mm or 80x80mm.  
Perfect fit for direct mounting on motors.

**IP44** splashproof

Iso-box with motor protection with **CEE-plug 16A 5p 400V** and **padlock barricade** with **andervoltage release (UVR) 400V 50Hz**

Setting range

2,5 - 4,0A	<b>210316</b>
4,0 - 6,3A	<b>210317</b>
6,3 - 10,0A	<b>210318</b>
10,0 - 16,0A	<b>210319</b>

Iso-box with motor protection mit **CEE-plug with phase inverter 16A 5p 400V** and **padlock barricade** with **andervoltage release (UVR) 400V 50Hz**

2,5 - 4,0A	<b>210336</b>
4,0 - 6,3A	<b>210337</b>
6,3 - 10,0A	<b>210338</b>
10,0 - 16,0A	<b>210339</b>





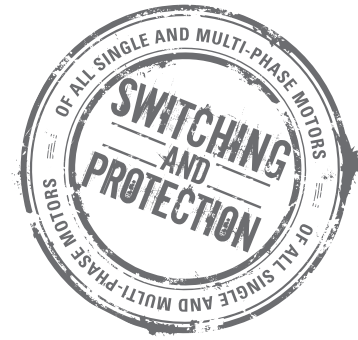
**CEE-PLUGS WITH SWITCH  
MOTOR PROTECTION PLUGS**

## Motor protection plugs

### Results without motor protection plugs:

Do you know the problem of ...

- >> ... a destroyed engine?
- >> ... a defective arrangement?
- >> ... a burnt through winding by overloading?
- >> ... mechanical damage on account of wrong rotation direction?
- >> ... secondary damage such as flooding?



## Field of Applications

### >> Pumps

Submerged pumps, mobile pumping plants, pumps for construction sites, water pumps, ...

### >> Agitators

Mobile machines for mixing (building site machines)

### >> Blowers

Ventilators, space ventilation, ...

### >> Compressors

Breathing air compressors, mobile compressors, ...

### >> Conveyors

Rolling and chain conveyors, band-conveyors, ...

### >> Industrial motors

### >> Construction machines

Circular saws, hand tools, ...

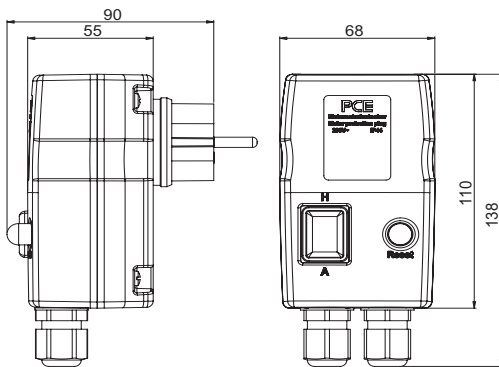
### >> Extractions

mobile laboratory ventilation, smoke extraction, ...



# Motorprotection plugs 16A 230V 1,5 - 8,0A

## Motorprotection with schuko plug 16A 230V for all one-phase motors



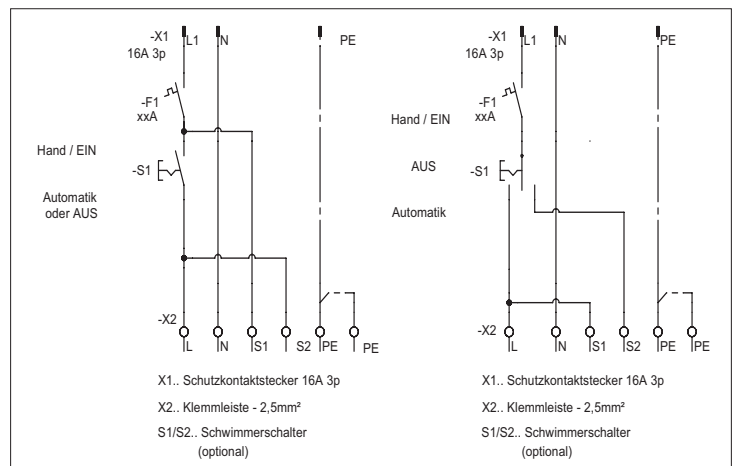
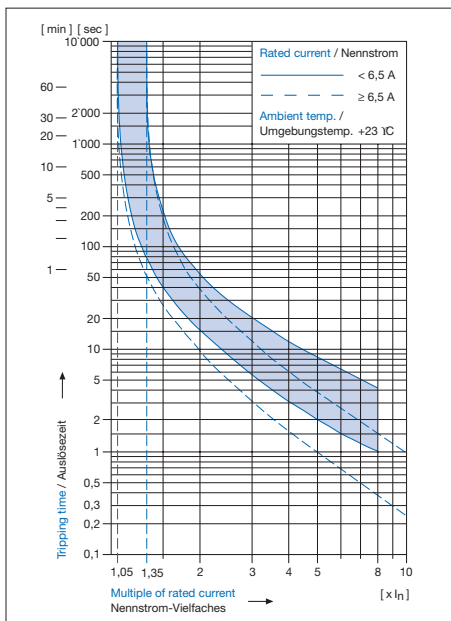
### Technical datas:

- Enclosure material: PC/ABS
- Protection degree: IP44
- IK standard acc. EN50102: IK09
- Temperature range: -5°C to +40°C
- large connection area

### Designs:

- with rocker switch **ON/OFF (I-0)** or **HAND OPERATION/AUTOMATIC (H-A)** for the use of a float switch\*
- with rocker switch **HAND OPERATION/OFF/AUTOMATIC (I - 0 - II)** change between continuous duty, Off and Automatic for the use of a float switch\*
- circuit breaker with external reset switch  
currents: 1,5A, 3A, 4A, 5A, 6,5A, 8A
- cable entry:  
1,5–8,0A: 2xM16 cable glands (ø 5–10mm)  
1x marking for break through enlargement up to ø 20mm

- ■ **The motor protection plug 16A 230V provides reliable protection for overload. It is used mainly for switching and the protection of one-phase AC motors on pumps, circular saws and industrial motors.**



## Motor protection plug 16A 230V

- Hand-operation-Automatic or On-Off  
or
- Hand operation-Off – Automatic
- cable gland: 2xM16 (5–10mm)

**IP44** splashproof

setting  
range  
**1,5A**  
**3,0A**  
**4,0A**  
**5,0A**  
**6,5A**  
**8,0A**

230V~ 50/60Hz	
HAND-AUTOMATIC or ON-OFF	HAND-OFF-AUTOMATIC
<b>56101500</b>	
<b>56103000</b>	<b>56103001</b>
<b>56104000</b>	<b>56104001</b>
<b>56105000</b>	
<b>56106000</b>	
<b>56108000</b>	

\* Float switch see page 193

## Motorprotection plugs 16A 230V 10 - 16A

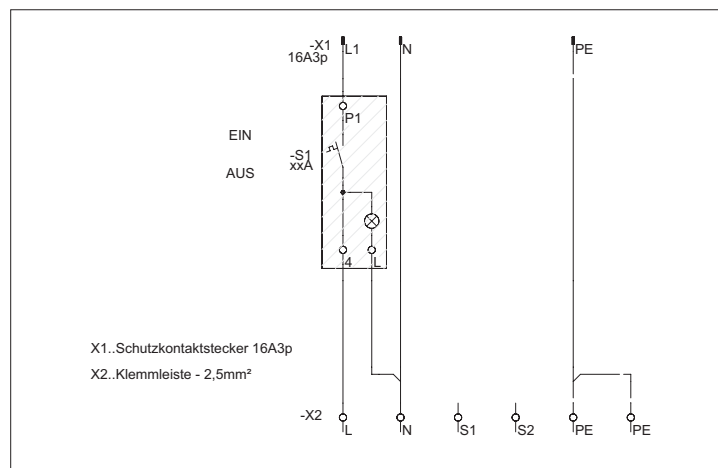
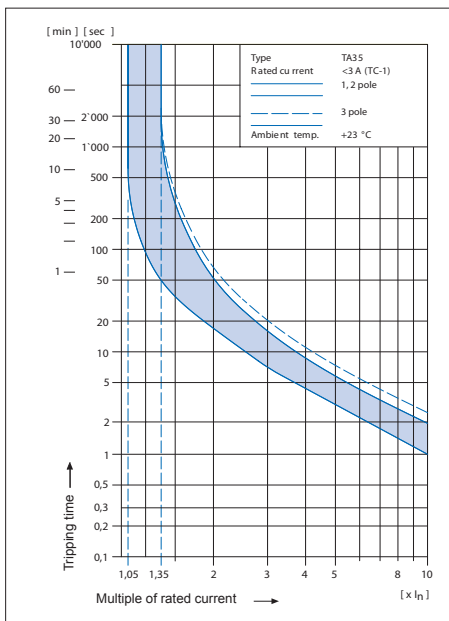
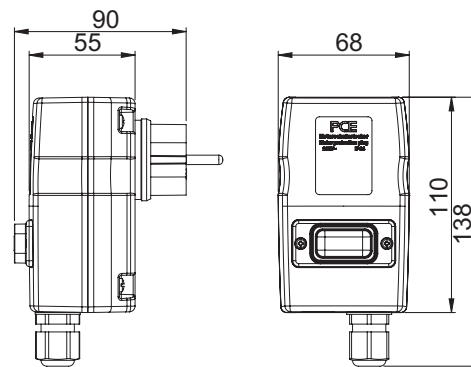
Motorprotection with schuko plug 16A 230V for all one-phase motors

### Technical datas:

- Enclosure material: PC/ABS
- Protection degree: IP44
- IK standard acc. EN50102: IK09
- Temperature range: -5°C to +40°C
- large connection area

### Designs:

- with rocker switch ON/OFF which lights green when switched on
- change between continuous duty, Off and Automatic for the use of a float switch\*
- currents: 10A, 12A, 14A, 15A, 16A
- cable entry:  
10–16A: 1xM16 cable glands (ø 5–10mm)  
1x marking for break through enlargement up to ø 16mm



### Motor protection plug 16A 230V

- Hand-operation-Automatic or On-Off
- cable gland: M16 (5–10mm)

IP44 splashproof

setting  
range

10A  
12A  
14A  
15A  
16A

230V~ 50/60Hz

HAND-AUTOMATIKC  
or ON-OFF

56110004

56112004

56114004

56115004

56116004





# Motorprotection plug with capacitor

## OFF/ON



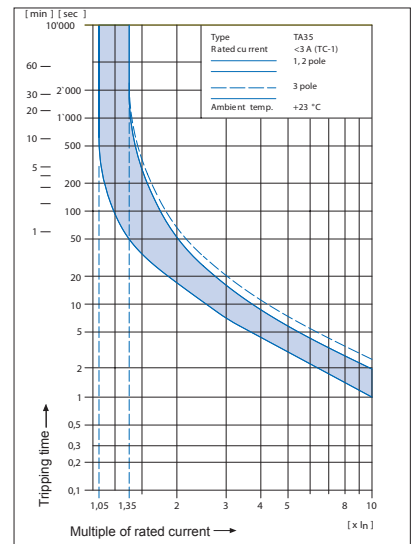
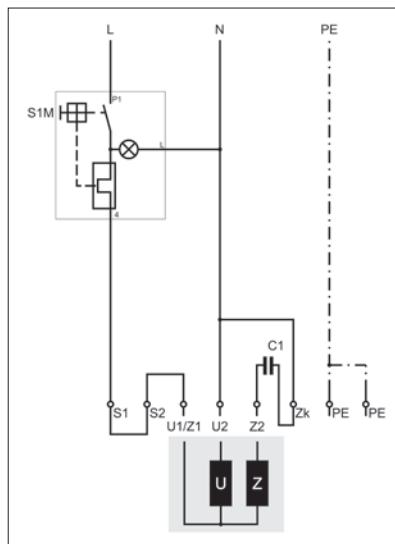
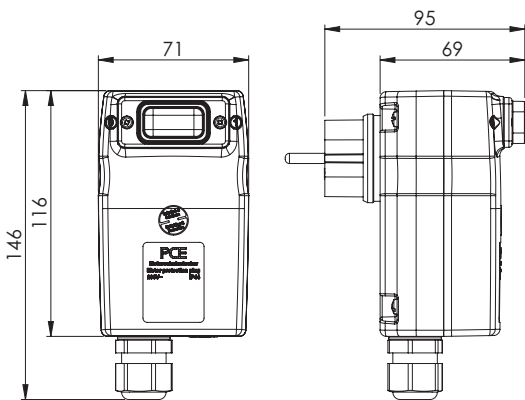
## Motorprotection plug with capacitor 16A 230V for all single phase motors

### Technical datas:

- Enclosure material: PC/ABS
- Protection degree: IP44
- IK standard acc. EN50102: IK09
- Temperature range: -5°C to +40°C
- large connection area
- connecting terminal: 2,5mm<sup>2</sup>

### Designs:

- with rocker switch ON/OFF (0-1)
- switch illuminated
- plug with dual earthing system
- currents: 4A / 6A / 8A / 10A
- integrated capacitor: 20µF / 25µF / 30µF
- cable entry: M20



switch S1M (0/1)	0	1
appliance: e.g.: pump	0	1

S1M    0 = OFF    1 = ON    illumination (green) = power supply existing

## Motorprotection plug with integrated capacitor

- OFF/ON
- cable gland: M20

IP44    splashproof

Amp.

4,0A

6,0A

8,0A

10,0A

	230V~ 50/60Hz		
	C = 20 µF	C = 25 µF	C = 30 µF
4,0A	561040C2001	561040C2501	561040C3001
6,0A	561060C2001	561060C2501	561060C3001
8,0A	561080C2001	561080C2501	561080C3001
10,0A	561100C2001	561100C2501	561100C3001

# Motorprotection plug with capacitor

## Motorprotection plug with capacitor 16A 230V for all single phase motors

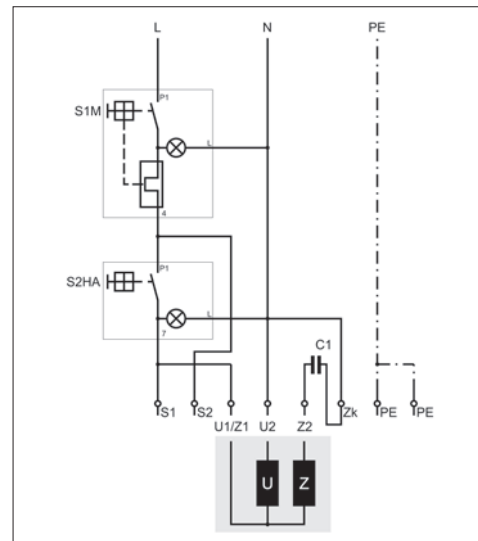
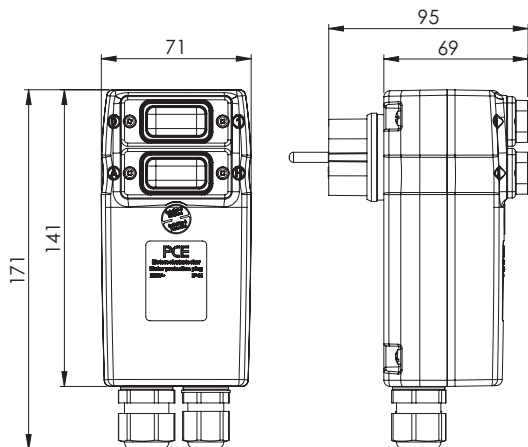
### Technical datas:

- Enclosure material: PC/ABS
- Protection degree: IP44
- IK standard acc. EN50102: IK09
- Temperature range: -5°C to +40°C
- large connection area
- connecting terminal: 2,5mm<sup>2</sup>

### Designs:

- with rocker switch **ON/OFF** (0-1) and **HAND/AUTOMATIC** (H/A)
- switch illuminated
- plug with dual earthing system
- currents: 4A / 6A / 8A / 10A
- integrated capacitor: 20µF / 25µF / 30µF
- cable entry: M20 / M16

### OFF/ON – HAND/AUTOMATIC



switch: S1M (0/1)	0	0	0	0	1	1	1	1
switch: S2HA (H/A)	A	A	H	H	A	A	H	H
external circuit element(0/1) e.g.: float switch	0	1	0	1	1	0	1	0
appliance: e.g.: pump	0	0	0	0	1	0	1	1

S1M	0 = OFF	1 = ON	illumination (green) = power supply existing
S2HA	H = HAND	A = AUTOMATIC	illumination (yellow) = appliance in operating state

## Motorprotection plug with integrated capacitor

- OFF/ON and HAND/AUTOMATIC
- cable gland: M20 and M16

IP44 splashproof

Amp.

4,0A

6,0A

8,0A

10,0A

230V~ 50/60Hz		
C = 20 µF	C = 25 µF	C = 30 µF
561040C2003	561040C2503	561040C3003
561060C2003	561060C2503	561060C3003
561080C2003	561080C2503	561080C3003
561100C2003	561100C2503	561100C3003

\* Float switch see page 193



# CEE-plugs with switch

## CEE-ON/OFF-Switch ML0-Plug



- ON/OFF switch: AC22A, 10kA  $\text{---}\text{O}\text{---}$
  - Cable gland: 16A: 4p M25, 5p M25  
32A: 4p M25, 5p M32
  - 400V~ 50/60Hz 4p+5p=6h
- IP44** splashproof

without operating display  
with operating display

with holder

16A		32A	
4p	5p	4p	5p
54014530	54015530	54024530	54025530
540145301	540155301	540245301	540255301
53xxxxxx	53xxxxxx	53xxxxxx	53xxxxxx

## CEE-ON/OFF-Switch ML0-plug with phase inverter



- ON/OFF switch: AC22A, 10kA  $\text{---}\text{O}\text{---}$
  - Cable gland: 16A: 4p M25, 5p M25  
32A: 4p M25, 5p M32
  - 400V~ 50/60Hz 4p+5p=6h
- IP44** splashproof

without display  
with operating display  
with rotary field check

with holder

16A		32A	
4p	5p	4p	5p
54714530	54715530	54724530	54725530
547145301	547155301	547245301	547255301
547145303	547155303	547245303	547255303
53xxxxxx	53xxxxxx	53xxxxxx	53xxxxxx

## CEE-Reversing switch CA10 (CA25) - plug



- AC22A  $\text{---}\text{O}\text{---}$
  - Reversing switch: 16A CA10, 32A CA25
  - Cable gland: 16A: 4p M25, 5p M25  
32A: 4p M25, 5p M32
  - 400V~ 50/60Hz 4p+5p=6h
- IP44** splashproof

without operating display  
with operating display

with holder

16A		32A	
4p	5p	4p	5p
54014610	54015610	54024625	54025625
540146101	540156101	540246251	540256251
53xxxxxx	53xxxxxx	53xxxxxx	53xxxxxx

Other versions on request !

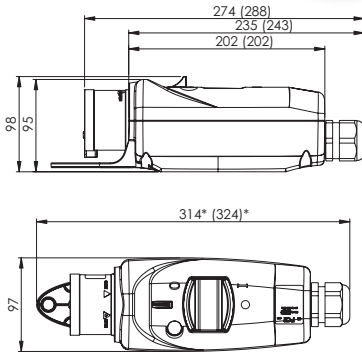
## CEE-Motor protection plugs



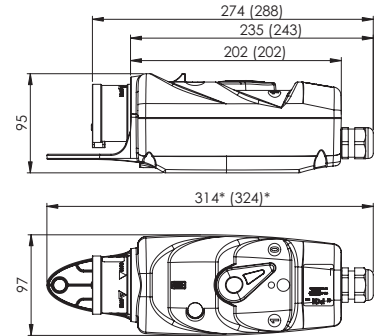
### CEE plug with motor protection switch Z-MS and PKZM0:

#### Technical data:

- housing material: PC/ABS
- protection degree IP44
- IK standard acc. EN50102: IK09
- all designs available with or without holder
- large connection area



- dimensions: 16A (32A)
- \* dimensions only valid for design with holder



#### Details of Z-MS and PKZM0:

- reliable means of protection against thermal overloading and short circuiting
- all protection switches feature thermal overload and magnetic short circuit triggering
- short circuit capacity of Z-MS 10kA and PKZM0: 50kA respectively

#### Rotating field check:

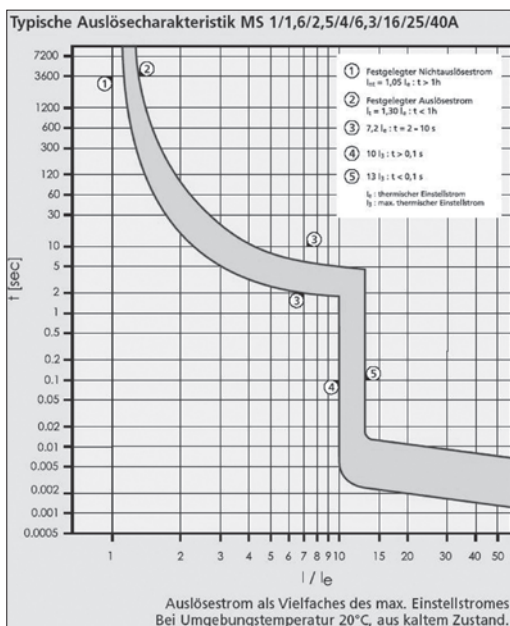
Displays a field rotating in anti-clockwise direction.

#### Operating display:

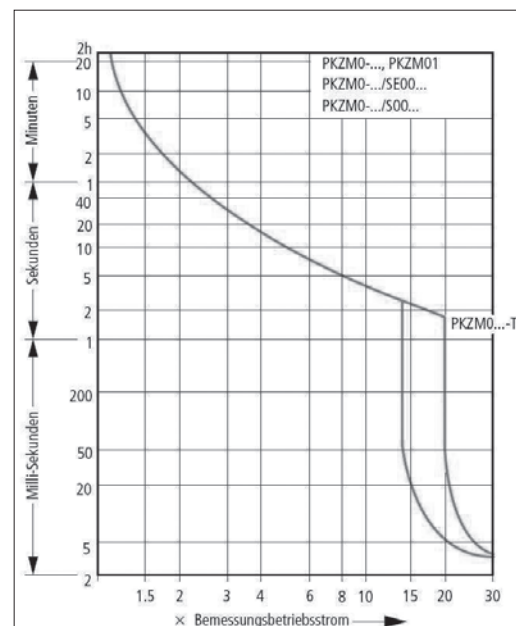
Indicates the voltage supply of two phases of the connector.

- Main field of application: Switching and protection of AC 3-phase motors with outputs of up to 15kW such as industrial motors and those fitted to pumps and circular cold saws etc.

#### Z-MS Characteristic:



#### PKZM0 Characteristic:



# CEE-Motor protection plugs PKZM0 with rotary lever

## CEE-Motor protection plug PKZM0

- cable gland: 16A 4p and 5p M25  
32A 4p M25, 32A 5p M32
- 400V~ 50/60Hz 4p+5p=6h
- 500V version on request

IP44 splashproof



setting range	16A / 400V / 6h		32A / 400V / 6h	
	4p	5p	4p	5p
1,0 - 1,6A	54014016	54015016	54024016	54025016
1,6 - 2,5A	54014025	54015025	54024025	54025025
2,5 - 4,0A	54014040	54015040	54024040	54025040
4,0 - 6,3A	54014063	54015063	54024063	54025063
6,3 - 10A	54014100	54015100	54024100	54025100
10 - 16A	54014160	54015160	54024160	54025160
16 - 20A			54024200	54025200
20 - 25A			54024250	54025250
25 - 32A			54024320	54025320
with holder	53xxxxxx	53xxxxxx	53xxxxxx	53xxxxxx

## CEE-Motor protection plug PKZM0 with operating display

- with operating display
- cable gland: 16A 4p and 5p M25  
32A 4p M25, 32A 5p M32
- 400V~ 50/60Hz 4p+5p=6h
- 500V version on request

IP44 splashproof



setting range	16A / 400V / 6h		32A / 400V / 6h	
	4p	5p	4p	5p
1,0 - 1,6A	540140161	540150161	540240161	540250161
1,6 - 2,5A	540140251	540150251	540240251	540250251
2,5 - 4,0A	540140401	540150401	540240401	540250401
4,0 - 6,3A	540140631	540150631	540240631	540250631
6,3 - 10A	540141001	540151001	540241001	540251001
10 - 16A	540141601	540151601	540241601	540251601
16 - 20A			540242001	540252001
20 - 25A			540242501	540252501
25 - 32A			540243201	540253201
with holder	53xxxxxxx	53xxxxxxx	53xxxxxxx	53xxxxxxx

## CEE-Motor protection plug PKZM0 with phase inverter and rotation field check

- with phase inverter and rotation field check
- cable gland: 16A 4p and 5p M25  
32A 4p M25, 32A 5p M32
- 400V~ 50/60Hz 4p+5p=6h
- 500V version on request

IP44 splashproof



setting range	16A / 400V / 6h		32A / 400V / 6h	
	4p	5p	4p	5p
1,0 - 1,6A	547140163	547150163	547240163	547250163
1,6 - 2,5A	547140253	547150253	547240253	547250253
2,5 - 4,0A	547140403	547150403	547240403	547250403
4,0 - 6,3A	547140633	547150633	547240633	547250633
6,3 - 10A	547141003	547151003	547241003	547251003
10 - 16A	547141603	547151603	547241603	547251603
16 - 20A			547242003	547252003
20 - 25A			547242503	547252503
25 - 32A			547243203	547253203
with holder	53xxxxxxx	53xxxxxxx	53xxxxxxx	53xxxxxxx

Other versions on request!

# CEE-Motor protection plugs Z-MS with toggle switch

## CEE-Motor protection plug Z-MS

- cable gland: 16A 4p and 5p M25  
32A 4p M25, 32A 5p M32
- 400V~ 50/60Hz 4p+5p=6h
- 500V Version on request

IP44 splashproof

setting range	16A / 400V / 6h		32A / 400V / 6h	
	4p	5p	4p	5p
1,0 - 1,6A	51014016	51015016	51024016	51025016
1,6 - 2,5A	51014025	51015025	51024025	51025025
2,5 - 4,0A	51014040	51015040	51024040	51025040
4,0 - 6,3A	51014063	51015063	51024063	51025063
6,3 - 10A	51014100	51015100	51024100	51025100
10 - 16A	51014160	51015160	51024160	51025160
16 - 25A			51024250	51025250
25 - 40A			51024400	51025400
with holder	50xxxxxx	50xxxxxx	50xxxxxx	50xxxxxx



## CEE-Motor protection plug Z-MS with operating display

- with operating display
- cable gland: 16A 4p and 5p M25  
32A 4p M25, 32A 5p M32
- 400V~ 50/60Hz 4p+5p=6h
- 500V version on request

IP44 splashproof

setting range	16A / 400V / 6h		32A / 400V / 6h	
	4p	5p	4p	5p
1,0 - 1,6A	510140161	510140161	510240161	510250161
1,6 - 2,5A	510140251	510140251	510240251	510250251
2,5 - 4,0A	510140401	510140401	510240401	510250401
4,0 - 6,3A	510140631	510140631	510240631	510250631
6,3 - 10A	510141001	510141001	510241001	510251001
10 - 16A	510141601	510141601	510241601	510251601
16 - 25A			510242501	510252501
25 - 40A			510244001	510254001
with holder	50xxxxxx	50xxxxxx	50xxxxxx	50xxxxxx



## CEE-Motor protection plug Z-MS with phase inverter and rotation field check

- with phase inverter and rotation field check
- cable gland: 16A 4p and 5p M25  
32A 4p M25, 32A 5p M32
- 400V~ 50/60Hz 4p+5p=6h
- 500V version on request

IP44 splashproof

setting range	16A / 400V / 6h		32A / 400V / 6h	
	4p	5p	4p	5p
1,0 - 1,6A	517140163	517150163	517240163	517250163
1,6 - 2,5A	517140253	517150253	517240253	517250253
2,5 - 4,0A	517140403	517150403	517240403	517250403
4,0 - 6,3A	517140633	517150633	517240633	517250633
6,3 - 10A	517141003	517151003	517241003	517251003
10 - 16A	517141603	517151603	517241603	517251603
16 - 25A			517242503	517252503
25 - 40A			517244003	517254003
with holder	50xxxxxx	50xxxxxx	50xxxxxx	50xxxxxx



# CEE-Motor protection plugs contactor up to 7,5kW



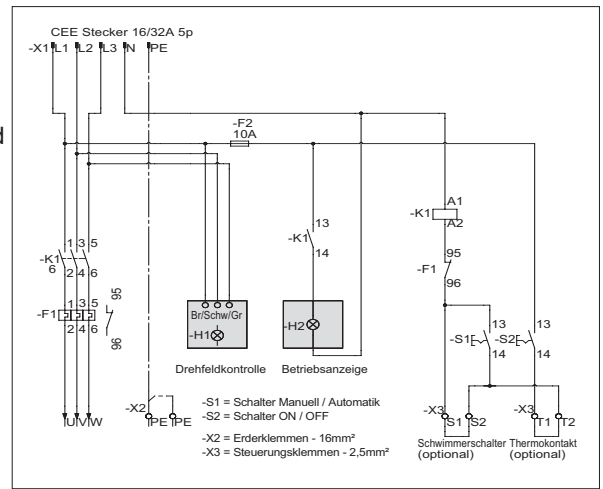
## CEE-Motor protection plug contactor up to 5,5kW (16A) and 7,5kW (32A)

### Technical data:

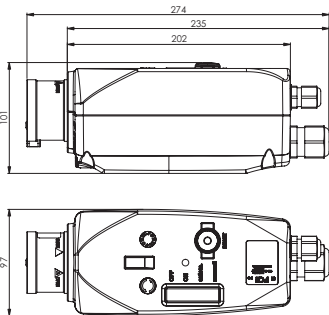
- enclosure material: PC/ABS
- protection degree: IP44
- IK standard acc. to EN50102: IK09
- temperature range: -25° C bis +40°C
- large connection area

### Designs:

- with rocker switch ON/OFF and MANUELL/AUTOMATIC for the use of a float switch\*
- with phase inverter plug
- rotation field check – anticlockwise phase sequence
- operating display – shows the voltage supply of the contactor and therefore of the consumer load
- external reset switch for the motor protection relay
- cable entry:
  - bottom part: 1x cable gland M25 (ø 13–18mm) at 16A and M32 (ø 13–20mm) at 32A
  - top part: 1x cable gland M16 (ø 5–10mm) for float switch (separate drill hole marking for a further M16 cable gland)



The CEE motor protection plug up to 7,5 kW provides reliable protection for thermal overloads and short circuits. It is used mainly for switching and the protection of three-phase AC motors up to 7,5 kW (400V) on pumps, circular saws and industrial motors etc ...

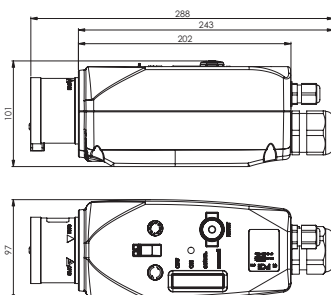


### CEE-Motor protection plug with contactor 16A 5p 400V

- with phase inverter plug
- with operation display
- with rotation field check
- cable gland M25 (13–18mm)

IP44 splashproof

setting-range	contactor (AC3)	16A
1,0 - 1,6A	4,0 kW	5571501000
1,6 - 2,4A	4,0 kW	5571501600
2,4 - 4,0A	4,0 kW	5571502400
4,0 - 6,0A	4,0 kW	5571506000
6,0 - 10A	5,5 kW	5571510000
9,0 - 12A	5,5 kW	5571512000
12 - 16A	7,5 kW	5571516000



### CEE-Motor protection plug with contactor 32A 5p 400V

- with phase inverter plug
- with operation display
- with rotation field check
- cable gland M32 (13–20mm)

IP44 splashproof

setting-range	contactor (AC3)	32A
6,0 - 10A	7,5 kW	5572510000
9,0 - 12A	7,5 kW	5572512000
12 - 16A	7,5 kW	5572516000

\* Float switch see page 193

# CEE-Motor protection plugs contactor up to 15 kW

## CEE-Motor protection plug contactor up to 15 kW (32A)

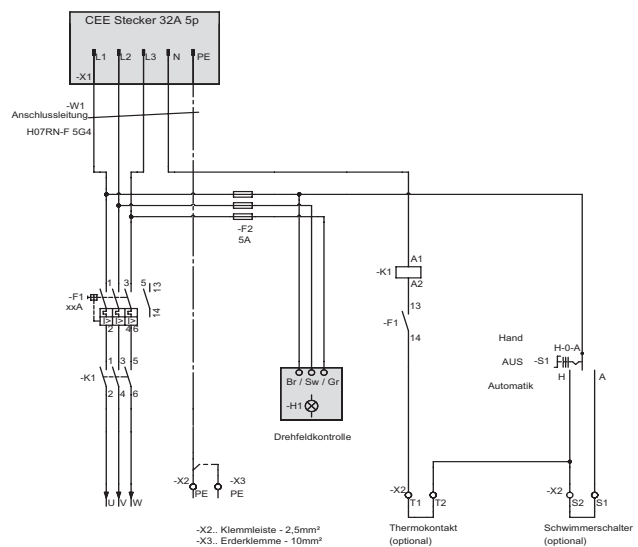
### Technical data:

- enclosure material: solid rubber
- protection degree: IP44 (IP66 on request)
- dimensions: HxWxD = 260x165x90mm
- temperature range: -25°C to +40°C
- large connection area

### Designs:

- with rotary switch I = hand operation, 0 = Off, II = automatic operation
- 2m cable H07RN-F 5G4 with phase inverter plug 32A 5p 400V
- rotation field check – anticlockwise phase sequence
- reset switch behind transparent window
- float switch on request
- level control system and dipped electrodes on request
- cable entry: 1x cable gland M32 (Ø 13–20mm)  
2x cable glands M16 (Ø 5–10mm) for float switch and thermo switch
- operation display contactor

- **The CEE motor protection plug up to 15kW provides reliable protection for thermal overloads and short circuits. It is used mainly for switching and the protection of three-phase AC motors on pumps, circular saws and industrial motors ...**



## CEE-Motor protection plug gland with contactor up to 15 kW (32A)

- with rotary switch I-0-II
- with phase inverter plug
- with rotation field check
- cable gland: M32 (13–20mm)  
2xM16 (5–10mm)



### setting-range

16 - 20A

20 - 25A

25 - 32A

### contactor

12,5 kW

12,5 kW

15,0 kW

**32A**

**9216211**

**9216210**

**9216212**

IP44 splashproof

## Float switch

### Technical data:

- protection degree: IP68
- temperature range: -5°C to +60°C
- switching capacity: max. 400VAC 10(4)A min. 250VAC 10(8)A
- durability: > 50.000 cycles
- beam angle ± 45°
- hysteresis: min. 140mm to max. 400mm

### Designs:

- changer (top: brown-grey, bottom: brown-black)
- hot plate welded housing
- elastomer – sealed cable entry
- cable: Nexans H05RN8-F 4G1mm<sup>2</sup> black (10m or 20m)



with 10m cable  
with 20m cable

**1023011**

**1023012**

