

# DECONTACTOR™



Switch with socket-outlet.

The plugs and sockets as well as socket-outlet boxes and junction boxes in this range are meant for use in hazardous areas in compliance with the ATEX 2014/35/EU Directive and as per the IECEx in zones 1 and 2 (Gas) and zones 21 and 22 (Dust).

FIND ALL INFORMATION  
ON OUR WEBSITE:



[marechal.com](http://marechal.com)



Dimensions  
and certificates



**DXN P. 162**

#### DECONTACTOR™ COMPACT & WATERTIGHT

- II2 G D Ex de IIC, Ex tb IIIC
- IP66/IP67 water- and dust-tight
- Integrated load-break switch
- Robust and compact design
- High performance poly casing
- From 20 A to 63 A
- From -40 °C to +60 °C



**DXA1 P. 174**

#### DECONTACTOR™ METAL

- II2 G D Ex de IIC, Ex tb IIIC
- IP66/IP67 water- and dust-tight
- Integrated load-break switch
- Locking in connected or disconnected by padlockable shaft
- Intended for low temperature -55°C
- 20 A



**DX P. 178**

#### DECONTACTOR™ METAL

- II2 G D Ex de IIC, tD A21
- IP65 water- and dust-tight
- Integrated load-break switch
- Locking in connected or disconnected position by keying axis
- From 20 A to 200 A

# DXN



## DECONTACTOR™ FOR HAZARDOUS AREAS



**20 A/32 A/63 A**

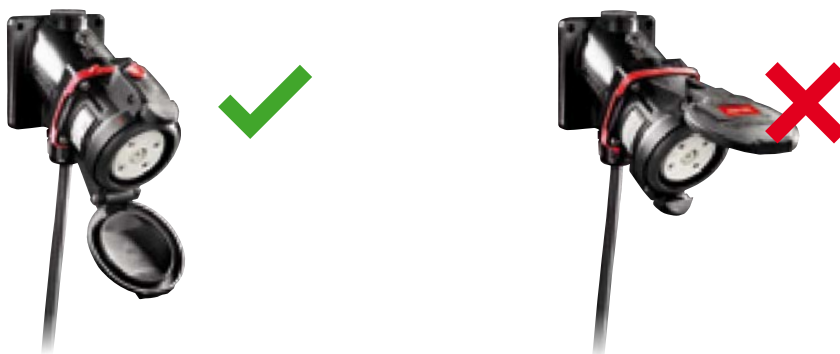
- ▶ II2 G D Ex de IIC, Ex tb IIIC
- ▶ Automatic IP66/IP67 water-and dust-tight
- ▶ Integrated load-break switch
- ▶ Robust and compact design
- ▶ High performance GRP casing

**TECHNICAL FEATURES**

	<b>DXN1</b>	<b>DXN3</b>	<b>DXN6</b>
<b>Rated current (In)</b>	20 A	32 A	63 A
<b>Umax</b>	550 V	750 V	750 V
<b>Auxiliary contacts (optional)</b>	-	2	2
<b>Keying positions <sup>(1)</sup></b>	<<< 24 >>>		
<b>Ambient temperature</b>	<<< -40 °C to +60 °C >>>		
<b>Protection mode</b>	<<< «de» and «tb» >>>		
<b>ATEX zones</b>	<<< Zones 1 and 2 (gas) Zones 21 and 22 (dusts) >>>		

(1) To distinguish between different power supplies and applications

**MOUNTING: LOAD BREAK RELEASE BUTTON SHOULD BE AT THE TOP**



**DECONTACTOR™ DXN are conform to:**

- The ATEX 2014/35/EU Directive,
- IEC/EN 60079-0, IEC/EN 60079-1, IEC/EN 60079-7 and IEC/EN 60079-31 international standards
- The essential safety requirements of IEC 60309-1 & IEC 60309-4 international and European standards (plugs and socket-outlets for industrial purposes),
- The switch utilization categories AC-22 and AC-23 described in IEC/EN 60947-3,
- The French NF C 15-100 standard,
- The European 'Machine Directive' 2006/42/CE regarding equipment isolation,
- The French decree dated 20 December 2011 pertaining to the wiring and operating conditions of movable electrical apparatuses,
- The decrees relating to workers' protection in Belgium, Spain and Italy,

**Also certified by LCIE (ATEX and IECEx), NANIO (TR CU EAC), NCC (INMETRO) and cCSAus (French, Russian, Brazilian and American-Canadian\* European and international notified bodies) and by BUREAU VERITAS MARINE.**

(\* for North-American markets



# DXN1

 DECONTACTOR™ HIGH PERFORMANCE  CASING

20 A IP66/IP67



## MAIN FEATURES

Rated current (with wiring according to standard)	20 A	Flexible wiring (min-max)	1-4 mm <sup>2</sup>
Maximum voltage	550 V	Stranded wiring (min-max)	1,5-6 mm <sup>2</sup>
IP protection lid closed	IP66/IP67	Other wiring	on request
IP protection plug connected	IP66/IP67	Keying positions	24
Shock resistance	IK08	Protection mode	de, tb
Ambient temperature	-40 °C to +60 °C	ATEX zones	1 & 2, 21 & 22

## TEMPERATURE RATING

Gas temperature classes	T6 for an ambient T° between -40 °C and +40 °C
	T5 for an ambient T° between -40 °C and +60 °C
Dust surface temperature classes	Surface T° ≤ 70 °C for an ambient T° between -40 °C and +40 °C
	Surface T° ≤ 90 °C for an ambient T° between -40 °C and +60 °C
Comply with EN 60309-1	20 A/550 V

**SOCKET-OUTLET**  
female  
DXN1 (20 A)



**INLET** male  
DXN1 (20 A)




Each socket outlet or inlet must be associated with a box, a sleeve or a handle.

20-24 V AC	2P	251408A	251808A
220-250 V AC	1P+N+E	2514015	2518015
380-440 V AC	3P+E	2514013	2518013
380-440 V AC	3P+N+E	2514017	2518017
480-500 V AC	3P+E	2514093	2518093
480-500 V AC	3P+N+E	2514097	2518097

► Other voltages, frequencies and contact configurations are available (see page 10).

### MARECHAL ELECTRIC FRANCE

 II 2 G D	Ex de IIC	T* Gb
	Ex tb IIIC	T* Db
*-40 °C ≤ Ta ≤ +60 °C	T5	T90 °C
-40 °C ≤ Ta ≤ +40 °C	T6	T70 °C
IECEX LCI 09.0005X/LCIE 99 ATEX 6027 X		

# DXN3

**EX** DECONTACTOR™ HIGH PERFORMANCE GRP CASING

**32 A IP66/IP67**



### WALL MOUNTING SOCKET DXN3



Wall box poly 30 °  
253A853

Socket-outlet  
2534017



### PLUG DXN3



Straight handle poly  
253A753

Inlet  
2538017

## MAIN FEATURES

Rated current (with wiring according to standard)	32 A	Flexible wiring (min-max)	2,5-10 mm <sup>2</sup>
Maximum voltage	750 V	Stranded wiring (min-max)	2,5-16 mm <sup>2</sup>
IP protection lid closed	IP66/IP67	Other wiring	on request
IP protection plug connected	IP66/IP67	Keying positions	24
Shock resistance	IK08	Protection mode	de, tb
Ambient temperature	-40 °C to +60 °C	ATEX zones	1 & 2, 21 & 22

## TEMPERATURE RATING

Gas temperature classes	T6 for an ambient T° between -40 °C and +40 °C
	T5 for an ambient T° between -40 °C and +60 °C
Dust surface temperature classes	Surface T° ≤ 57 °C for an ambient T° between -40 °C and +40 °C
	Surface T° ≤ 77 °C for an ambient T° between -40 °C and +60 °C
Comply with EN 60309-1	32 A/750 V

### SOCKET-OUTLET female DXN3 (32 A)



### INLET male DXN3 (32 A)



Each socket outlet or inlet must be associated with a box, a sleeve or a handle.

20-24 V AC	2P	253408A	253808A
220-250 V AC	1P+N+E	2534015	2538015
380-440 V AC	3P+E	2534013	2538013
380-440 V AC	3P+N+E	2534017	2538017
480-500 V AC	3P+E	2534093	2538093
480-500 V AC	3P+N+E	2534097	2538097
550 V AC - Auxiliaries 5 A	+ 2 contacts	Ref. + 972	Ref. + 972

► Other voltages, frequencies and contact configurations are available (see page 10).

### MARECHAL ELECTRIC FRANCE

<b>EX</b> II2 G D	Ex de IIC	T* Gb
	Ex tb IIIC	T* Db
*-40 °C ≤ Ta ≤ +60 °C	T5	T77 °C
-40 °C ≤ Ta ≤ +40 °C	T6	T57 °C
IECEX LCI 09.0006/LCIE 05 ATEX 6149		



### WALL MOUNTING SOCKET DXN6



Wall box poly 30°  
256AB53

Socket-outlet  
2564017

### PLUG DXN6



Straight handle poly  
256A753

Inlet  
2568017

## MAIN FEATURES

Rated current (with wiring according to standard)	63 A	Flexible wiring (min-max)	6-16 mm <sup>2</sup>
Maximum voltage	750 V	Stranded wiring (min-max)	6-25 mm <sup>2</sup>
IP protection lid closed	IP66/IP67	Other wiring	on request
IP protection plug connected	IP66/IP67	Keying positions	24
Shock resistance	IK09	Protection mode	de, tb
Ambient temperature	-40 °C to +60 °C	ATEX zones	1 & 2, 21 & 22

## TEMPERATURE RATING

Gas temperature classes	T5 for an ambient T° between -40 °C and +40 °C
	T4 for an ambient T° between -40 °C and +60 °C
Dust surface temperature classes	Surface T° ≤ 87 °C for an ambient T° between -40 °C and +40 °C
	Surface T° ≤ 107 °C for an ambient T° between -40 °C and +60 °C
The essential safety requirements of IEC 60309-1	63 A/750 V

### SOCKET-OUTLET female DXN6 (63 A)



### INLET male DXN6 (63 A)




Each socket outlet or inlet must be associated with a box, a sleeve or a handle.

20-24 V AC	2P	256408A	256808A
220-250 V AC	1P+N+E	2564015	2568015
380-440 V AC	3P+E	2564013	2568013
380-440 V AC	3P+N+E	2564017	2568017
480-500 V AC	3P+E	2564093	2568093
480-500 V AC	3P+N+E	2564097	2568097
550 V AC - Auxiliaries 5 A	+ 2 contacts	Ref. + 972	Ref. + 972








► Other voltages, frequencies and contact configurations are available (see page 10).

### MARECHAL ELECTRIC FRANCE

 II 2 G D	Ex de IIC	T* Gb
	Ex tb IIIC	T* Db
*-40 °C ≤ Ta ≤ +60 °C	T4	T107 °C
-40 °C ≤ Ta ≤ +40 °C	T5	T87 °C
IECEX LCI 09.0007/LCIE 05 ATEX 6150		



## OPTIONS (DETAILS ON PAGE 216)

	DXN1 size 1	DXN3 size 2	DXN6 size 3
<b>LOCKING PIN FOR 2 PADLOCKS Ø 8 mm (PADLOCKS NOT SUPPLIED)</b>			
	Socket-outlet ref. + 843	Socket-outlet ref. + 843	Socket-outlet ref. + 843
<b>SAFETY HASP FOR UP TO 6 PADLOCKS</b>			
	873A541	873A541	873A541
<b>INLET CAP IP66/67</b>			
	251A426	253A426	256A426
<b>IN-LINE CONNECTIONS (A PAIR OF FINGER DRAW PLATES TO AID CLOSING)</b>			
	611A346	613A346	616A346
<b>180° OPENING LID</b>			
	Metal socket ref. + 10	Metal socket ref. + 10	Metal socket ref. + 10
<b>SELF-RETURNING LID (WITHOUT FULL CLOSURE IP40)</b>			
	Socket-outlet ref. +R	Socket-outlet ref. +R	Socket-outlet ref. +R
<b>180° OPENING &amp; SELF-RETURNING LID</b>			
	Socket-outlet ref. + 18	Socket-outlet ref. + 18	Socket-outlet ref. + 18
<b>COMPATIBLE WITH DSN SOCKET</b>			
	Please contact	Please contact	NA
<b>SELF-EJECTING (see References AND OPTIONS DETAILS PAGE 228)</b>			
			





# ACCESSORIES

(SEE PAGE 238 TO CROSS REFERENCE WITH OLDER PART NUMBERS)

## BOXES



DXN1  
size 1

DXN3  
size 2

DXN6  
size 3

### WALL BOX POLY WITH EX POLY CABLE GLAND



30°	5-10 mm	251AB5316P		
30°	10-14 mm	251AB53	253AB53	
30°	12-18 mm	251AB5325P	253AB5325P	256AB53

### WALL BOX POLY WITHOUT CABLE GLAND



30°	M20	251AB53417	253AB53417	
30°	M25	251AB53418	253AB53418	256AB53418

### WALL BOX POLY WITHOUT TERMINAL BLOCKS



120 X 120 mm  
FOR DXN1

160 X 160 mm  
FOR DXN3/6

30°	10-14 mm	251AB8820P	253AB8820P	256AB8820P
30°	12-18 mm	251AB8825P	253AB8825P	256AB8825P
30°	16-25 mm	251AB8832P	253AB8832P	256AB8832P
30°	22-32 mm			256AB8840P

### WALL BOX POLY WITH TERMINAL BLOCKS (IECEX LCIE 16.0042X/LCIE 16 ATEX 3054X)



120 X 120 mm  
FOR DXN1

160 X 160 mm  
FOR DXN3/6

30°	10-14 mm	251A08820P <sup>(1)</sup>	253A08820P <sup>(2)</sup>	256A08820P <sup>(3)</sup>
30°	12-18 mm	251A08825P <sup>(1)</sup>	253A08825P <sup>(2)</sup>	256A08825P <sup>(3)</sup>
30°	16-25 mm		253A08832P <sup>(2)</sup>	256A08832P <sup>(3)</sup>
30°	22-32 mm			256A08840P <sup>(3)</sup>

- With 2 holes (1 with a cable gland + 1 with a stopping plug), with 8+2E 4 mm<sup>2</sup> terminals blocks + 2,5 mm<sup>2</sup> wires, wiring 1 - 4mm<sup>2</sup>.  
For alternatives, please contact us.
- With 2 holes (1 with a cable gland + 1 with a stopping plug), with 8+2E 10 mm<sup>2</sup> terminals blocks + 6 mm<sup>2</sup> wires, wiring 2.5 - 10mm<sup>2</sup>.  
For alternatives, please contact us.
- With 2 holes (1 with a cable gland + 1 with a stopping plug), with 8+2E 16 mm<sup>2</sup> terminals blocks + 16 mm<sup>2</sup> wires, wiring 6 - 16mm<sup>2</sup>.  
For alternatives, please contact us.

#### IN THIS CONFIGURATION

-40 °C ≤ Ta ≤ +55 °C T4 T105 ° C  
-40 °C ≤ Ta ≤ +50 °C T5 T95 ° C

## LEGEND FOR OPTIONAL ACCESSORIES



Angle



Threading or gland size



EMC option





HT 240° C




Self-ejection

INFO +

SLEEVE		DXN1 size 1	DXN3 size 2	DXN6 size 3
<b>INCLINED POLY SLEEVE</b>				
	30°	251A057	253A027	256A027

	70°	251A757	253A757	256A757
---	-----	---------	---------	---------


HANDLE		DXN1 size 1	DXN3 size 2	DXN6 size 3
<b>POLY HANDLE WITH POLY CABLE GLAND</b>				

	10-14 mm	251A753	253A753	256A25320P
	12-18 mm	251A25325P	253A783	256A753
	16-25 mm	251A25332P	253A25332P	256A25332P
	22-32 mm		253A25340P	256A25340P






<b>POLY HANDLE WITH EX GLAND FOR SELF-EJECTION OPTION </b>				
---	--	--	--	--

	10-14 mm	251A463	253A463	
	12-18 mm	251A44325P	253A44325P	256A463
	16-25 mm		253A44332P	256A44332P
	22-32 mm			256A44340P

<b>STRAIGHT POLY HANDLE WITH METAL CABLE GLAND WITH EARTH CONTINUITY</b>				
--	--	--	--	--

	8-10 mm	251A25320M	253A25320M	256A25320M
	12-14 mm	251A25325M	253A25325M	256A25325M
	18-24 mm	251A25332M	253A25332M	256A25332M

**LEGEND FOR OPTIONAL ACCESSORIES**

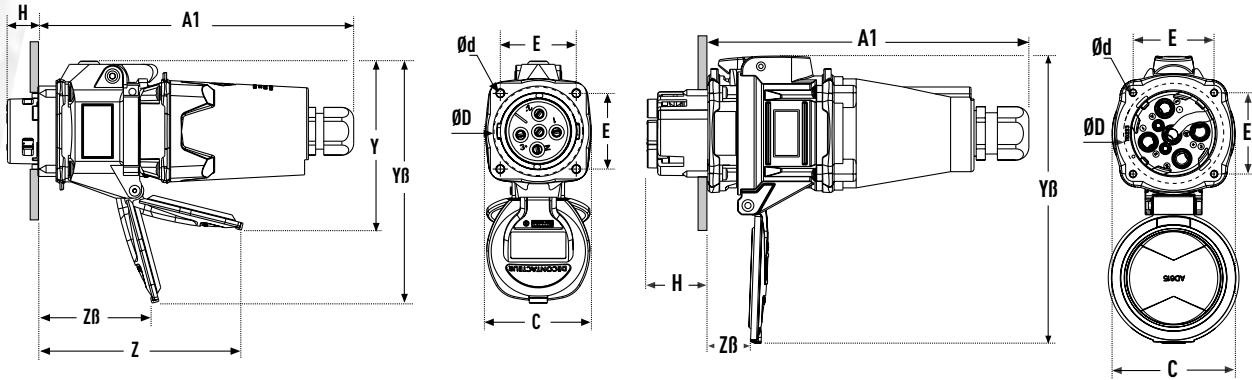
-  Angle
-  Threading or gland size
-  EMC option
-  HT 240° C
-  Self-ejection

**INFO +**

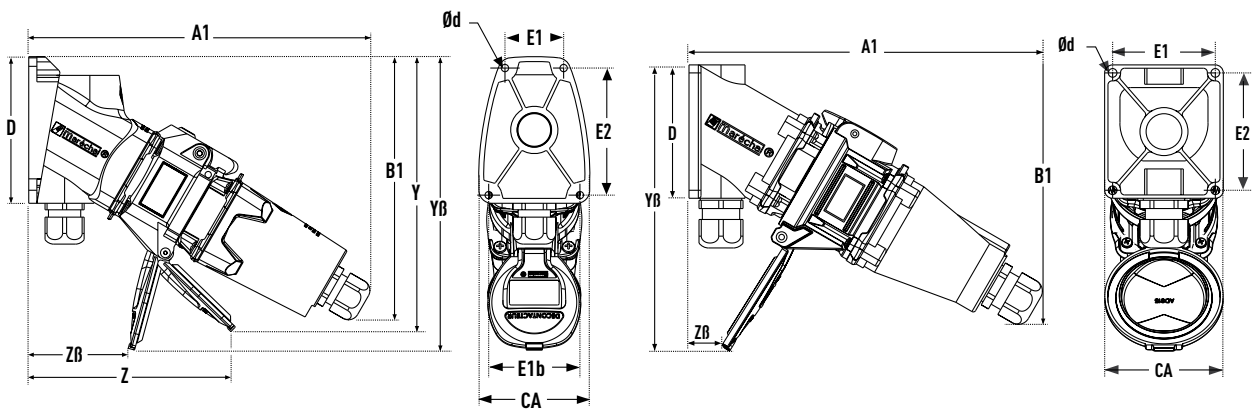


# DIMENSIONS

## DXN1/DXN3/DXN6



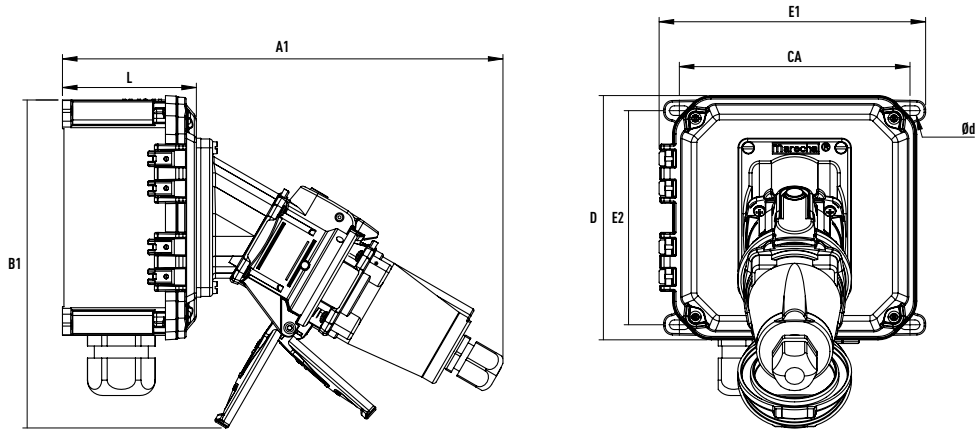
	A1	C	E	H	Y	YB	Z	ZB	Ød*	ØD max
<b>DXN1</b>	165	58	42	27	89	134	104	53	4,5	51
<b>DXN3</b>	190	77	48	29	-	171	-	39	5	57
<b>DXN6</b>	218	84	55	30	-	195	-	50	5	68



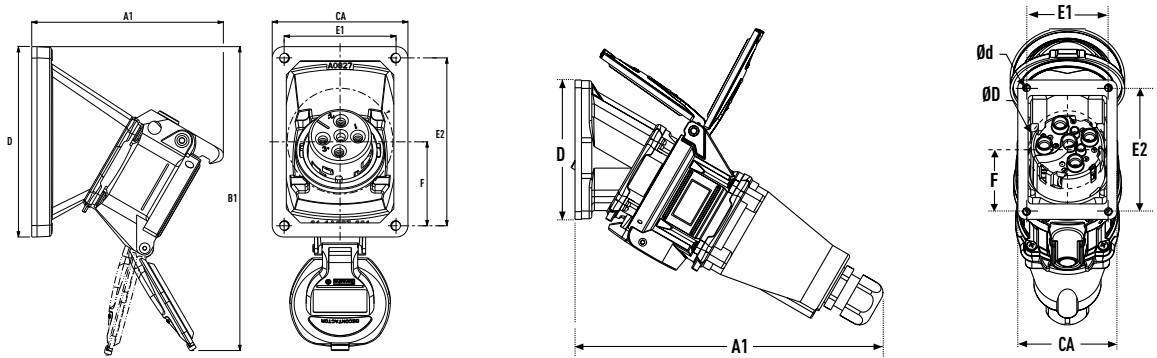
	A1	B1	CA	D	E1	E1b	E2	Y	YB	Z	ZB	Ød*
<b>DXN1</b>	209	162	68	90	36	56	78	166	180	127	61	4,5
<b>DXN3</b>	226	166	84	84	70	/	70	/	191	/	30	6
<b>DXN6</b>	265	195	89	100	77	/	88	/	225	/	41	6,5

\*Ød : maximum drilling diameter.

**DXN1/DXN3/DXN6**



	<b>A1</b>	<b>B1</b>	<b>CA</b>	<b>D</b>	<b>E1</b>	<b>E2</b>	<b>L</b>	<b>Ød*</b>
<b>DXN1</b>	282	185	117	126	141	105.5	91	6,5
<b>DXN3</b>	299	223	157	166	181	145.5	91	6,5
<b>DXN6</b>	327	229	157	166	181	145.5	91	6,5

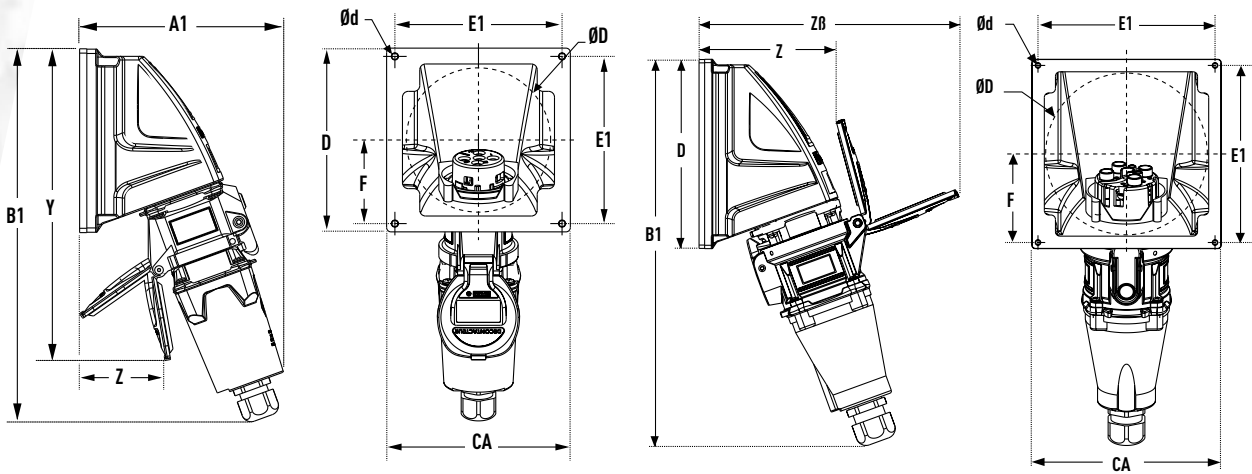


	<b>A1</b>	<b>B1</b>	<b>CA</b>	<b>D</b>	<b>E1</b>	<b>E2</b>	<b>F</b>	<b>Ød*</b>	<b>ØD max</b>
<b>DXN1</b>	109	172	77	108	63,5	95	48	5	60
<b>DXN3</b>	205	167	77	108	63	95	37	5,5	60
<b>DXN6</b>	239	190	77	108	64	95	40	5,5	60

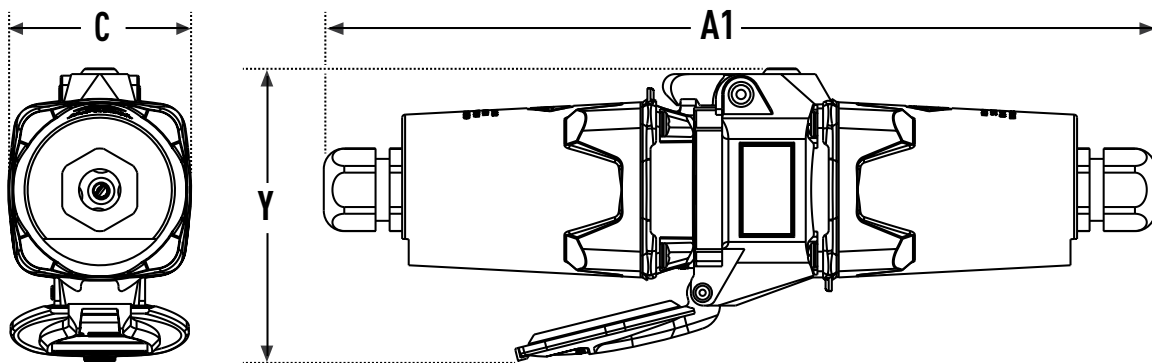
\*Ød : maximum drilling diameter.



DXN1/DXN3/DXN6

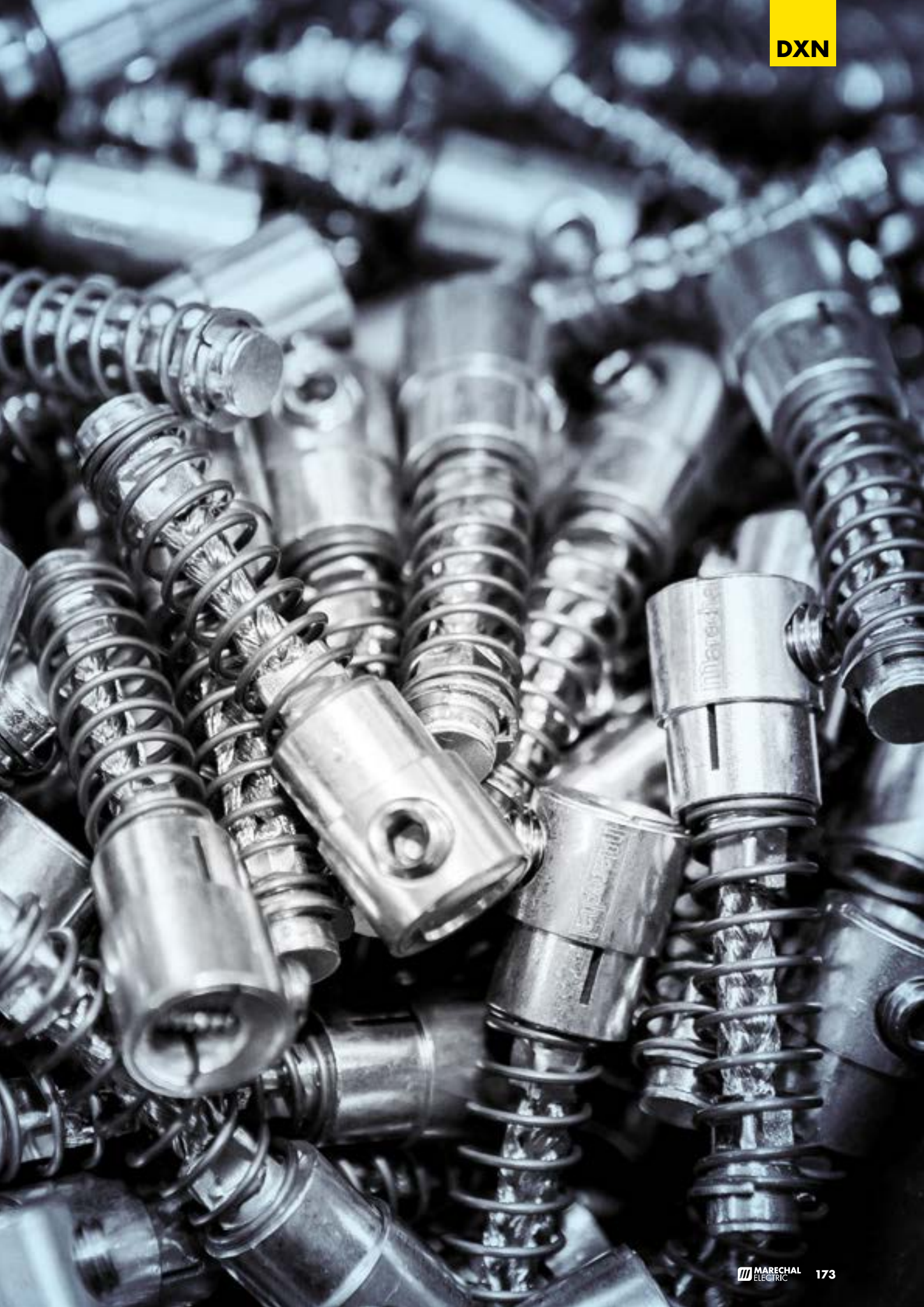


	A1	B1	CA	D	E1	F	Y	Z	Ød*	ØD max
<b>DXN1</b>	141	259	128	128	116	58	216	59	5	100
<b>DXN3</b>	141	278	128	128	116	58	242	8	5	100
<b>DXN6</b>	176	347	170	170	159	79,5	303	74	5	145



	A1	C	Y
<b>DXN1</b>	266	58	89
<b>DXN3</b>	304	71	118
<b>DXN6</b>	350	84	122

\*Ød : maximum drilling diameter.





# DXA1



## DECONTACTOR™ METAL



**20 A**

- ▶ II2 G D Ex de IIC, Ex tb IIC
- ▶ Automatic IP66/IP67 water-and dust-tight
- ▶ Integrated load-break switch
- ▶ Lockable in connected or disconnected position with optional lockout shaft
- ▶ Low temperature rating of -55°C

## MAIN FEATURES

Rated current (with wiring according to standard)	20 A	Ambient temperature	-55 °C to +60 °C
Maximum voltage	550 V	Flexible wiring (min-max)	1-4 mm <sup>2</sup>
IP protection lid closed	IP66/IP67	Stranded wiring (min-max)	1,5-6 mm <sup>2</sup>
IP protection plug connected	IP66/IP67	ATEX zones	1 & 2, 21 & 22
Shock resistance	IK10	Keying positions	24



### DXA DECONTACTOR™ complies with:

- The ATEX 2014/35/EU Directive,
- IEC/EN 60079-0, IEC/EN 60079-1, IEC/EN 60079-7 and IEC/EN 60079-31 international standards
- The essential safety requirements of IEC 60309-1 & IEC 60309-4 international and European standards (plugs and socket-outlets for industrial purposes),
- The switch utilization categories AC-22 and AC-23 described in IEC/EN 60947-3,
- The French NF C 15-100 standard,
- The European 'Machine Directive' 2006/42/CE regarding equipment isolation,
- The French decree dated 20 December 2011 pertaining to the wiring and operating conditions of movable electrical apparatuses,
- The decrees relating to workers' protection in Belgium, Spain and Italy,

**Also certified by LCIE (ATEX et IECEx) and cCSAus (French and American-Canadian\* European and international notified bodies).**

(\* for North-American markets)





**WALL MOUNTING  
SOCKET DXA1**



**PLUG DXA1**

### GLAND SUFFIX

PE Ex	Suffix
M25 (9-16 mm)	Ref. + 25M
M32 (12-21mm)	Ref. + 32M
Other	Consult us

**SOCKET-OUTLET  
female  
DXA1 (20 A)**



**PLUG male  
DXA1 (20 A)**



220-250 V AC	1P+N+E	2914015	2918015
380-440 V AC	3P+E	2914013	2918013
380-440 V AC	3P+N+E	2914017	2918017

**WALL mounting  
socket female  
DXA1 (20 A)**



**PLUG male  
DXA1 (20 A)**



220-250 V AC	1P+N+E	M20	8-13 mm	2914015 + 291A053	2918015 + 291A963
380-440 V AC	3P+E	M20	8-13 mm	2914013 + 291A053	2918013 + 291A963
380-440 V AC	3P+N+E	M20	8-13 mm	2914017 + 291A053	2918017 + 291A963

**INCLINED socket  
female  
DXA1 (20 A)**



**INCLINED appliance  
inlet male  
DXA1 (20 A)**



220-250 V AC	1P+N+E	2914015 + 291A027	2918015 + 291A027
380-440 V AC	3P+E	2914013 + 291A027	2918013 + 291A027
380-440 V AC	3P+N+E	2914017 + 291A027	2918017 + 291A027

**COUPLER socket  
female  
DXA1 (20 A)**




**WALL mounting  
appliance inlet male  
DXA1 (20 A)**



220-250 V AC	1P+N+E	M20	8-13 mm	2914015 + 291A963	2918015 + 291A053
380-440 V AC	3P+E	M20	8-13 mm	2914013 + 291A963	2918013 + 291A053
380-440 V AC	3P+N+E	M20	8-13 mm	2914017 + 291A963	2918017 + 291A053

### MARECHAL ELECTRIC FRANCE

 II 2 G D      Ex de IIC T\* Gb Ex tb IIIC T\* Db  
 -55 °C ≤ Ta ≤ +40 °C      T6      T68 °C  
 -55 °C ≤ Ta ≤ +60 °C      T5      T88 °C  
 LCIE 15 ATEX3033X/IECEx LCIE 15.0030X

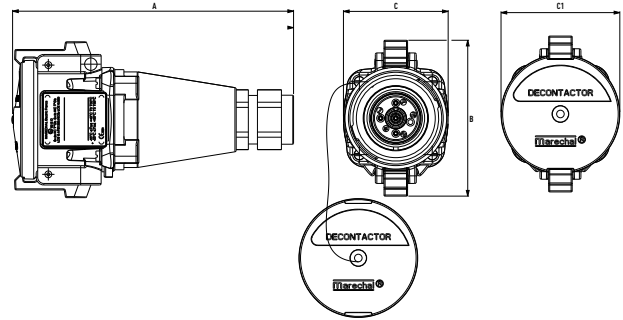
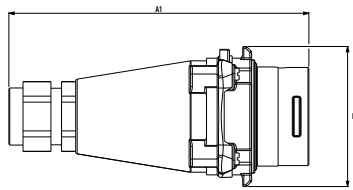
### ACCESSORIES AND OPTIONS

Inlet cap      291A426

Locking with shaft for 2 padlocks ø 8 mm  
(padlocks not supplied)      Ref. socle + 843

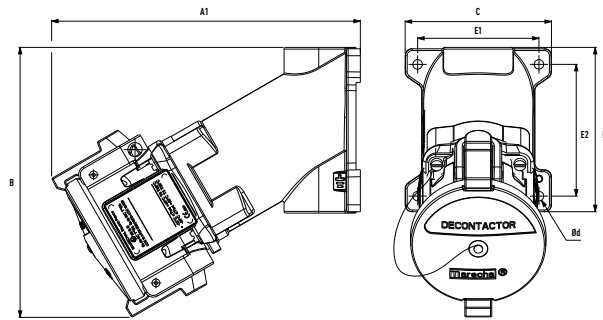


# DIMENSIONS

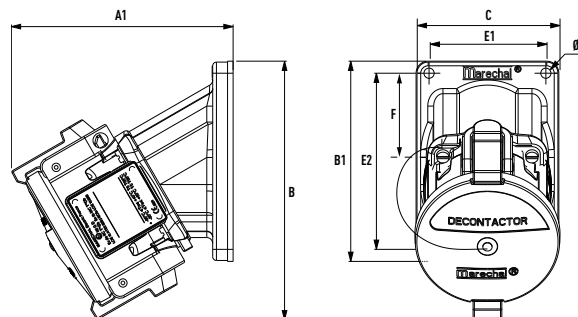


	<b>A1</b>	<b>B</b>
<b>DXA1</b>	170	79

	<b>A</b>	<b>B</b>	<b>C</b>	<b>C1</b>
<b>DXA1</b>	185	103	69	78



	<b>A1</b>	<b>B</b>	<b>B1</b>	<b>C</b>	<b>E1</b>	<b>E2</b>	<b>Ød*</b>
<b>DXA1</b>	178	156	95	84	70	76	5,5



	<b>A1</b>	<b>B</b>	<b>B1</b>	<b>C</b>	<b>E1</b>	<b>E2</b>	<b>F</b>	<b>Ød*</b>	<b>ØD max</b>
<b>DXA1</b>	120	140	108	77	63	95	37	5,5	60

\*Ød : maximum drilling diameter.

# DX



## DECONTACTOR™ METAL



**20 A/32 A/63 A/125 A/200 A**

- ▶ II 2 G D Ex de IIC, tD A21
- ▶ IP65 water-and dust-tight
- ▶ Integrated load-break switch
- ▶ Locking in connected or disconnected position by keying axis

## TECHNICAL FEATURES

	DX1	DX3	DX6	DX9	DX2
Rated current (In)	20 A	32 A	63 A	125 A	200 A
U <sub>max</sub>	750 V	750 V	750 V	750 V	750 V
Keying positions	12	12	12	12	12
Ambient temperature	<<< -25 °C ≤ Ta ≤ +60 °C >>>		<<< -40 °C ≤ Ta ≤ +60 °C >>>		
Protection mode	<<< «de» and «tD A21» >>>				
ATEX zones	<<< Zones 1 & 2 (gas) Zones 21 & 22 (dusts) >>>				

## MECHANICAL FEATURES

- Enclosure "d": during connection and disconnection, electric arc is contained and cannot reach the outside of the enclosure.



Interior moulding in the stand-by position: Cut view of the explosion-proof chamber.

### Connection:

Socket-outlet with a plug contact engaged: Closing of the dead butt-contact(s); unlocking of the interior moulding.



Plug rotation: Pressure on the springs. Switch contacts close immediately.

- Aluminium corrosion-free casing
- IK10 shock resistance
- External male contacts: these pins engage with the spring-loaded silver-nickel butt contacts inside the socket
- IP65 lid
- ON/OFF indicator
- Design ensures compliance with interlock standard EN 60309-4 : no live contacts.



### Disconnection:

Reversed rotation of the plug: The switch contacts open immediately. Return of the plug to its "off" stand-by position.



### DX DECONTACTOR™ complies with:

- The ATEX 2014/35/EU Directive,
- IEC/EN 60079-0, IEC/EN 60079-1, IEC/EN 60079-7 and IEC/EN 60079-31 international standards
- The essential safety requirements of IEC 60309-1 & IEC 60309-4 international and European standards (plugs and socket-outlets for industrial purposes),
- The French NF C 15-100 standard,
- The European 'Machine Directive' 2006/42/CE regarding equipment isolation,
- The French decree dated 20 December 2011 pertaining to the wiring and operating conditions of movable electrical apparatuses,
- The decrees relating to workers' protection in Belgium, Spain and Italy,

Also certified by NANIO (TR CU EAC) and LCIE (ATEX and IECEx, Russian and French European and international notified bodies).



### WALL MOUNTING SOCKET DX1



Wall box 90°  
262AB53



Socket-outlet  
2624017

### PLUG DX1



Plug  
2621017

## MAIN FEATURES

Rated current (with wiring according to standard)	20 A	Flexible wiring (min-max)	2,5-10 mm <sup>2</sup>
Maximum voltage	750 V	Stranded wiring (min-max)	2,5-10 mm <sup>2</sup>
IP protection lid closed	IP65	Other wiring	on request
IP protection plug connected	IP65	Keying positions	12
Shock resistance	IK10	Protection mode	de, tD A21
Ambient temperature	-25 °C to +60 °C	ATEX zones	1 & 2, 21 & 22

### SOCKET-OUTLET female DX1 (20 A)



### INCLINED appliance inlet DX1 (20 A)



### PLUG male DX1 (20 A)



Each socket outlet or inlet must be associated with a box, a sleeve or a handle.

Voltage	Contact configuration	Socket-outlet female DX1 (20 A)	Inclined appliance inlet DX1 (20 A)	Plug male DX1 (20 A)	Socket-outlet female DX1 (20 A)
220-250 V AC	1P+N+E	2624015	2626015	8-13 mm	2621015
380-440 V AC	3P+E	2624013	2626013	8-13 mm	2621013
380-440 V AC	3P+N+E	2624017	2626017	8-13 mm	2621017

► Other voltages, frequencies and contact configurations are available (see page 10).

### BOXES Ex metal CABLE GLAND INCLUDED\*



Cable gland entry	Wall box metal 90°	
M20	262AB53	8-13 mm
M25	262AB5325M	9-16 mm
M32	262AB5332M	12-21 mm

\* For alternatives with Earth continuity, please contact us

### HANDLES Ex metal CABLE GLAND INCLUDED



Cable gland entry	Straight handle metal	
M20	262A963	8-13 mm
M25	262A95325M	9-16 mm
M32	262A95332M	12-21 mm

#### MARECHAL ELECTRIC FRANCE

<b>Ex</b> II 2 G D	Ex de IIC	tD A21
-25 °C ≤ Ta ≤ +60 °C	T5	T84 °C
-25 °C ≤ Ta ≤ +50 °C	T6	T74 °C
IECEx LC1 09.0014/LCIE 05 ATEX 6127		


**WALL MOUNTING  
SOCKET DX3**

**Wall box 90°**  
263AB53

**Socket-outlet**  
2634017

**PLUG DX3**

**Plug**  
2631017

**MAIN FEATURES**

Rated current (with wiring according to standard)	32 A	Flexible wiring (min-max)	2,5-10 mm <sup>2</sup>
Maximum voltage	750 V	Stranded wiring (min-max)	2,5-10 mm <sup>2</sup>
IP protection lid closed	IP65	Other wiring	on request
IP protection plug connected	IP65	Keying positions	12
Shock resistance	IK10	Protection mode	de, tD A21
Ambient temperature	-25 °C to +60 °C	ATEX zones	1 & 2, 21 & 22

**SOCKET-OUTLET  
female  
DX3 (32 A)**

**INCLINED  
appliance inlet  
DX3 (32 A)**

**PLUG  
male  
DX3 (32 A)**


Each socket outlet or inlet must be associated with a box, a sleeve or a handle.

220-250 V AC	1P+N+E	2634015	2636015	9-16 mm	2631015
380-440 V AC	3P+E	2634013	2636013	9-16 mm	2631013
380-440 V AC	3P+N+E	2634017	2636017	9-16 mm	2631017

► Other voltages, frequencies and contact configurations are available (see page 10).

**BOXES**

Ex metal cable gland included\*



Cable gland entry	Wall box metal 90°	
M20	263AB5320M	8-13 mm
M25	263AB53	9-16 mm
M32	263AB5332M	12-21 mm

\* For alternatives with Earth continuity, please contact us

**HANDLES**

Ex metal cable gland included



Cable gland entry	Straight handle metal	
M20	263A95320M	8-13 mm
M25	263A963	9-16 mm
M32	263A95332M	12-21 mm

**MARECHAL ELECTRIC FRANCE**

	Ex de IIC	tD A21
-25 °C ≤ Ta ≤ +60 °C	T5	T84 °C
-25 °C ≤ Ta ≤ +50 °C	T6	T74 °C
IECEX LCI 09.0014/LCIE 05 ATEX 6127		





### WALL MOUNTING SOCKET DX6



Wall box 90°  
266AB53



Socket-outlet  
2664017

### PLUG DX6



Plug  
2661017

## MAIN FEATURES

Rated current (with wiring according to standard)	63 A	Flexible wiring (min-max)	16-35 mm <sup>2</sup>
Maximum voltage	750 V	Stranded wiring (min-max)	16-50 mm <sup>2</sup>
IP protection lid closed	IP65	Other wiring	on request
IP protection plug connected	IP65/IP66	Keying positions	12
Shock resistance	IK10	Protection mode	de, tD A21
Ambient temperature	-40 °C to +60 °C	ATEX zones	1 & 2, 21 & 22

### SOCKET-OUTLET female DX6 (63 A)



### INCLINED appliance inlet DX6 (63 A)



### PLUG male DX6 (63 A)



Each socket outlet or inlet must be associated with a box, a sleeve or a handle.

Voltage	Contact configuration	Socket-outlet female	Inclined appliance inlet	Plug male
220-250 V AC	1P+N+E	2664015	2666015	2661015
380-440 V AC	3P+E	2664013	2666013	2661013
380-440 V AC	3P+N+E	2664017	2666017	2661017

► Other voltages, frequencies and contact configurations are available (see page 10).

## BOXES

Ex metal cable gland included\*



Cable gland entry	Wall box metal 90°
M25	266AB5325M 9-16 mm
M32	266AB53 12-21 mm
M40	266AB5340M 16-27 mm

\* For alternatives with Earth continuity, please contact us

## HANDLES

Ex metal cable gland included



Cable gland entry	Straight handle metal
M25	266A95325M 9-16 mm
M32	266A963 12-21 mm
M40	266A95340M 16-27 mm

### MARECHAL ELECTRIC FRANCE

II 2 G D	Ex de IIC	tD A21
-40 °C ≤ Ta ≤ +60 °C	T5	T90 °C
-40 °C ≤ Ta ≤ +50 °C	T6	T80 °C
IECEx LCI 09.0015/LCIE 04 ATEX 6038		



### WALL MOUNTING SOCKET DX9



Wall box 90°  
269AB53



Socket-outlet  
2694017

### PLUG DX9



Plug  
2691017

## MAIN FEATURES

Rated current (with wiring according to standard)	125 A	Flexible wiring (min-max)	35-50 mm <sup>2</sup>
Maximum voltage	750 V	Stranded wiring (min-max)	50-70 mm <sup>2</sup>
IP protection lid closed	IP65	Other wiring	on request
IP protection plug connected	IP65/IP66	Keying positions	12
Shock resistance	IK10	Protection mode	de, tD A21
Ambient temperature	-40 °C to +60 °C	ATEX zones	1 & 2, 21 & 22

### SOCKET-OUTLET female DX9 (125 A)



### INCLINED appliance inlet DX9 (125 A)



### PLUG male DX9 (125 A)



Each socket outlet or inlet must be associated with a box, a sleeve or a handle.

Voltage	Configuration	Socket-outlet female DX9 (125 A)	Inclined appliance inlet DX9 (125 A)	Plug male DX9 (125 A)
380-440 V AC	3P+E	2694013	2696013	16-27 mm 2691013
				23-35 mm 269101350M
				36-48 mm 269101363M
380-440 V AC	3P+N+E	2694017	2696017	16-27 mm 2691017
				23-35 mm 269101750M
				36-48 mm 269101763M

► Other voltages, frequencies and contact configurations are available (see page 10).

### BOXES

Ex metal cable gland included\*



Cable gland entry	Wall box metal 90°
M32	269AB5332M 12-21 mm
M40	269AB53 16-27 mm
M50	269AB5350M 23-35 mm
M63	269AB5363M 36-48 mm

\* For alternatives with Earth continuity, please contact us

### HANDLES

Ex metal cable gland included



Cable gland entry	Straight handle metal
M32	269A95332M 12-21 mm
M40	269A963 16-27 mm
M50	269A95350M 23-35 mm
M63	269A95363M 36-48 mm

### MARECHAL ELECTRIC FRANCE

<b>Ex</b> II 2 G D	Ex de IIC	tD A21
-40 °C ≤ Ta ≤ +60 °C	T5	T90 °C
-40 °C ≤ Ta ≤ +50 °C	T6	T80 °C
IECEX LCI 09.0015/LCIE 04 ATEX 6038		



### WALL MOUNTING SOCKET DX2



Wall box 90°  
267AB53

Socket-outlet  
2674017

### PLUG DX2



Plug  
2671017

## MAIN FEATURES

Rated current (with wiring according to standard)	200 A	Flexible wiring	50 mm <sup>2</sup>
Maximum voltage	750 V	Stranded wiring	70 mm <sup>2</sup>
IP protection lid closed	IP65	Other wiring	on request
IP protection plug connected	IP65/IP66	Keying positions	12
Shock resistance	IK10	Protection mode	de, tD A21
Ambient temperature	-40 °C to +60 °C	ATEX zones	1 & 2, 21 & 22

### SOCKET-OUTLET female DX2 (200 A)



### INCLINED appliance inlet DX2 (200 A)



### PLUG male DX2 (200 A)



Each socket outlet or inlet must be associated with a box, a sleeve or a handle.

380-440 V AC	3P+E	2674013	2676013	36-48 mm	2671013
380-440 V AC	3P+N+E	2674017	2676017	36-48 mm	2671017

► Other voltages, frequencies and contact configurations are available (see page 10).

### BOXES

Ex metal cable gland included\*



<b>Cable gland entry</b>	<b>Wall box metal 90°</b>
M63	267AB53 36-48 mm

\* For alternatives with Earth continuity, please contact us


### HANDLES

Ex metal cable gland included



<b>Cable gland entry</b>	<b>Straight handle metal</b>
M63	267A963 36-48 mm

### MARECHAL ELECTRIC FRANCE

 II 2 G D Ex de IIC tD A21  
-40 °C ≤ Ta ≤ +60 °C T3 T91 °C  
IECEX LCI 09.0015/LCIE 04 ATEX 6038

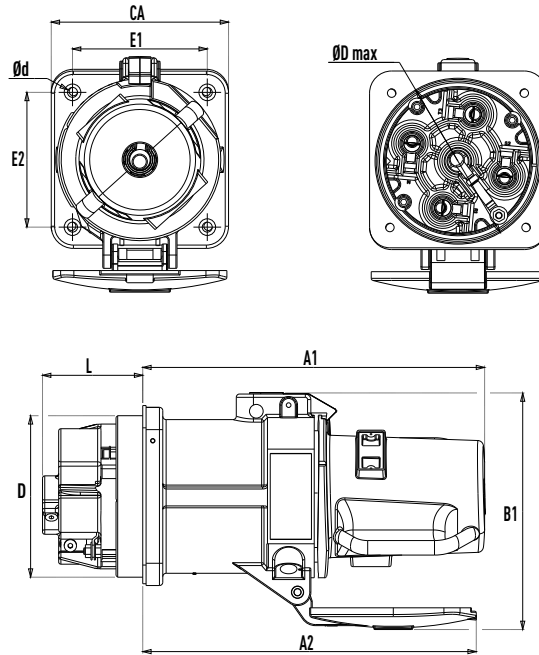




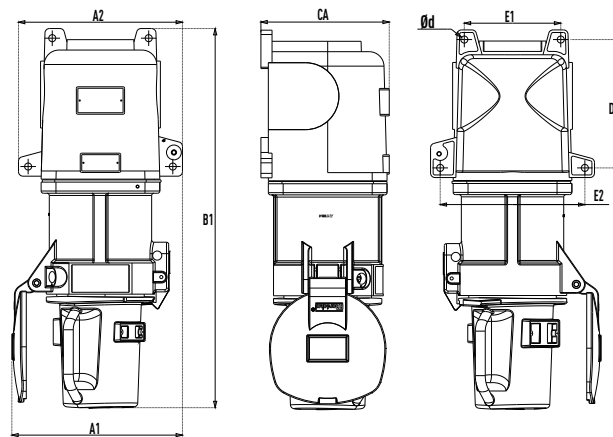


# DIMENSIONS

DX1/DX3/DX6/DX9/DX2



	A1	A2	B1	CA	D	E1	E2	L	Ød*	ØD max
DX1/DX3	173	181	154	116	116	92	92	59	5,7	108
DX6/DX9/DX2	307	300	212	160	145	122	122	90	9	150

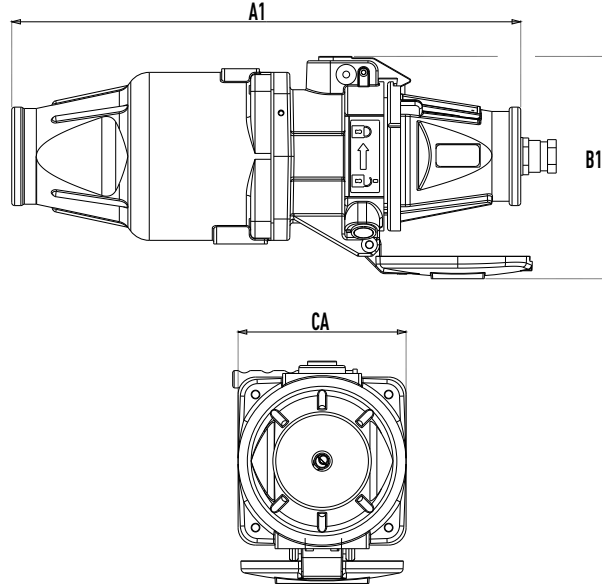


	A1	A2	B1	CA	D	E1	E2	Ød*
DX1/DX3	168	167	324	129	118	90	145	9,5
DX6/DX9/DX2	230	221	511	173	173	130	195	9,5

\*Ød : maximum drilling diameter.

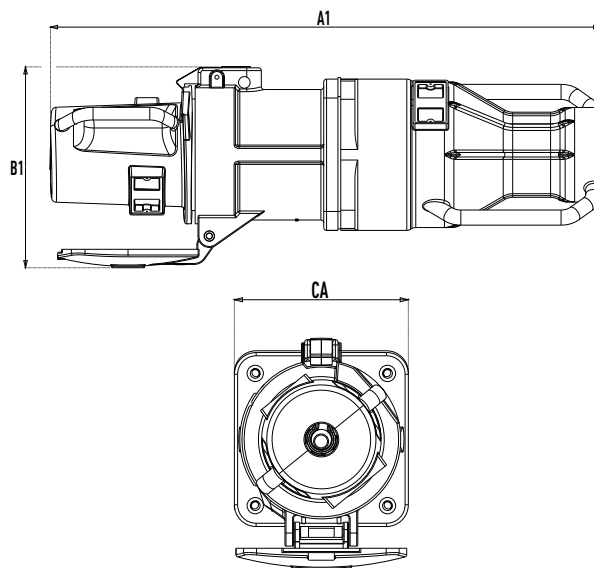


**DX1/DX3**



	<b>A1</b>	<b>B1</b>	<b>CA</b>
<b>DX1/DX3</b>	351,5	153,5	116

**DX6/DX9/DX2**



	<b>A1</b>	<b>B1</b>	<b>CA</b>
<b>DX6/DX9/DX2</b>	582	212	160

\*Ød : maximum drilling diameter.

# MULTICONTACT CONNECTORS



FIND ALL INFORMATION  
ON OUR WEBSITE:



[marechal.com](https://marechal.com)




Dimensions  
and certificates



**PXM12C P. 190**


#### MULTICONTACT CONNECTORS

-  II2 G D Ex e IIC, Ex tb IIIC
- Up to 12 contacts
- Locking in connected or disconnected position
- Corrosion-free metal casing



**DXN25C P. 191**


#### MULTICONTACT CONNECTORS

-  II2 G D Ex e IIC, Ex tb IIIC
- Up to 25 contacts
- Locking in connected or disconnected position
- Corrosion-free metal casing



**DXN37C P. 192**

#### MULTICONTACT CONNECTORS

-  II2 G D Ex e IIC, Ex tb IIIC
- Up to 37 contacts
- Locking in connected or disconnected position
- Corrosion-free metal casing



#### **PXM12C, DXN25C and DXN37C multicontact connectors comply with:**

- The ATEX 2014/35/EU Directive,
- IEC/EN 60079-0, IEC/EN 60079-7 and IEC/EN 60079-31 International standards
- The French NF C 15-100 standard,
- The decrees relating to workers' protection in Belgium, Spain and Italy,

**Also certified by LCIE (ATEX and IECEx) and NANIO (TR CU EAC) (French and Russian European and international notified bodies).**

# PXN12C

MULTI-CONTACT CONNECTORS METAL

10 A IP65/IP66



**WALL MOUNTING  
SOCKET PXN12C**



Wall box 30°  
06A0001



**PLUG PXN12C**



Plug  
06A1001

## MAIN FEATURES

Rated current (with wiring according to standard)	4-20 mA/10 A	Ambient temperature	-40 °C to +55 °C
Maximum voltage	220 V	Flexible wiring (min-max)	1-2,5 mm <sup>2</sup>
Number of contacts	11C+E	Wiring (terminals)	crimping
IP protection lid closed	IP65/IP66	Protection mode	e or i, tb
IP protection plug connected	IP65/IP66	ATEX zones	1 & 2, 21 & 22
Shock resistance	IK09	Keying positions	2

Connection or disconnection  
screw locking imprint BTR 2.5.

**WALL** mounting socket  
female  
PXN12c (10 A)



**PLUG** male  
PXN12c (10 A)



M25	06A000125M	9-16 mm	M25	06A100125M	9-16 mm
M32	06A0001	12-21 mm	M32	06A1001	12-21 mm

**INCLINED** socket  
female  
PXN12c (10 A)



**INCLINED**  
appliance inlet male  
PXN12c (10 A)



06A7001

06A9001

**COUPLER** socket  
female  
PXN12c (10 A)



**WALL** mounting  
appliance inlet male  
PXN12c (10 A)



M25	06A300125M	9-16 mm	M25	06A600125M	9-16 mm
M32	06A3001	12-21 mm	M32	06A6001	12-21 mm

MARECHAL ELECTRIC FRANCE

II 2 G D Ex e IIC Gb Ex tb IIIC Db  
-40 °C ≤ Ta ≤ +55 °C T5 T69 °C

Ex ia or ib IIC T6 Gb

IECEX LCIE 14.0041X/LCIE 07 ATEX 6070X

**INFOS +**

Each product is supplied with 1 bag of 13 contacts depending on the maximum configuration. This allows you to set up the product to suit your needs.

# DXN25C

MULTI-CONTACT CONNECTORS METAL

10 A IP66/IP67



**WALL MOUNTING SOCKET DXN25C**



Wall mounting socket  
36D0002

**PLUG DXN25C**



Plug  
36D1002

## MAIN FEATURES

Rated current (with wiring according to standard)	4-20 mA/10 A	Ambient temperature	-40 °C to +55 °C
Maximum voltage	440 V	Flexible wiring (min-max)	1-2,5 mm <sup>2</sup>
Number of contacts	24C+E	Wiring (terminals)	crimping
IP protection lid closed	IP66/IP67	Protection mode	e or i, tb
IP protection plug connected	IP66/IP67	ATEX zones	1 & 2, 21 & 22
Shock resistance	IK09	Keying positions	3

Locking position connected or disconnected by lockable shaft.

Other accessories on request.

**WALL** mounting socket female  
**DXN25c (10 A)**



**PLUG** male  
**DXN25c (10 A)**



M32	36D000232M	12-21 mm	M32	36D100232M	12-21 mm
M40	36D0002	16-27 mm	M40	36D1002	16-27 mm

**INCLINED** socket female  
**DXN25c (10 A)**



**INCLINED** appliance inlet male  
**DXN25c (10 A)**



36D7002

36D9002

**COUPLER** socket female  
**DXN25c (10 A)**



**WALL** mounting appliance inlet male  
**DXN25c (10 A)**



M32	36D300232M	12-21 mm	M32	36D600232M	12-21 mm
M40	36D3002	16-27 mm	M40	36D6002	16-27 mm

### MARECHAL ELECTRIC FRANCE

II 2 G D Ex e IIC Gb Ex tb IIIC Db  
 -40 °C ≤ Ta ≤ +40 °C T6 T51 °C  
 -40 °C ≤ Ta ≤ +60 °C T5 T71 °C  
 Ex ia or ib IIC T6 Gb  
 IECEx LCIE 14.0040X/LCIE 09 ATEX 3050X

### INFOS +

Each product is supplied with 2 bags of 13 contacts depending on the maximum configuration. This allows you to set up the product to suit your needs. Delivered with padlocking shaft.



# DXN37C



MULTI-CONTACT CONNECTORS METAL

10 A IP66/IP67



**WALL MOUNTING  
SOCKET DXN37C**



Wall mounting  
socket  
36C0003



**PLUG DXN37C**



Plug  
36C1003

## MAIN FEATURES

Rated current (with wiring according to standard)	10 A	Ambient temperature	-40 °C to +55 °C
Maximum voltage	230 V	Flexible wiring (min-max)	1-2,5 mm <sup>2</sup>
Number of contacts	36C+E	Wiring (terminals)	crimping
IP protection lid closed	IP66/IP67	Protection mode	e or i, tb
IP protection plug connected	IP66/IP67	ATEX zones	1 & 2, 21 & 22
Shock resistance	IK09	Keying positions	3

Locking position connected or disconnected by lockable shaft.

Other accessories on request.

**WALL** mounting socket  
female  
**DXN37c (10 A)**



**PLUG** male  
**DXN37c (10 A)**



M32	36C000332M	12-21 mm	M32	36C100332M	12-21 mm
M40	36C0003	16-27 mm	M40	36C1003	16-27 mm

**INCLINED** socket  
female  
**DXN37c (10 A)**



**INCLINED**  
appliance inlet male  
**DXN37c (10 A)**



36C7003

36C9003

**COUPLER** socket  
female  
**DXN37c (10 A)**



**WALL** mounting  
appliance inlet male  
**DXN37c (10 A)**



M32	36C300332M	12-21 mm	M32	36C600332M	12-21 mm
M40	36C3003	16-27 mm	M40	36C6003	16-27 mm

MARECHAL ELECTRIC FRANCE



II 2 G D Ex e IIC Gb Ex tb IIIC Db  
-40 °C ≤ Ta ≤ +40 °C T6 T56 °C  
-40 °C ≤ Ta ≤ +55 °C T5 T76 °C

Ex ia or ib IIC T6 Gb

IECEx LCIE 14.0038X/LCIE 07 ATEX 6071X

## INFOS +

Each product is supplied with 3 bags of 13 contacts depending on the maximum configuration. This allows you to set up the product to suit your needs. Delivered with padlocking shaft.





# OPTIONS

## SIMPLE ASSEMBLY AND DISASSEMBLY



### Assembly








To insert contacts when they have been wired is simple. Push wired contact into rear of insulator until it stops to complete the installation.

### Disassembly

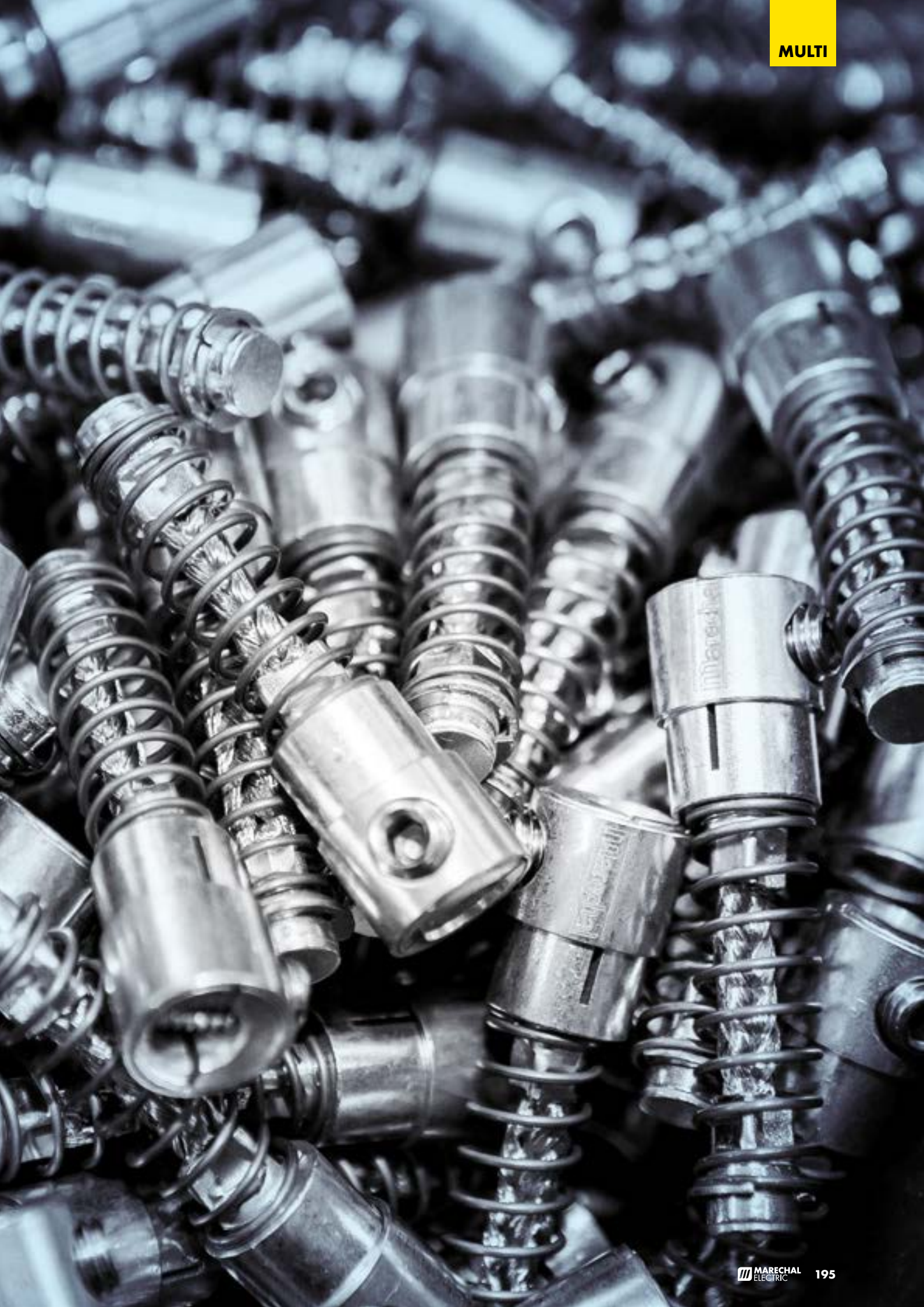
To remove, use the tool provided. Push tool from front onto contact until tool stops. Contact is then released at rear of insulator.

### Fast wiring

- Cable conductors: 1 mm<sup>2</sup> to 2,5 mm<sup>2</sup>.
- Before wiring, equip each conductor with a heat-shrink sleeve or an insulating sleeve.
- After wiring, cover the visible portion of the contact with the sleeve.
- Crimp the contact with a KNIPEX crimping tool P/N° 61CA500 or a GREENLEE crimping tool P/N° 45505.
- Use the 4 mm<sup>2</sup> footprint whatever the conductor cross-section.
- Perform a double crimping in compliance with CEI 60352-2 standard.
- Conductors can equally be soldered.

	PXN12C	DXN25C	DXN37C
<b>BAG OF 13 FEMALE CONTACTS</b>			
	Ref. 01AA213	Ref. 01AA213	Ref. 01AA213
<b>BAG OF 13 MALE CONTACTS</b>			
	Ref. 61CA113	Ref. 61CA113	Ref. 61CA113
<b>REMOVAL KEY</b>			
	Ref. 61CA593	Ref. 61CA593	Ref. 61CA593
<b>CRIMPING TOOL</b>			
	Ref. 61CA500	Ref. 61CA500	Ref. 61CA500
<b>HELAVIA SLEEVE EXPANSION TOOL</b>			
	Ref. 61CA400	Ref. 61CA400	Ref. 61CA400
<b>BAG OF 13 HEAT SHRINK INSULATION SLEEVES</b>			
	Ref. 61CA083	Ref. 61CA083	Ref. 61CA083
<b>INLET CAP</b>			
	Ref. 012A126		
 IP66/67		Ref. 313A426	Ref. 313A426



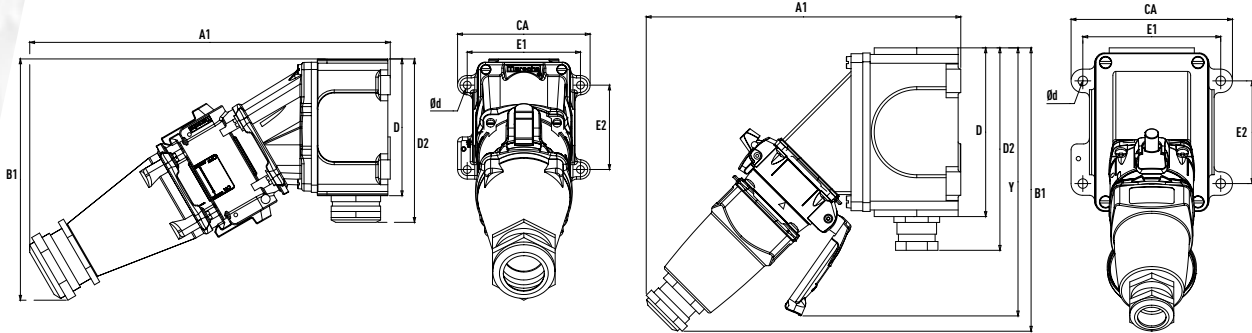




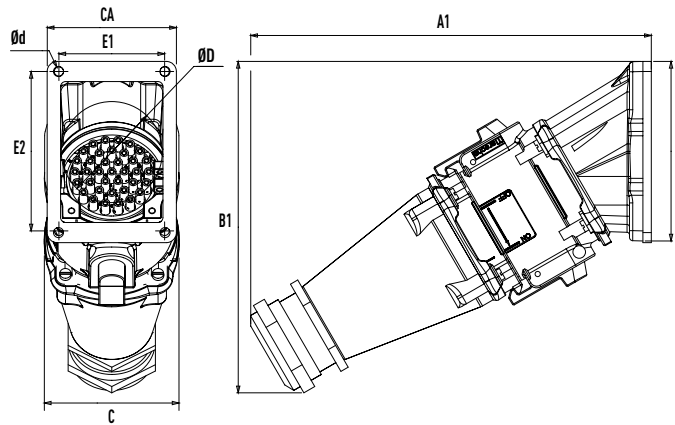
# DIMENSIONS

DXN25c/DXN37c

PXN12c



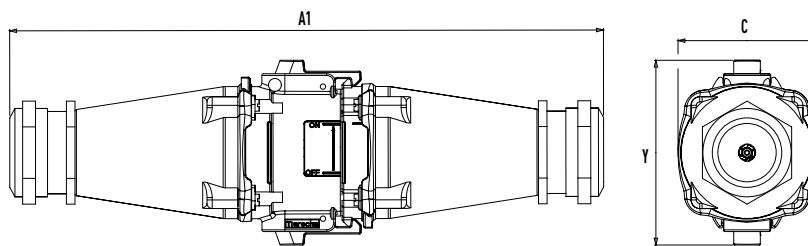
	A1	B1	D	D2	CA	E1	E2	Ød*
DXN25c/DXN37c	299	200	114	136	110	94	70	6,5
PXN12c	213	193	114	142	110	94	70	6,5



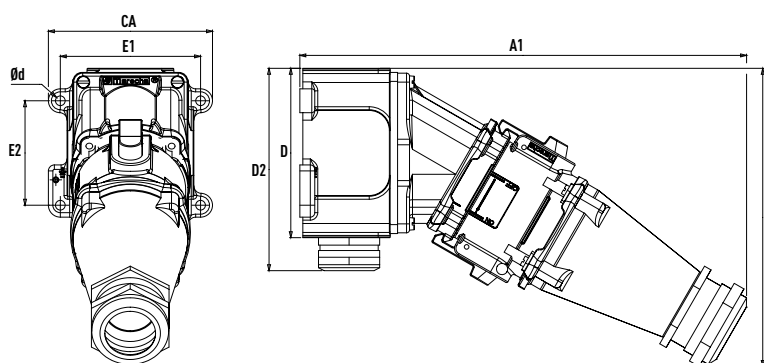
	A1	B1	CA	D	E1	E2	Ød*	ØD max
DXN25c/DXN37c	239	197	77	107	63	95	5,5	60
PXN12c	153	189	77	107	63	95	6	60

\*Ød : maximum drilling diameter.

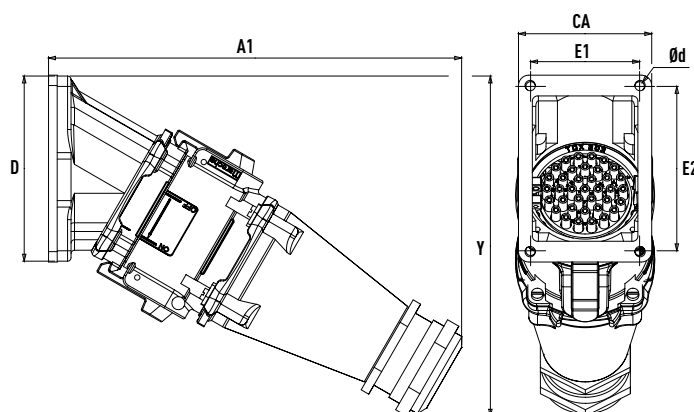




	A1	C	Y
<b>DXN25c/DXN37c</b>	346	80	108
<b>PXN12c</b>	246	58	87



	A1	CA	D	D2	E1	E2	Y	Ød*
<b>DXN25c/DXN37c</b>	299	110	114	136	94	70	200	6,5
<b>PXN12c</b>	213	110	114	142	94	70	193	6,5



	A1	CA	D	E1	E2	Y	Ød*	ØD max
<b>DXN25c/DXN37c</b>	239	77	107	63	95	197	5,5	60
<b>PXN12c</b>	153	77	107	63	95	189	6	60

\*Ød : maximum drilling diameter.

# PNCX



## COMPACT CONNECTOR



**5 A**

- ▶ II 2 G D Ex e IIC, Ex tb IIIC
- ▶ Can be used in zones 1 and 2 (gas), 21 and 22 (dust)
- ▶ Compact and easy to use
- ▶ Standard IP66/IP67
- ▶ Long life, 2 000 operations

**ELECTRICAL FEATURES**

Maximum voltage	250 V
Impulse withstand voltage	5 kV/Pollution degree 3
Contact resistance	< 2 mΩ
Permitted current range	4-20 mA/5 A
Polarity	3P+N+E
Conductors accepted	From 0,75 mm <sup>2</sup> to 2,5 mm <sup>2</sup> Screwed terminals
Cable diameter	From 10 to 14 mm (smaller Ø available according to specification)

**MECHANICAL FEATURES**






Casing & insulator	Glassfiber reinforced thermoplastic UL94 V-0
Butt contacts	Copper alloy with silver-nickel tips
Contact protection	Tinning
Load cycles	> 2000 cycles
Shock resistance	IK08
Vibration	Frequency 5-1 000 Hz, 1 g (90 minutes on each critical frequency) according to IEC 60068-2-6

**CLIMATIC FEATURES**

Ambient temperature	-20 °C to +70 °C
IP protection Socket with cap	IP66/IP67 IP69K 100bar (1450 PSI) 80 °C
IP protection plug connected	IP66/IP67 IP69K 100bar (1450 PSI) 80 °C
Salt, Fog performance	200 h minimum not connected > 1000 h connected
Resistance to fluids	Motor oils, petrol, oils, detergents...

**MARQUAGE ATEX**

ATEX zones	Gas zones 1 and 2, Dust zones 21 and 22
ATEX markings	Ⓔ II 2 G D Ex e IIC T6 Gb Ex tb IIIC T7 °C Db
Certificates	LCIE 16 ATEX 3001 X IECEx LCIE 16.0001 X

		<b>SOCKET-OUTLET</b> female (with lock nut) <b>PNCX (5 A)</b>		<b>INLET</b> male (with lock nut) <b>PNCX (5 A)</b>	
250 V	5P	06E4007		06E8007	
		<b>COUPLER SOCKET</b> female <b>PNCX (5 A)</b>		<b>PLUG</b> male <b>PNCX (5 A)</b>	
250 V	5P	06E3007		06E1007	
				<b>ADAPTER PLATE FOR DNX1 ACCESSORIES (SEE PAGES 168-169)</b>	
					251A457-E

PLUG



**PNCX connectors complies with:**

- The ATEX 2014/34/UE Directive,
- The requirements of IEC 61984, IEC 60529, IEC 62262, EN/IEC 60079-0, EN/IEC 60079-7 and EN/IEC 60079-31 International standards,
- The European Low Voltage Directive 2014/35/UE.
- The French NF C 15-100 standard,
- The French decree dated 20 December 2011 pertaining to the wiring and operating conditions of movable electrical apparatuses,

# SPeX



## SINGLE POLE POWER CONNECTOR



**680 A**

- ▶ II2 G D Ex e IIC, Ex tb IIIC
- ▶ Ambient temperature -20 °C to +60 °C
- ▶ IP65/IP66 Water-and dust-tight
- ▶ Electromechanical interlocking system
- ▶ Mechanic and visual keying

**THE HIGHEST POSSIBLE SAFETY**

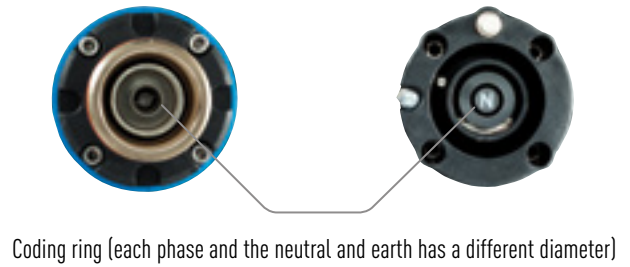
- Reliable mechanical and electrical interlocking,
- IP2X socket-outlet when cap removed,
- Automatic IP65/IP66 when plug is connected.

**AN SIMPLE-TO-USE CONNECTOR**

- Straight insertion of the plug into the socket-outlet,
- Different mechanical keying for L1, L2, L3, N and E, positive and negative (DC)
- Visual identification by standard colours.



**Mechanical coding between phases**



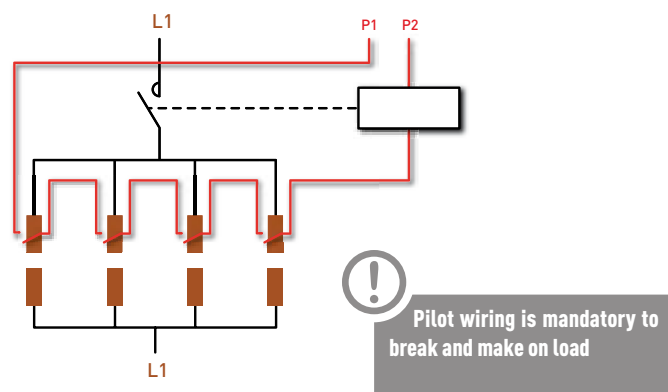
**SPeX ATEX CLASSIFICATION ACCORDING TO CABLE CROSS-SECTION AND TA (AMBIENT TEMPERATURE)**

	-20 °C ≤ Ta ≤ +40 °C G D T5/T56 °C	-20 °C ≤ Ta ≤ +40 °C G D T6/T56 °C	-20 °C ≤ Ta ≤ +60 °C G D T5/T76 °C
70 mm <sup>2</sup>	290 A	235 A	235 A
95 mm <sup>2</sup>	415 A	335 A	335 A
120 mm <sup>2</sup>	456 A	376 A	376 A
150 mm <sup>2</sup>	493 A	415 A	415 A
185 mm <sup>2</sup>	530 A	450 A	450 A
240 mm <sup>2</sup>	570 A	497 A	497 A
300 mm <sup>2</sup>	620 A	540 A	540 A
400 mm <sup>2</sup>	680 A	600 A	600 A

**PERFORMANCES**

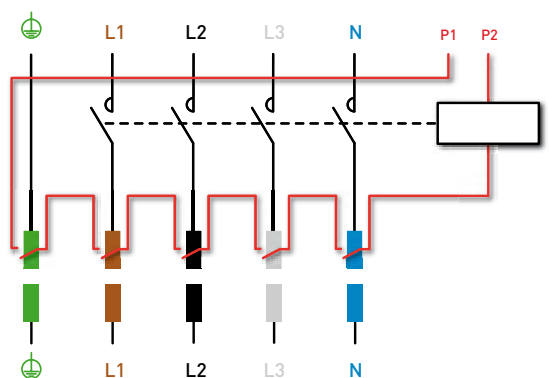
- With 240 mm<sup>2</sup> wiring, the SPeX accepts a permanent current up to 570 A/1000 V AC with T5 ATEX classification at 40 °C ambient temperature.

**Interlocking electrical wiring diagram:  
increased power with parallel connection.**



**Energy distribution system with separate connection of contacts**

The pilot contact breaks the circuit in conformity with ATEX Directive (increased safety "e"). **The breaking system is not supplied.**





# SPeX SINGLE POLE POWER CONNECTOR



**INCLINED  
SOCKET SPeX**

Panel mounting  
socket  
464700N

**PLUG SPeX**

Plug  
464100N50P

## MAIN FEATURES

<b>Rated current</b>	according to temperature class and section of cable	<b>Ambient temperature</b>	see table
<b>Maximum voltage AC</b>	1 000 V	<b>Wiring (min - max)</b>	see table
<b>Maximum voltage DC</b>	1 500 V	<b>Keying position</b>	5, mechanical and visual
<b>Short-circuit current I<sub>cc</sub></b>	20 kA during 250 ms	<b>Protection mode</b>	e, tb
<b>IP protection - lid closed</b>	IP65/IP66	<b>ATEX zones</b>	1 & 2, 21 & 22
<b>IP protection - connected plug</b>	IP65/IP66	<b>Number of operations</b>	2000
<b>Shock resistance</b>	IK08	<b>Pre-wired pilot circuit</b>	6 A/250 V

**SOCKET-OUTLET female  
SPeX (680 A)  
WITHOUT LUG**



**INLET male  
SPeX (680 A)  
WITHOUT LUG**



Type	Europe*	Reference	Reference 16-25 mm	Reference 22-32 mm	Reference 28-38 mm	Reference 40-48 mm
L1	Brown	4647001	464100132P	464100140P	464100150P	464100163P
L2	Black	4647002	464100232P	464100240P	464100250P	464100263P
L3	Grey	4647003	464100332P	464100340P	464100350P	464100363P
Neutral	Blue	464700N	464100N32P	464100N40P	464100N50P	464100N63P
Earth	Green	464700T	464100T32P	464100T40P	464100T50P	464100T63P
Positive	Red	464700P	464100P32P	464100P40P	464100P50P	464100P63P
Negative	Black	464700M	464100M32P	464100M40P	464100M50P	464100M63P

\* The indicated references are valid for Europe and Japan. For other countries: replace the prefix 46 by: 42 for the USA/43 for Australia and New Zealand/44 for UK and South Africa

Type	Australia and New Zealand	Reference	Reference 16-25 mm	Reference 22-32 mm	Reference 28-38 mm	Reference 40-48 mm
L1	Red	4347001	434100132P	434100140P	434100150P	434100163P
L2	White	4347002	434100232P	434100240P	434100250P	434100263P
L3	Blue	4347003	434100332P	434100340P	434100350P	434100363P
Neutral	Black	434700N	434100N32P	434100N40P	434100N50P	434100N63P
Earth	Green	434700T	434100T32P	434100T40P	434100T50P	434100T63P
Positive	Red	434700P	434100P32P	434100P40P	434100P50P	434100P63P
Negative	Black	434700M	434100M32P	434100M40P	434100M50P	434100M63P

**MARECHAL ELECTRIC  
FRANCE**





Ex e IIC Gb  
Ex tb IIIC Db

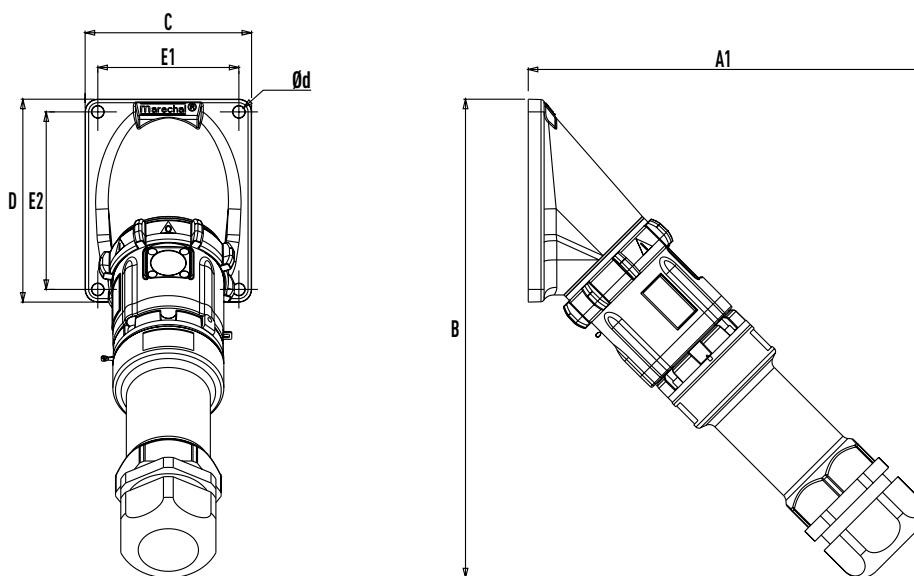
IECEx LCI 12.0005X  
LCIE 07 ATEX 6073 X

**COPPER LUGS**

**Lug choice depends on the cable:** the cross-section of the flexible cable mentioned in the table below is for information only. Please check dimensions as these may vary according to cable types and manufacturers.

Wiring (mm <sup>2</sup> )				Internal diameter (mm)
Flexible	Stranded	Reference	Reference	
50	70	454A50C	454A50D	11
70	95	454A70C	454A70D	13,1
95	120	454A95C	454A95D	14,5
120	150	454A12C	454A12D	16,2
150	185	454A15C	454A15D	18
185	240	454A18C	454A18D	20,6
240	300	454A24C	454A24D	23,1
300	400	454A30C	454A30D	26,1
400	500	454A40C	454A40D	29,2

\* Wiring with crimping lugs, according to NF C20-130 standard (for VDE 0220 standard, please contact us).  
Crimping: Double hexagonal crimping is recommended.



	A1	B	E1	E2	D	C	Ød*
<b>SPeX</b>	250	302	89	112	128	105	7.5

\*Ød : maximum drilling diameter.

# CUSTOMIZED SOLUTIONS



FIND ALL INFORMATION  
ON OUR WEBSITE:



[marechal.com](http://marechal.com)



Dimensions  
and certificates



[technor.com](http://technor.com)



**MXBS P. 206**

### SOCKET-OUTLET COMBINATION BOXES

- II 2 G D Ex eb IIC, Ex tb IIIC
- Intrinsic safety capability
- IP66 Water-and dust-tight
- GRP casing, aluminium, stainless steel AISI 316 L
- Assembly of multi-contact connectors and socket-outlets on the same enclosure
- Custom configuration



**MXBJ P. 208**

### JUNCTION BOXES

- II 2 G D Ex eb IIC, Ex tb IIIC
- Intrinsic safety capability
- IP66 Water-and dust-tight
- GRP casing, aluminium, stainless steel AISI 316 L
- Custom configuration



**B2X P. 210**

### SOCKET OR JUNCTION BOXES

- II 2 G D Ex e IIC, Ex tb IIIC
- Intrinsic safety capability
- IP66/IP67 Water-and dust-tight
- GRP casing
- For Ex socket and/or EX terminals
- 120x120 mm or 160x160 mm
- On hinges



**Technor® P. 212**

### A WIDE RANGE OF TECHNOLOGICALLY ADVANCED PRODUCTS

- Lighting
- Flameproof enclosure
- Junction boxes
- Control station
- Visual signal
- Cable glands & fittings

# MXBS



## SOCKET-OUTLET COMBINATION BOXES



ⓐ

**680 A**

- ▶ Ex eb IIC, Ex tb IIIC
- ▶ Intrinsic safety capability
- ▶ IP66 Water-and dust-tight
- ▶ GRP casing, aluminium, stainless steel AISI 316 L
- ▶ Assembly of multi-contact connectors and socket-outlets on the same enclosure
- ▶ From -55 °C to +60 °C





## ASSOCIATED MARECHAL® PRODUCTS

<b>DECONTACTOR™</b>	DXA1, DXN1, DXN3 and DXN6
<b>Connectors</b>	PNCX and SPeX
<b>Multicontact connectors</b>	PXN12C, DXN25C and DXN37C

## CLIMATIC FEATURES

<b>Temperature range and ratings</b>	From -55 °C to +60 °C
--------------------------------------	-----------------------

## ATEX MARKINGS

<b>ATEX zones</b>	Gas and Dust : zones 1 & 2, 21 & 22
-------------------	-------------------------------------

<b>ATEX markings</b>	II 2 G Ex eb IIC T* Gb increased safety
	II 2 G Ex ia IIC T* Gb or  II 2 G Ex ib IIC T* Gb increased safety
	II 2 G Ex eb ia or eb ib IIC T* Gb increased safety and intrinsic safety
	II 2 D Ex tb IIIC T* Db in dust

<b>Standards compliance</b>	IEC/EN 60079-0, 60079-7, 60079-11 and 60079-31
-----------------------------	--

<b>Certificates</b>	Certificates IECEX N° IECEX LCI 11.0042X and ATEX n° LCIE 11 ATEX 3047X
---------------------	---

\* Depending on the ambient temperature, the internal components and socket mix.

## MECHANICAL FEATURES

<b>Degree of protection</b>	IP66
-----------------------------	------

<b>Shock resistance</b>	IK09 according to IEC and EN 62 262
-------------------------	-------------------------------------

GRP casing, aluminium, stainless steel AISI 316 L. Casing made of High performance Poly for DXN1, DXN3 and DXN6 decontactors and PNCX, SPeX connectors.

**Material**  
Casing made of Metal for DXA1 DECONTACTOR™ and PXN12C, DXN25C and DXN37C multicontact connectors.  
Stainless steel screw.

## ELECTRICAL FEATURES

<b>Maximum voltage*</b>	1000 V AC/DC
-------------------------	--------------

<b>Maximum nominal current*</b>	680 A
---------------------------------	-------

<b>Flexible and stranded wiring (mini - maxi)*</b>	0.22-400 mm <sup>2</sup>
--	--------------------------

**Junction**  
Terminal blocks. Feed through and loop-in loop-out connection.

M12 to M80 depending on the size of the box/Polyamide cable gland for unarmoured cable.

**Cable entries and glands**  
Nickel plated brass cable gland for unarmoured cable and armoured cable (with plate or washer bonding inside the box).

\* Depending on the socket-outlet.



## ACCESSORIES ON REQUEST

- Inclined sleeve
- Earth stud
- Earth bar
- Hinges
- Mounting brackets
- Purge or breather
- Earthing plate
- Metal gland with or without earth ring

# MXBJ

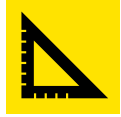


## JUNCTION BOXES



**400 A**

- ▶ II2 G D Ex eb IIC and Ex tb IIC
- ▶ Intrinsic safety capability
- ▶ IP66 Water-and dust-tight
- ▶ GRP casing, aluminium, stainless steel AISI 316 L
- ▶ From -55 °C to +60 °C
- ▶ Shock resistance IK09



## ELECTRICAL FEATURES

Maximum voltage*	750 V
Maximum nominal current*	400 A
Flexible and stranded wiring (mini - maxi)*	0,2-300 mm <sup>2</sup>
Cable entries	M12 to M80

\* Depending on the type of terminal connection.

## CLIMATIC FEATURES

Temperature range and ratings	From -55°C to +60°C
-------------------------------	---------------------

## MECHANICAL FEATURES

Degree of protection	IP66
Shock resistance	IK09 according to IEC and EN 62 262
Material	GRP casing, aluminium, stainless steel AISI 316 L. Stainless steel screws.

## ATEX MARKINGS

ATEX zones	Gas and Dust : zones 1 & 2, 21 & 22
------------	-------------------------------------

<b>ATEX markings</b>	II 2 G Ex eb IIC T* Gb increased safety
	II 2 G Ex ia IIC T* Gb or
	II 2 G Ex ib IIC T* Gb intrinsic safety
	II 2 G Ex eb ib or ia IIC T* Gb increased safety and intrinsic safety
	II 2 D Ex tb IIIC T* Db in dust

Standards compliance	IEC/EN 60079-0, 60079-7, 60079-11 et 60079-31
----------------------	--

Certificates	Certificates IECEx N° IECEx LCI 11.0026X and ATEX N° LCIE 11 ATEX 3028X
--------------	--

\* Depending on the ambient temperature, the internal components and socket mix.



## ACCESSORIES ON REQUEST

- Earth stud
- Earth bar
- Shield bar
- Junction bar
- Hinges
- Mounting
- Purge or breather
- Earthing plate
- Metal gland with or without earth ring

# B2X

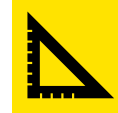


## SOCKET OR JUNCTION BOXES



**63 A**

- ▶ II 2 G D Ex e IIC, Ex tb IIIC
- ▶ Intrinsic safety capability
- ▶ IP66/IP67 Water-and dust-tight
- ▶ GRP casing
- ▶ With Ex e certified Terminal
- ▶ Dimension 120x120x90 mm or 160x160x90 mm



## ELECTRICAL FEATURES

Maximum voltage	750 V DC/AC
Maximum nominal current	63 A
Flexible and stranded wiring (mini - maxi)	0.22 – 35 mm <sup>2</sup>
Cable entries	M12 to M40

## CLIMATIC FEATURES

Temperature range	From -50 °C to +60 °C
-------------------	-----------------------

## MECHANICAL FEATURES

Dimensions	120x120x90 and 160x160x90
Degree of protection	IP66/IP67
Shock resistance	IK09 according to IEC and EN 62 262
Material	High performance GRP

## ASSOCIATED MARECHAL® PRODUCTS

DECONTACTOR™	DXA1, DXN1, DXN3 and DXN6
Connectors	PNCX
Multicontact connectors	PXN12C, DXN25C and DXN37C

## ATEX MARKINGS

ATEX zones	IECEx and ATEX for zones 1 and 2 (gas) and 21 et 22 (dusts)
------------	--

ATEX markings	⊕ II 2 G Ex e IIC T* Gb or Ex ia or ib IIC T* Gb or Ex e ia or ib IIC T* Gb
	⊕ II 2 D Ex tb IIIC T* Db

Standards compliance	IEC/EN 60079-0, 60079-7, 60079-11 and 60079-31
----------------------	---

Certificates	Certificates IECEx N° IECEx LCIE 16.0042X and ATEX N° LCIE 16 ATEX 3054X
--------------	---

\* Depends on equipment mounted in/on the enclosure and the ambient temperature. Ambient temperature: -50°C to +60°C T6/T5/T4 for gas.

For standard configurations of socket boxes with terminals, see the DXN1, DXN3 and DXN6 pages.  
For special configurations, contact us.



## ACCESSORIES ON REQUEST

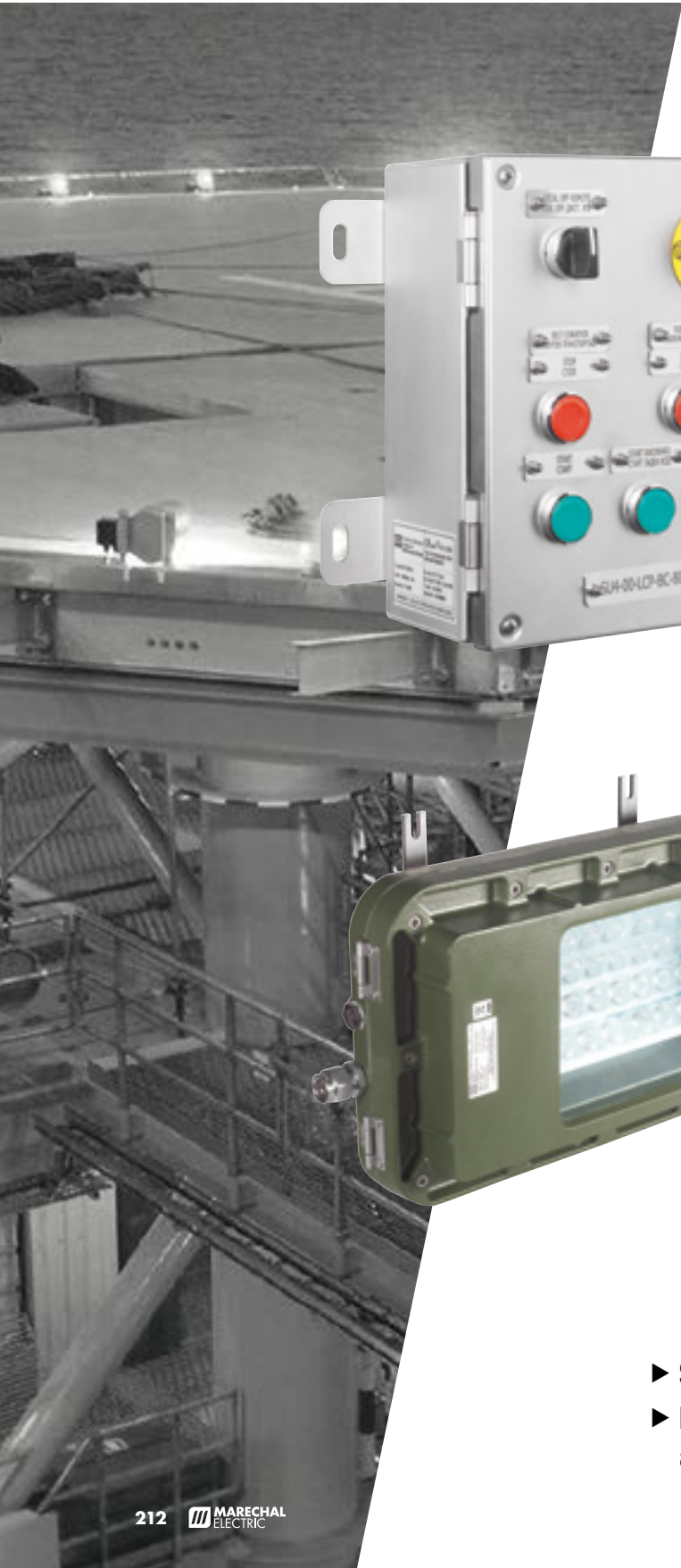
- Earth Stud
- Earth bar
- Junction bar
- Draining and breathing device
- Earth continuity plate
- Metal cable gland with or without earth continuity



**Technor**<sup>®</sup>



**A WIDE RANGE  
OF ATEX PRODUCTS**



- ▶ Safety of people
- ▶ Equipment and infrastructure in potentially explosive atmosphere



## LIGHTING

### Ex d, Ex de, Ex nA, Ex emb

A complete range of lighting with dedicated design for hazardous areas. Manufactured either in stainless steel, marine grade aluminium and cast steel with an extra Polyurethane painting. Every single light brings excellent photometric properties.



## CONTROL STATIONS

### Ex d, Ex e, Ex de, Ex dem

Range of GRP, Copper free aluminium or Stainless Steel control stations designed to offer a flexible, light weight and cost effective solution tailor made upon customer request.



## JUNCTION BOXES

### Ex d, Ex e et Ex ia

The AQ/AR range of stainless steel AISI-316L enclosure used as instrument and electrical terminal boxes, where an explosive atmosphere may be present and are especially recommended for chemical agent environments, sea-water corrosion resistance and extremes of low and high temperature, offshore and onshore oriented.

The CP./CPS.. range of copper free aluminium enclosures, used for terminals wiring, grants Ex d or Ex e mode of protection. Internal and external screws are made of AISI316 stainless steel. This series is tailor made on the base of customer specification, including quantity and type of terminals. These boxes are suitable for hazardous areas of industrial plants for indoor and outdoor applications.



## FLAMEPROOF ENCLOSURES

### Ex d IIB, IIB+H2 et IIC

Large range of enclosures manufactured in Copper free aluminium, Cast Iron or Stainless steel. Ideal for instrument housing, control, check, connection, automation, interruption and/or protection use. They can be equipped with pushbuttons, pilot lamps and selector switches.



## EARTHING SYSTEMS

### Ex d IIC T5 Gb

Control and discharge system for electrostatic charges suitable for road tankers, rail tankers and any movable tanker for dangerous items, ready for one/two double circuit clamps PTA ISE0-2. System is complete with arrest/consensus optical warning and changeover contact free from output voltage.



## VISUAL SIGNAL

### Ex d, Ex de IIC

The top of technology among Aircraft Warning Lights, LIOL, MIOL with LED technology, reliable long life and maintenance saving products, in compliance with ICAO and FAA, along with signalization unit like beacons, flashing unit, rotating light.

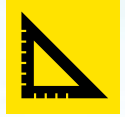


## CABLE GLANDS & ACCESSORIES

### Ex d/e

Single seal, double seals cable glands, suitable for unarmored and armored cables. Nickel-chrome plated brass, stainless steel and aluminum made, hexagon shape, anti-ageing EPDM oil resistant gaskets. These cable glands are used in classified Area Zone 1 & 2 and Zone 21 & 22.





# MAIN OPTIONS

DESCRIPTION OF THE KEY OPTIONS  
OF OUR PRODUCTS.



FIND ALL INFORMATION  
ON OUR WEBSITE:



[marechal.com](http://marechal.com)



Dimensions  
and certificates





MECHANICAL LOCKING.....	P. 218
STOP-LATCH.....	P. 219
TYPOLOGY OF LIDS.....	P. 220
DRAW MECHANISM .....	P. 222
ELECTROMAGNETIC COMPATIBILITY (EMC).....	P. 223
ADDITIONAL OPTIONS .....	P. 224
PILOTS & AUXILAIRIES .....	P. 226
MECHANICAL SELF-EJECTING SYSTEMS .....	P. 228
MAIN OPTION COMBINATION SUFFIXES.....	P. 232
EX REGULATIONS.....	P. 233
OLD/NEW ACCESSORIES	
REFERENCES .....	P. 238



# MECHANICAL LOCKING



Locking devices prevent the unintentional supply or use of an equipment during maintenance, and fit perfectly within consignment procedures known as LOTO (Lockout/Tag-out). Socket-outlets adjacent to electric machines or motors may be disconnected and locked-out thus providing a visible disconnection and protecting workers from a local security failure, without the use of an authorized electrician.

After disconnecting the DECONTACTOR™ in complete safety:

- The plug can be locked-out thus preventing its connection to any socket-outlet;
- The socket-outlet can also be locked-out cover closed;
- The plug and the socket-outlet can also be padlocked together to prevent any unwanted disconnection (supply of emergency equipment).
- Plug/appliance inlet: a padlock (or a safety lock) can be placed directly. Padlock not supplied.
- Socket-outlet alone (cover closed) or connected assembly: a padlock (or a safety lock) can be placed directly on the socket latch or onto a locking shaft under the latch (padlock not supplied).

Socket-outlet alone



Connected assembly



Plug alone



Suffix to be added to the socket-outlet or plug/inlet part number (P/N°) depending on the locking option:

OPTIONS	DSN SERIES	DS SERIES	DXN SERIES	DN SERIES	PN SERIES
Locking shaft for up to 2 padlocks Ø 4 to 8 mm max.	Socket-outlet P/N° + 843	Socket-outlet P/N° + 843 (DS2/DS6/DS4)	Socket-outlet P/N° + 843	NA	NA
Locking shaft for up to 3 padlocks Ø 8 mm max.	NA	Réf. socle + 844 (DS1/DS3/DS9)	NA	Réf. socle + 844	NA
Padlocking latch (no shaft) one padlock Ø 4 mm max.	NA	NA	NA	NA	Socket-outlet P/N° + 843
Allen-screw locking latch*	NA	DS2 Socket-outlet/P/N° + 22 (6 mm hexagonal key)	NA	NA	Socket-outlet P/N° + 22 (2.5 mm hexagonal key)
Locking plug/inlet (padlocking hole)		<<< Inlet P/N° + 843 >>>		NA	NA
Safety lock (up to 6 padlocks)		<<< P/N° 873A541 >>>			NA

\* no possibility to use a padlock.

Some of our ranges are equipped with a mechanical locking device as standard.

With a BTR screw:  
**PXN12C/DS4**



With lockable shaft:  
**DX/DXN25C et DXN37C**



Consignment:  
**DB**





## STOP-LATCH

This option is ideal for quick disconnection of machinery and equipment by employees wearing gloves.

The latch is fitted with a red label with warning "stop" for ease of identification.



The use of this latch is not recommended in case of extension cables.



### Suffix to be added to the socket-outlet part number (P/N°):

OPTION	DSN SERIES	DS SERIES*	DN SERIES
Stop-latch		<<< Socket-outlet P/N° + 453 >>>	

\* The stop-latch is standard for the DS2.



The stop latch is not an emergency-stop button



## TYOLOGY OF LIDS

### LIDS

#### Lid opening at 180°

Hinged lids of our products open as standard at 120°.

They may, however, depending on the configuration open at 180°.

MARECHAL® products lids are designed with an automatic opening, in order

to oblige the user to close it voluntarily and thus ensure the waterproofness of the socket-outlet, up to IP66/67/69K.

#### Suffix to be added to the socket-outlet part number (P/N°):

OPTION	DSN SERIES	DS9/2 METAL SERIES	DN SERIES	PN SERIES	DXN SERIES
Lid opening at 180°		<<< Socket-outlet P/N° + 10 >>>			

### LID OPENING AT 180° IS A STANDARD FOR THE DS1-, DS3-, DS6-POLY AND DS9-POLY.



Check that this option is compatible with the final assembly of the product.

### STANDARD LID CONFIGURATIONS



180° opening lid



120° opening lid



90° opening lid



Detached lid



## AUTOMATIC SELF-RETURNING LID AND LID-SPRUNG-CLOSED

A normally closed lid configuration is available for applications where it is desirable to protect the socket-outlet front – the Shutter – from ingress of dust and debris or potential damage.

This option provides a lid that automatically returns to a pre-closed position after withdrawal of the plug.

The user must then always manually close the lid in order to achieve the complete seal (IP-rating), except for the DS1-, DS3- and DS6-poly, for which there is an automatic sprung-closed lid.



### Suffix to be added to the socket-outlet part number (P/N°):

OPTION	DSN SERIES	DS SERIES <sup>(1)</sup>	DN SERIES	PN SERIES <sup>(2)</sup>	DXN SERIES
Socket-outlet with self-returning lid closed		<<< Socket-outlet P/N° + R >>>			

1 For DS1-, DS3- and DS6-poly, this is an automatic sprung-closed lid.

2 The IP55 PN series version is available with a standard automatic sprung-closed lid (no need to add R).

**DS1/DS3/DS6** example



**PN** example



This option is recommended for self-ejecting applications. See page 228.

## SELF-RETURNING LID + LID OPENING AT 180°

It is possible to combine these two options if required.

### Suffix to be added to the socket-outlet part number (P/N°):

OPTION	DSN SERIES	DS SERIES*	DN SERIES	PN SERIES	DXN SERIES
Self-returning lid opening at 180°		<<< Socket-outlet P/N° + 18 >>>			

\* Since lid opening at 180° is a standard for the DS1-, DS3-, DS6-poly and DS9-poly, the « R » for self-returning lid is sufficient.





## DRAW MECHANISM

### DRAW LEVERS

A draw-lever mechanism is available as an accessory for certain sizes in the DN series to ease inserting the plug into the socket-outlet.

Part numbers (P/N°) for these products:

OPTION	DN6
Draw Lever with handle alone	196A376
Draw base-plate alone	196A396



### FINGER DRAW PLATES

Other engagement support systems are available, especially for couple socket (plug + connector).

Part numbers (P/N°) for these products:

OPTION	DSN1	DSN3/DS1	DSN6/DS3	DS6
Plates	611A346	613A346	616A346	316A346



Finger draw-plates are available in pairs with 2 seals and mounting screws a bit longer than standard.

DS9 - 150 A



DS2 - 250 A



DS4 - 400 A



Some of our products are supplied with a draw mechanism as standard.





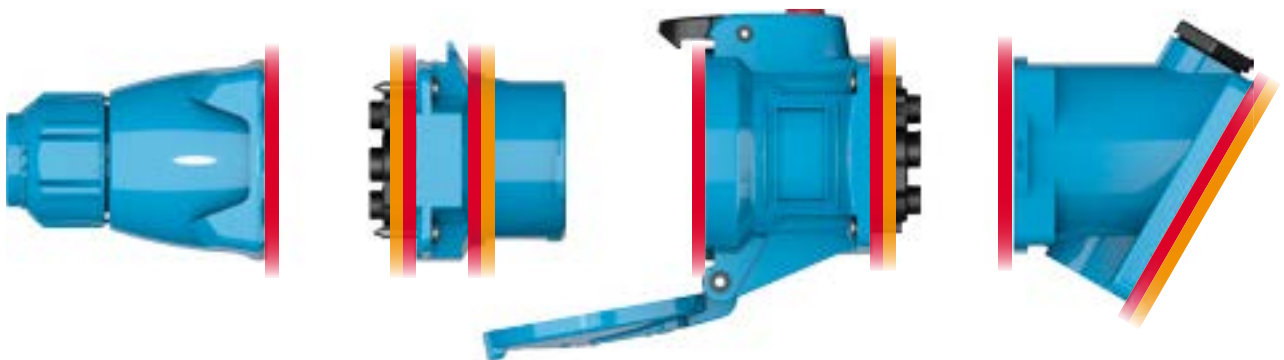
# ELECTROMAGNETIC COMPATIBILITY (EMC)

Most electrical and electronic equipments generate electromagnetic fields that sometimes interfere with the operation of other equipments. This option allows our metal cased devices to function properly in an electromagnetic environment without producing disturbances for everything that is in this environment, thus limiting the level of unwanted emissions from the device to not to disrupt radio reception or other equipment. Electromagnetic compatibility (EMC) tests are carried out on our products according to IEC 62153-4-5: 2016. Within a frequency range between **30 MHz** and **1000 MHz**, the **EMC** option offers an attenuation between **30 dB** and **70 dB** of the electromagnetic emissions.



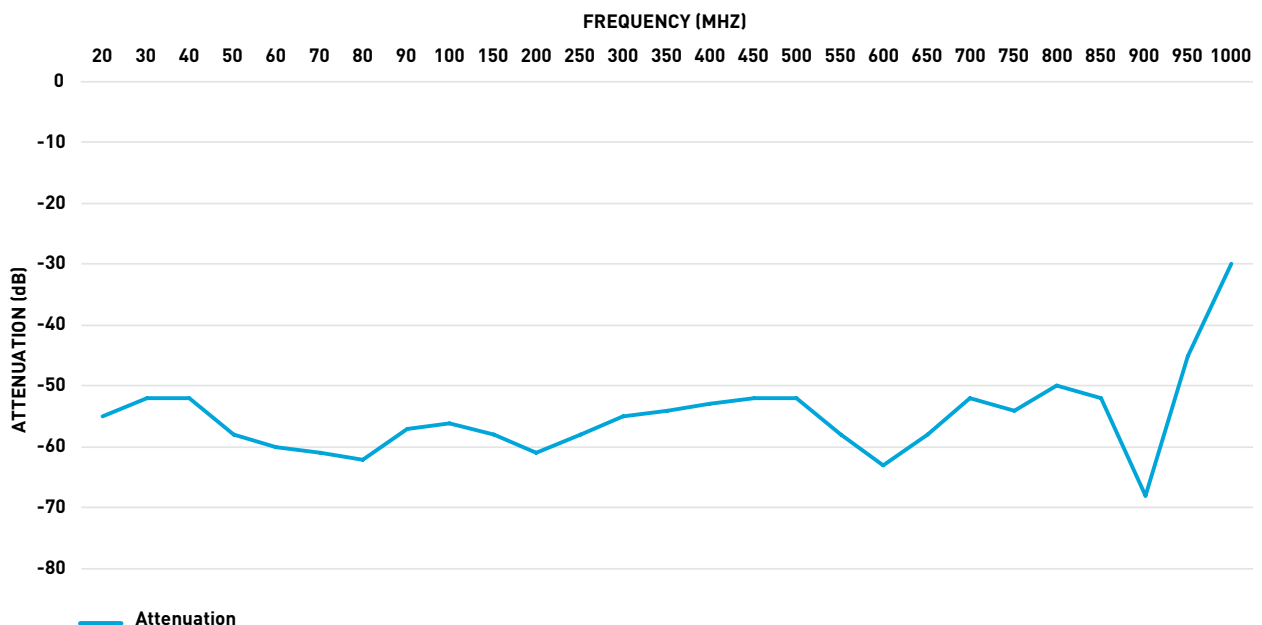
**Suffix to be added to socket-outlets, inlets and accessories part numbers (P/N°):**

OPTION	DS6 - DS9 - DS2	DN9C	PN SERIES
Electromagnetic compatibility	Socket-outlet, inlet & accessory P/N° + EMC		



- All contact surfaces are un-protected to provide optimal electrical conductivity;
- Gaskets are fitted with metallic braided fabric, silicone with Monel threads or graphite-loaded, ensuring an excellent EMC performance.

**Example: DS2 EMC shielding attenuation curve:**





## ADDITIONAL OPTIONS

### INCREASED WATERTIGHTNESS (IP66/IP67)

In order to increase the IP rating of a product that is not IP66/IP67 as standard, a seal is added to the plug (appliance Inlet), and the socket-outlet lid is fitted with a heavier, higher-IP sealing gasket.



**Suffix to be added to socket-outlet & inlet part number (P/N°):**

OPTION	DS6*	DS9 METAL	DS2	DN SERIES
Seals to IP66/IP67		<<< Socket-outlet & inlet P/N° + 600 >>>		

\* Automatic sprung-closed lid is not possible with this option. The only option in this instance is self-returning lid (R).



With this option, it is recommended to use our draw mechanisms systems, especially in couple socket configuration.

### REVERSED INTERIORS

In the PN series, the interior mouldings and contacts can be swapped:

- The plug interior moulding and contacts can be assembled in a socket-outlet casing.
- The socket-outlet moulding and contacts can be assembled in plug casing.

**Suffix to be added to socket-outlet & inlet part number (P/N°):**

OPTION	PN SERIES
Reversed interior mouldings and contacts	Socket-outlet & inlet P/N° + 001

As the plug top becomes the emitting part, it is supplied with a cap as standard (012A126).



### PHASE-SEQUENCE INDICATOR

The phase-sequence indicator is an accessory that provides a simple way to test if the phase sequence is correct, and the rotation direction of AC motors, from 250 to 690 V AC.

The accessory comprises a plug top to be mated directly with the socket-outlet which phase-sequence is to be tested. The plug top is either fitted with a handle with LEDs that illuminate to indicate the presence of phase and the phase-rotational direction, or connected with a cable to a phase sequence indicator.



Please contact us for part numbers



## VISUAL STATUS-INDICATORS

Our devices can be fitted with LEDs indicating the presence of voltage.

The LEDs are fitted on handles as follows:

- Tension 24 V AC                      Ø 8 mm yellow LED
- Tension 240 V AC                    Ø 8 mm red LED
- Tension 400 V AC                    Ø 8 mm red LED



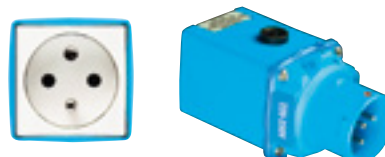
### Suffix to be added to handles part numbers (P/N°):

HANDLE	DSN1 - DSN3 - DSN6 - DS1 - DS3 - DS6 - DN8 - DN1 - DN3 - PN - DB3 - DB6
For 24 V	Standard P/N° + LY
For 240-400 V	Standard P/N° + LR



## INDUSTRIAL/DOMESTIC ADAPTER

In order to allow the connection of an appliance fitted with a domestic plug to an industrial type socket-outlet, MARECHAL ELECTRIC has developed an adapter which features a MARECHAL® single phase industrial plug top at one end and a 10/16 A - 230 V domestic socket at the other end. The adapter includes a 6 x 32 mm 10/16 A fuse-link.



### Part numbers (P/N°) for these products:

TYPE		DSN1	DSN3	DS1	DN8	PN
France	Poly	6118015D11	6138015D11	3118015D11	-	01N8015D11
	Metal	-	-	-	1988015D11	09N8015D11
United Kingdom	Poly	6118015D40	6138015D40	3118015D40	-	01N8015D40
	Metal	-	-	-	1988015D40	09N8015D40
Germany	Poly	6118015D30	6138015D30	3118015D30	-	01N8015D30
	Metal	-	-	-	1988015D30	09N8015D30
Italy	Poly	6118015D06	6138015D06	3118015D06	-	01N8015D06
	Metal	-	-	-	1988015D06	09N8015D06
Australia	Poly	6118015D67	6138015D67	3118015D67	-	01N8015D67
	Metal	-	-	-	1988015D67	09N8015D67



## PILOTS & AUXILIARIES

The use of socket-outlets and plugs with at least one pilot contact and cables with pilot conductors allows the remote control of a contactor (or similar electrically controlled switchgear). This concept is named "electrical interlocking".

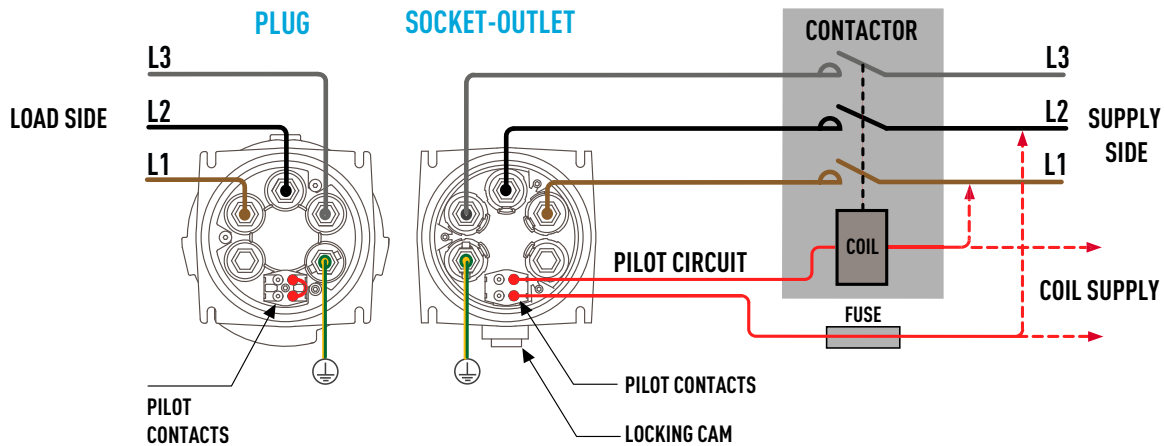
- The power supply of the socket-outlet must be controlled by a contactor or similar.
- One terminal of the contactor control-coil must be connected to a phase and the other terminal to the pilot contact of the socket-outlet.
- The cable (or coupler socket) between the source and the load, must include pilot conductor(s).

- The plug (or inlet) is provided with a shunt, which, when the socket-outlet and the plug are mated, closes the supply circuit for the up-stream feeding contactor coil.

- The contactor closes and power is fed downstream to the load.

The circuit must be so designed that the contactor coil can not be fed (and the contactor closed) until all connections downstream between socket-outlet (connector) and plug (appliance inlet) are completely made – i.e. closed.

Example of diagram for PFC series pilot circuit:



**Plug side:** 2 pilot contacts are shorted to close the pilot circuit.

**Socket-outlet side:** rotate the locking cam to lock/unlock the plug and close/open the pilot circuit.

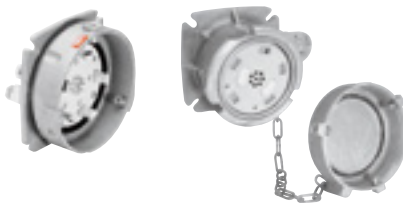
**Coil supply:** DC etc.

SP series



PF series

Up to 6 auxiliaries (and 2 contacts pilots)



DS4 series



Some of our products feature pilot contacts as standard.





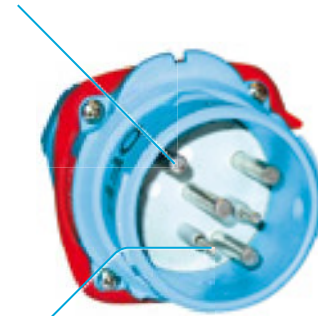
## AUXILIARY CONTACTS

Auxiliary contacts are often required for all kinds of remote control or signal transmission and in particular:

- To de-energized a motor-starter when a motor is disconnected.
- To connect a winding embedded thermistor for thermal protection of a pump motor.
- In particular for automated systems, it may be necessary to indicate if an equipment is connected or not.

MARECHAL® offers a wide range of products with up to 8 auxiliary contacts.

Power Contact



Auxiliary Contact

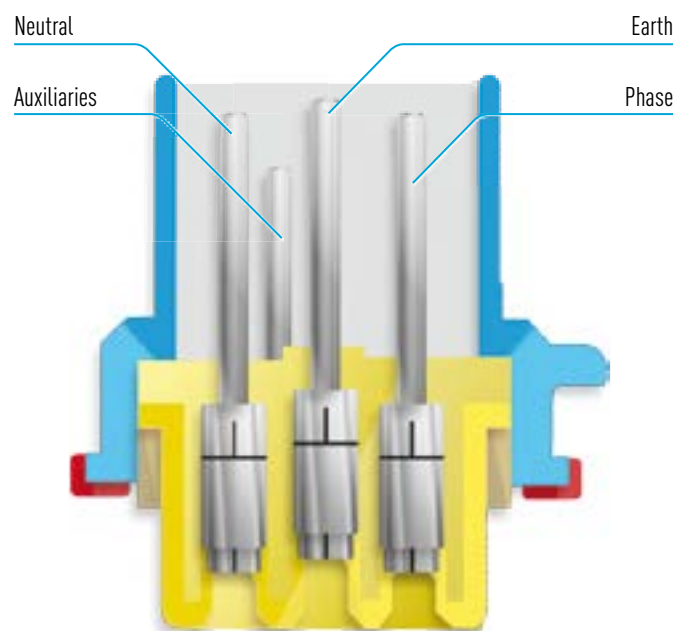
i

Please refer to the catalogue for information about the suffix for the socket-outlet and inlet part numbers, in relation to requirement for the number of auxiliary contacts.

## SEQUENCING BETWEEN AUXILIARY CONTACTS AND POWER CONTACTS (EARTH, NEUTRAL AND PHASES)

To ensure optimum operation, DECONTACTOR™ contacts are sequenced:

- 1 the earth contact closes first,
- 2 then the neutral contact,
- 3 then the phase contacts L1, L2 and L3,
- 4 and last the auxiliary contacts.



i

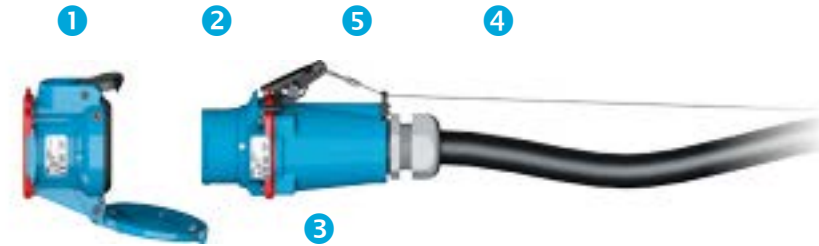
This design ensures no arc at connection and disconnection.



# MECHANICAL SELF-EJECTING SYSTEMS


## FIXED ELECTRIC POWER SUPPLY

Ejecting plug (inlet + handle)



Legends	INDUSTRIAL RANGE			ATEX RANGE	
	DSN	DS POLY	DS6 METAL	DS9 METAL	DXN
1 Socket-outlet	Ref. +352	Ref. +352	Ref. +352	Ref. +353	Ref. +352
2 Inlet	Standard	Standard	Standard	Ref. +204	Standard
3 Poly handles + eyelet	Ref. +443	Ref. +443	Ref. +443	Ref. +443	See DXN handle page 169
4 Tension cord	311A336	311A336	311A336	311A336	251A336
5 Mechanism	611A338 (DSN1) 613A338 (DSN3) 616A338 (DSN6)	311A338 (DS1) 313A338 (DS3) 316A338 (DS6)	316A338	399A338 (DS9)	251A338 (DXN1) 253A338 (DXN3) 256A338 (DXN6)

Cam Mechanism



INFOS +

FOR ELECTROMECHANICAL EJECTION SEE RETTBOX® IN PAGE 30

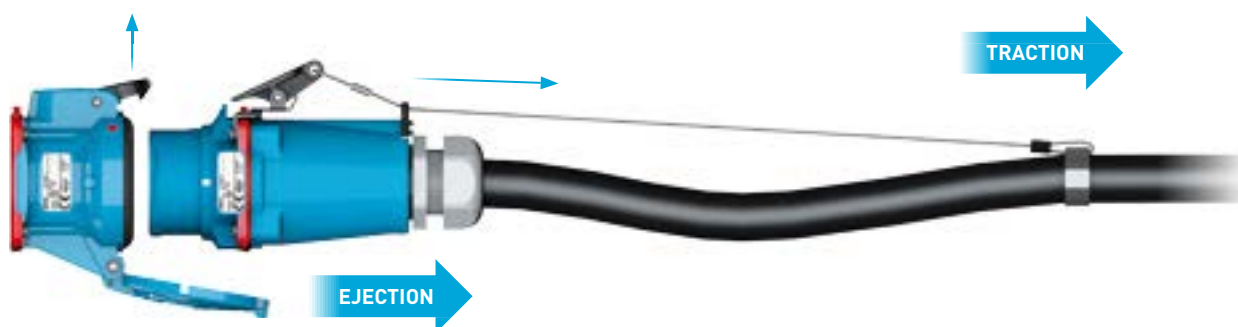




Step 1: self-ejection system at rest.



Step 2: the traction acts on the electrical cable and the rope. The ejection finger gradually raises the latch.



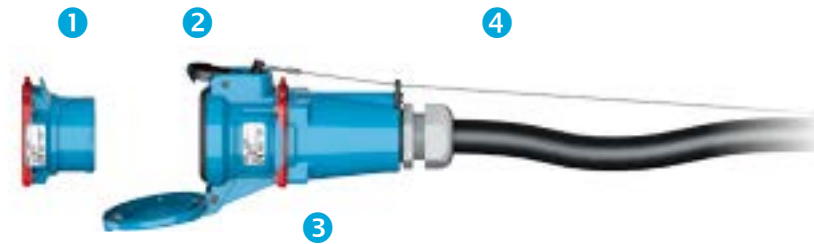
Step 3: the latch is fully raised by the ejection finger, causing the automatic ejection of the plug.



# MECHANICAL SELF-EJECTING SYSTEMS

## MOBILE POWER SUPPLY SOURCE

Ejecting coupler socket (handle + socket- outlet)



Legends	INDUSTRIAL RANGE			ATEX RANGE	
	DSN	DS POLY	DS6 METAL	DS9 METAL	DXN
1 Inlet	Standard	Standard	Standard	Ref. +204	Standard
2 Socket-outlet	Ref. +354	Ref. +354	Ref.+354	Ref. +365	Ref. +354
3 Poly handles + eyelet	Ref. +443	Ref. +443	Ref. +443	Ref. +443	See DXN handle page 169
4 Tension cord	311A336	311A336	311A336	311A336	251A336

For metal casing, we recommend to ensure the mooring of the product.  
If you want to fix the connector directly without a sleeve, provide a socket-outlet with a 180° opening option.

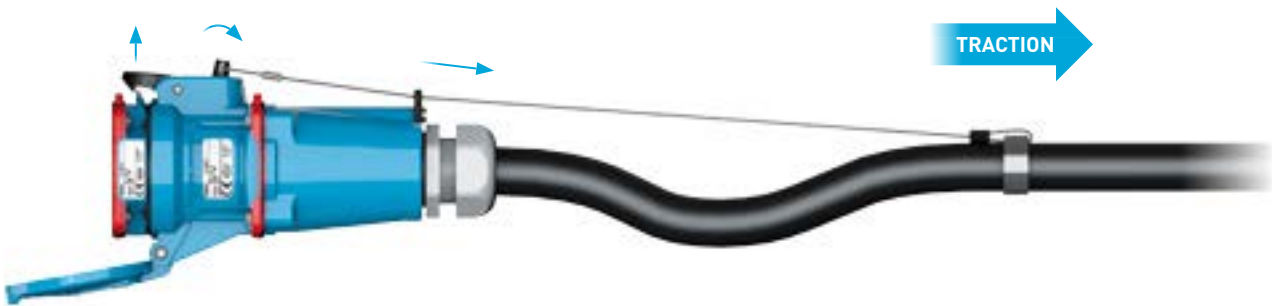
INFOS +

FOR ELECTROMECHANICAL EJECTION SEE RETTBOX® IN PAGE 30

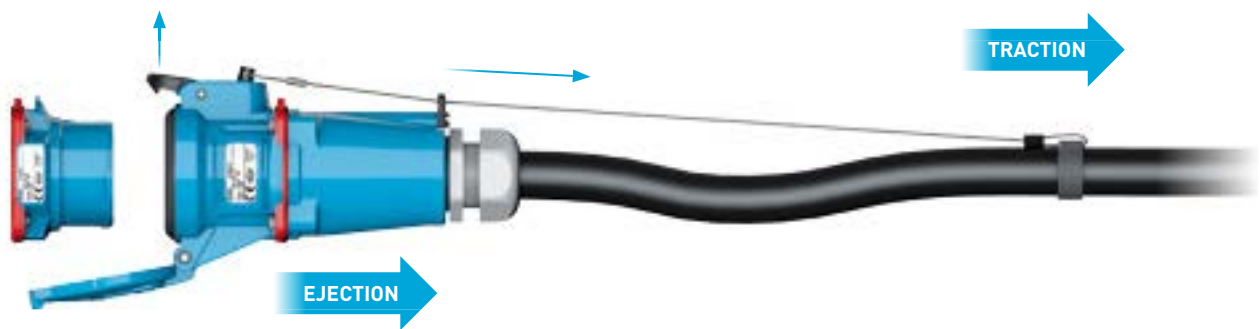




Step 1: Self-ejection system at rest.



Step 2: The traction acts on the electrical cable and the rope. The latch rises gradually.



Step 3: The latch is fully raised, causing the ejection of the socket automatically.





# MAIN OPTION COMBINATION SUFFIXES

3 digits suffixes (8, 9 and 10) for specials products, to be added to 7 digits for basic products.

## SOCKET SUFFIX

OPTION CHOICE							APPLICABLE RANGE									
Locking	180° Opening lid	Self returning lid	2 aux.	IP 66/67	Self ejection	Ejection latch	PN	DSN1 DSN3 DSN6	DN8 DN1 DN3	DN6	DS1 DS3	DS6 POLY	DS6 METAL	DS9 POLY	DS9 METAL	DS2
•							843	843	843	843	843	843	843	843	843	843
	•						10	10	10	10			10		10	10
		•					R	R	R	R	R	R	R	R	R	R
			•					972		972	972	972		262	262	972
				•					600	600		600	600		600	600
					•			341			341	341	341	341		
•	•					•		348	348	348	348	348			348	
•	•						841	841	841	841			841		841	841
•	•					•			672	672			672		672	672
•		•					858	858	858	858	858	858	858	858	858	858
•		•	•					977		977	977	977		662	662	977
•		•				•			588	588		588	588		588	588
•			•					372		372	372	372		213	213	372
•			•	•						807		807	807		808	807
•				•					659	659		659	659		659	659
•	•	•					514	514	514	514			514		514	514
•	•	•				•			809	809			809		809	809
	•	•					18	18	18	18			18		18	18
	•		•					961		961			961		210	961
	•			•					608	608			608		608	608
	•				•			184					184			
	•				•	•		384					384			
	•					•			612	612			612		612	612
	•	•				•		134					134			
	•	•				•		346					346			
	•	•	•			•		232					232			
		•	•					960		960	960	960	960	267	267	960
		•	•			•		853			853	853	853	093		
		•	•			•		973			973	973	973			
		•		•					605	605		605	605		605	605
		•			•			352			352	352	352	352		
		•				•		354			354	354	354			
		•				•		365	365	365	365	365	365		365	
		•				•			307	307		307	307		307	
		•				•						339	339			
		•	•	•						604		604	604		632	604
		•	•							602		602	602		655	602
		•				•		366			366	366	366			

## PLUG SUFFIX


OPTION CHOICE				APPLICABLE RANGE											
Locking	2 aux.	IP 66/67	Self ejection	PN	DSN1	DSN3 DSN6	DN8 DN1 DN3	DN6	DS1 DS3	DS6 POLY	DS6 METAL	DS9 POLY	DS9 METAL	DS2	
•					843	843			843	843	843	843	843	843	
	•					972		972	972	972	972	262	262	972	
		•					600	600		600	600		600	600	
			•				204	204					204	204	
•	•							372	372	372	372	213	213	372	
•	•							807			807		808	807	
•		•					659	659			659		659	659	
	•	•						602		602	602		655	602	
	•		•					206					530	206	
	•	•	•					374					189	374	
		•	•				620	620					620	620	



# REGULATIONS

## EUROPEAN ATEX DIRECTIVE

### > European Directive 2014/34/EU

ATEX Directive 2014/34/EU is a "new approach" directive that applies to protective systems against explosions as well as all equipment used in or related to explosive atmospheres, such as electrical and non-electrical equipment, components and safety, control and adjusting devices that are necessary for the safe operation of those equipment and protective systems. As a "new approach" directive, the 2014/34/EU Directive defines the essential requirements for the safety and health which shall be respected by all manufacturers. Devices falling within the scope of the European Directive and answering to the essential requirements for the safety and health are identified by a marking plate on which the  logo appears.

### > European Directive 1999/92/EC

The 1999/92/EC Directive aims to improve the safety and health protection of workers who may be exposed to potentially explosive atmospheres.

The site manager has the obligation:

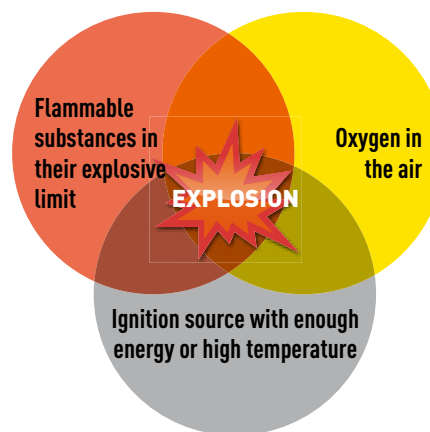
- to prevent the formation of explosive atmospheres or if this is not possible, prevent ignition of explosive atmospheres,
- to assess the specific risks arising from explosive atmospheres ; to draw up and keep up to date an explosion protection document,
- to classify places where explosive atmospheres may occur into zones,
- to mitigate the detrimental effects of an explosion to protect the health and safety of workers (install appropriate equipment, take organizational measures such as staff training, ...).

## INTERNATIONAL SCHEME: IECEx

IECEx Scheme: A voluntary certification scheme complying with international standards for electrical and non-electrical equipment for use in explosive atmospheres.

Its aim is to facilitate the international flow of equipment intended to be used in potentially explosive atmospheres (in compliance with one or more international standards defining the type of protection against the risk of explosion) and thus avoiding multiple national certifications and at the same time ensuring an appropriate level of safety. The IECEx certification scheme allows the manufacturers of "Ex proof" equipment to obtain a Certificate of Conformity that would be accepted in Member States in which this certification scheme is recognized.

### > Conditions for explosion



## AREAS CLASSIFICATION DEFINED BY DIRECTIVE 1999/92/EC

Probability of ATEX presence	Very High	High and Normal	Low
Definition	Location where an explosive atmosphere is present continuously or for a long period or frequently.	Location in which an explosive atmosphere occurs occasionally during normal operation.	Location where an explosive atmosphere is not liable to occur during normal operation or, if it does, is only short-lived (foreseeable abnormal operation).
Zoning for gas & vapours (1999/92/EC)	Zone 0	Zone 1	Zone 2
Zoning for dust & fiber (1999/92/EC)	Zone 20	Zone 21	Zone 22



# REGULATIONS

## ATEX/IECEX CLASSIFICATION

ATEX Category	IEC protection Level (EPL)	Zone of installation	Atmosphere
1G	Ga	0	GAS
2G	Gb	1	
3G	Gc	2	
1D	Da	20	DUST
2D	Db	21	
3D	Dc	22	
M1	Ma	MINING	COAL DUST METHANE
M2	Mb		

## GAS AND VAPOURS CLASSIFICATION AND TEMPERATURE CLASSIFICATION

Gases are divided into three groups by IEC/EN standards, four groups by the CEC (Canadian Electrical Code) and the NEC (National Electrical Code - US) standards. The groups defined in European, International and North American standards are fundamentally the same, as illustrated by the following table.

Gas group		Typical gas
EN/IEC	North America	
IIC	A	Acetylene
IIC	B	Hydrogen
IIB	C	Ethylene, Ethyl ether, Cyclopropane, Butadene 1-3
IIA	D	Propane, Ethane, Butane, Heptane, Acetone, Ethyl Alcohol

## DUST CLASSIFICATION

IEC/EN standards defines dust classification:

Dust group	Definition		
	Dust type	Size	Resistivity
IIIA	combustible flyings	> 500 µm	-
IIIB	non-conductive dust	≤ 500 µm	> 10 <sup>3</sup> Ω.m
IIIC	conductive dust	≤ 500 µm	≤ 10 <sup>3</sup> Ω.m

## TEMPERATURE CLASSES

Self ignition temperature of the gases/vapours	T6	T5	T4	T3	T2	T1
85 °C ≤ Temp. ≤ 100 °C						
100 °C < Temp. ≤ 135 °C						
135 °C < Temp. ≤ 200 °C						
200 °C < Temp. ≤ 300 °C						
300 °C < Temp. ≤ 450 °C						
450 °C < Temp.						

Equipment must never be used in an atmosphere capable of ignition at the temperature indicated on the marking (temperature class).

## MARKING EXPLANATION

**1** Manufacturer – Address     Type .... **3**  
**2**     S/N :....

**6** II 2 G D     Ex d IIC T\* Gb  
    Ex tb IIIC T\* Db

Class I Zone 1     AEx d IIC T\*, AEx tb IP6X T\*  
 Class I Div 1     Groups A, B, C, D T\*  
 Class II Div 1     Groups E, F, G T\*

**4** \* : -40 °C ≤ Ta ≤ +40 °C : T6 and T70 °C  
          -40 °C ≤ Ta ≤ +60 °C : T5 and T90 °C

**5** LCIE 16 ATEX ABCD X/IECEx INE 16.ABCD X

- 1** Manufacturer identification:
  - Name and/or trademark
  - Address
- 2** Conformity to all relevant European directives and/or North American standards
- 3** Product type
- 4** Temperature class
- 5** The certificate number endings:
  - none: OK to use without specific recommendations
  - X: equipment with special condition(s) for safe use
  - U: component (complementary certification needed for use)
- 6** Mark for product in the scope of directive 2014/34/EU and in compliance with ERSH  
 Directive 2014/34/EU marking:
  - II**: Equipment group = surface industry
  - 2**: Equipment category
  - G D**: Gas or Dust atmosphere

Gas details	Dust details
<b>Ex</b> : apparatus intended to be installed in hazardous location <b>e</b> : type of protection (e = increased safety) <b>IIC</b> : gas group / Subdivision C <b>T6</b> : temperature class <b>Gb</b> : equipment protection for use in zone 1 and 2	<b>Ex</b> : apparatus intended to be installed in hazardous location <b>tb</b> : type of protection (tb = protection by enclosure) <b>IIIC</b> : dust group / Subdivision C <b>T85°C</b> : maximum surface temperature <b>Db</b> : equipment protection use in zone 21 and 22 <b>IP66</b> : degree of watertightness

**EHSR**: Essential Health and Safety Requirements



# REGULATIONS

## PRESENTATION OF MOST COMMON TYPES OF PROTECTION

### > Flameproof « Ex d » equipment

A flameproof equipment offers an enclosure in which the parts which can ignite an explosive gas atmosphere can be placed. It withstands the pressure developed during an internal explosion of an explosive mixture, and prevents the transmission of the explosion to the explosive gas atmosphere surrounding the enclosure.

A flameproof enclosure must meet three criteria:

- Contain an internal explosion without permanent distortions.
- Guarantee that the explosion cannot be transmitted to the surrounding atmosphere.
- Have a temperature at any points on the surface that is lower than the self ignition temperature of the surrounding gases or vapours.

There are two construction values which are essential for a flameproof equipment to answer to the 3 criteria:

- the length of flameproof gasket (L)
- the gap (i)

These values depend on gas group and the maximum allowed gap depends on the length of flameproof gasket.

It is necessary to lubricate the thread and to ensure that at least 5 threads are engaged for metric thread and that 5 threads are present on each parts for NPT threads.

Holes which are not used for cable entries must be blanked using the appropriate blanking plugs.

The equipment is supplied with the lubricated gasket. When the equipment is installed, the flamespaths must be lubricated to keep it in good condition. Use a non-hardening, anti-corrosive grease (see technical note).

In order to successfully retain the flameproof character of the equipment:

- Care must be taken before starting up to ensure that all the screws for closing the covers and cable entries are firmly tightened and that the blocking device is well screwed, if necessary.
- Modification of the original predrilled holes is prohibited.

### > Increased Safety « Ex e » equipment

Method of protection applicable to electrical equipment such as light fittings, sockets, switches, etc, which consists of preventing the occurrence of any accidental ignition.

The construction principles for increased safety « e » equipment are as follows:

- Use of high-quality insulation materials
- Specially dimensioned clearance and creepage distance
- Electrical connection which can't become loose
- Minimum protection level against penetration into enclosures IP54
- Respect of the temperature classes
- Conformity of cable entries
- Labelling.

These principles are respected by screwing the cable gland directly onto the enclosure or, for untapped holes, by fixing with a locknut. Holes which are not used for cable entries must be blanked using the appropriate blanking plugs. The equipment has a protection level of at least IP 54; it is therefore important to ensure that the sealing gasket is in good condition when the product is installed. Defective seals must be systematically replaced.

It is important to be sure that the gasket is properly positioned for the plugs and sockets and for all the luminaries before connecting the male and female parts (for plugs and sockets) and before closing the light transmitting part of the lighting fixture.

For the connection, all technical note or instruction sheet shall be followed.

### > Products marked « Ex de »

Except «Ex d» enclosure, equipment having a combined protection type « d » and « e » are the most commonly used.

Some apparatuses such as power sockets, lampholders, etc, which create arcs and sparks in normal operation, can't be designed only with protection mode « e ».

- The part where the electric arc is produced is enclosed in a small flameproof chamber.
- The connection terminals are « e » increased safety.
- The assembly is mounted in an « e » increased safety enclosure.

### Cables entries

The connection of cables to the electrical equipment shall maintain the explosion protection integrity of the relevant type of protection. When the cable gland certificate has an 'X' marking, this cable gland shall only be used for fixed installations. When the equipment is only portable, cable glands without 'X' marking shall be used.



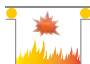


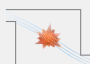

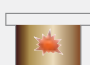

## INSTALLATION RECOMMENDATION

### > General requirements

Electrical installations for explosive atmosphere must comply with the requirements regarding installations in both non hazardous and hazardous locations:

- national rules (for example NFC 15-100 + BE3 condition for France),
- EN/IEC 60079-14,
- EN/IEC 60079-17.

### > Equipment selection (except cable entries)

Zones	Type of protection		Marking	EN/IEC standard
-	General requirements		-	60079-0
For use in Zones 1, 2	Flameproof enclosure		Ex d	60079-1
For use in Zones 1, 2	Increased safety		Ex e	60079-7
For use in Zones 0, 1, 2, 20, 21, 22	Intrinsic safety		Ex i	60079-11
For use in Zones 1, 2	Pressurization		Ex p	60079-2
For use in Zones 0, 1, 2, 20, 21, 22	Encapsulation		Ex m	60079-18
For use in Zones 1, 2	Oil immersion		Ex o	60079-6
For use in Zones 1, 2	Powder filling		Ex q	60079-5
For use in Zone 2	"Non sparking"		Ex n	60079-15
For use in Zones 20, 21, 22	Dust atmospheres		Ex t	60079-31



# OLD/NEW ACCESSORIES REFERENCES

## CROSS REFERENCES

Entry by the former reference towards the new one.

OLD REFERENCE	NEW REFERENCE	OLD REFERENCE	NEW REFERENCE	OLD REFERENCE	NEW REFERENCE	OLD REFERENCE	NEW REFERENCE
01NA013	511P0D18	09NA0055483	591B0N07	191A095418	593C0M25	193A653419	594C3M32
01NA013130	511P0D18	09NA005561	591B0M20	191A095419	593C0M32	193A653420	594C3M40
01NA013T	511P0D18	09NA0055Z0076	571B0Z0076	191A127	593M0	193A753	514P025P
01NA053	511B3M20	09NA0055Z1142	591B0Z1142	191A25325P	513P025P	193A95332M	594P032M
01NA053130	511B3M20	09NA205476	591F0N10	191A25332P	513P032P	193A95340M	594P040M
01NA053418	511B3M25	09NA653	591C4M20	191A25340P	513P040P	193A953417	594P0M20
01NA053568	511B320P568	09NA653418	591C4M25	191A253417	513P0M20	193A953418	594P0M25
01NA055	511B0M20	09NA653418EMC	591C4M25EMC	191A253418	513P0M25	193A953419	594P0M32
01NA055130	511B0M20	09NA653419	591C4M32	191A253419	513P0M32	193A953420	594P0M40
01NA055418	511B0M25	09NA653483	591C4N07	191A253420	513P0M40	193A95440M	5K4P040M
01NA055Z1156	511B0Z1156	09NA653EMC	591C4M20EMC	191A253Z1963	513P0Z1963	193A954420	5K4P0M40
01NA055Z1233	511B0Z1233	09NA653Z1676	591C4Z1676	191A44325P	513P025P443	193A963	594P025M
01NA25325P	511P025P	09NA95325M	591P025M	191A44332P	513P032P443	196A027	595M3
01NA25332P	511P032P	09NA95325M130	591P025M	191A443418	513P0M25443	196A027130	595M3
01NA253417	511P0M20	09NA95325MEMC	591P025MEMC	191A463	513P020P443	196A02761	595M3
01NA253418	511P0M25	09NA95332M	591P032M	191A473	513P0D30473	196A053	595C3M40
01NA253419	511P0M32	09NA95332MEMC	591P032MEMC	191A653	593C3M20	196A095	595C0M50
01NA253Z1154	511P0Z1154	09NA953417	591P0M20	191A653418	593C3M25	196A095419	595C0M32
01NA313	511P6D18	09NA953418	591P0M25	191A653419	593C3M32	196A095420	595C0M40
01NA313130	511P6D18	09NA953419	591P0M32	191A653420	593C3M40	196A095463	595C0M63
01NA313Z0037	511P6Z0037	09NA953478	571P0M25	191A753	513P020P	196A127	595M0
01NA753	511P020P	09NA953479	571P0M32	191A95325M	593P025M	196A25332P	515P032P
01NA753Z0361	511P0Z0361	09NA953481	591P0N10	191A95332M	593P032M	196A253419	515P0M32
02NA013	521P0D18	09NA95425M	5K1P025M	191A95332MEMC	593P032MEMC	196A253429	515P0M50
02NA313	521P6D18	09NA954418	5K1P0M25	191A95335932M	5T3P032M	196A25350P	515P050P
03NA313	531P6D18	09NA963	591P020M	191A95340M	593P040M	196A653	595C3M50
03NA313130	531P6D18	09NA963356	5K1P020M	191A953417	593P0M20	196A653419	595C3M32
04NA013	541P0D18	09NA963491	571P020M	191A953418	593P0M25	196A653420	595C3M40
04NA313	541P6D18	09NA963EMC	591P020MEMC	191A953419	593P0M32	196A653463	595C3M63
04NA313130	541P6D18	09NA963Z0076	571P0Z0076	191A953420	593P0M40	196A65361	595C3M50
05NA013	551P0D18	118A013	512P0D21	191A963	593P020M	196A653Z1566	595C3Z1566
05NA013130	551P0D18	118A013130	512P0D21	193A013	514P0D35	196A753	515P040P
05NA313	551P6D18	118A01361	512P0D21	193A013130	514P0D35	196A95332M	595P032M
0---92504-2	591B0M20	118A027	512M3	193A013T	514P0D35	196A953419	595P0M32
0---92504-3	571P020M185	118A053	512B3M20	193A027	594M3	196A953420	595P0M40
092A027	591M4	118A053130	512B3M20	193A027356	5K4M3	196A953429	595P0M50
092A027185	571M4185	118A653	512C3M20	193A02761	594M3	196A953463	595P0M63
092A055185	571B0M20185	191A013	513P0D30	193A053	594B2M25	196A95350M	595P050M
092A055186	571B0000185	191A013130	513P0D30	193A053419	594B2M32	196A963	595P040M
092A127-2035	571M0-2035	191A013230	513P0D30	193A05361	594B2M25	198A013	512P0D21
092A653185	571C4M20185	191A013P	513P0D30	193A095	594C0M25	198A027	592M3
092A672185	571C4M25185	191A013T	513P0D30	193A095419	594C0M32	198A027130	592M3
092A673185	571C4M32185	191A027	593M3	193A095420	594C0M40	198A027356	5K2M3
092A674185	571P025M185	191A027356	5K3M3	193A095429	594C0M50	198A027491	572M3
092A675185	571P032M185	191A027359	5T3M3	193A127	594M0	198A02761	592M3
092A963185	571P020M185	191A02761	593M3	193A127356	5K4M0	198A027826	592M3EMC
09NA027	591M3	191A053	593B2M20	193A25320P	514P020P	198A053	592B2M20
09NA027130	591M3	191A053077	593B2M25077	193A25332P	514P032P	198A053356	5K2B2M20
09NA027356	5K1M3	191A053098	593B2M20098	193A25340P	514P040P	198A053418	592B2M25
09NA027EMC	591M3EMC	191A053418	593B2M25	193A253417	514P0M20	198A053491	572B2M20
09NA055	591B0M20	191A053419	593B2M32	193A253420	514P0M40	198A05361	592B2M20
09NA055130	591B0M20	191A053419EMC	593B2M32EMC	193A463	514P025P443	198A053Z1069	5T2B2Z1069
09NA055418	591B0M25	191A05361	593B2M20	193A473	514P0D35473	198A095	592C0M20
09NA055418EMC	591B0M25EMC	191A095	593C0M20	193A653	594C3M25	198A095418	592C0M25



OLD REFERENCE	NEW REFERENCE	OLD REFERENCE	NEW REFERENCE	OLD REFERENCE	NEW REFERENCE	OLD REFERENCE	NEW REFERENCE
198A127	592M0	311A083000M	512B3M25	313A463	513P025P443	316A95350M	594P050M
198A25325P	512P025P	311A083130	512B3M25	313A473	513P0D30473	316A95350MEMC	594P050MEMC
198A25332P	512P032P	311A25320M	512P020M	313A653	513C3M25	316A953Z1904	594P0Z1904
198A25340P	512P040P	311A25325P	512P025P	313A653417	513C3M20	316A963	594P040M
198A253417	512P0M20	311A25332P	512P032P	313A653419	513C3M32	316A963130	594P040M
198A253418	512P0M25	311A25340P	512P040P	313A653420	513C3M40	316A963EMC	594P040MEMC
198A44325P	512P025P443	311A253417	512P0M20	313A753	513P025P	316A963Z1069	594P0Z1069
198A463	512P020P443	311A253418	512P0M25	313A95320M	593P020M	319A027	515M3
198A653	592C3M20	311A253419	512P0M32	313A95332M	593P032M	319A027130	515M3
198A653418	592C3M25	311A253420	512P0M40	313A95340M	593P040M	319A027400	515M3400
198A653419	592C3M32	311A253476	512PON10	313A953417	593P0M20	319A027773	515M3773
198A653420	592C3M40	311A25350P	512P050P	313A953418	593P0M25	319A207	515M3
198A753	512P020P	311A44325P	512P025P443	313A953419	593P0M32	319A25332P	515P032P
198A95325M	592P025M	311A44332P	512P032P443	313A953420	593P0M40	319A25340P	515P040P
198A95332M	592P032M	311A44340P	512P040P443	313A963	593P025M	319A253419	515P0M32
198A953417	592P0M20	311A443417	512P0M20443	316A013	514P0D35	319A253420	515P0M40
198A953418	592P0M25	311A443418	512P0M25443	316A013130	514P0D35	319A253429	515P0M50
198A953419	592P0M32	311A443420	512P0M40443	316A013230	514P0D35	319A253463	515P0M63
198A95349125M	572P025M	311A463	512P020P443	316A013488	514P0D35	319A253487	515PON12
198A954418	5K2P0M25	311A653	512C3M20	316A013 V	514P0D35	319A25363P	515P063P
198A963	592P020M	311A653130	512C3M20	316A013Z1133	514P0Z1133	319A653	515C3M50
198A963356	5K2P020M	311A653418	512C3M25	316A013Z1412	514P0Z1412	319A653419	515C3M32
198A963491	572P020M	311A653418130	512C3M25	316A027	514M3	319A653420	515C3M40
198A963Z1069	592P0Z1069	311A653419	512C3M32	316A027130	514M3	319A653463	515C3M63
199A027	595M3	311A653420	512C3M40	316A027230	514M3	319A653487	515C3N12
199A053	595E3M50	311A753	512P020P	316A053	514B3M40	319A753	515P050P
199A053463	595E3M63	311A95325M	592P025M	316A053130	514B3M40	319A873	515P040P873
199A095420	595C0M40	311A953417	592P0M20	316A073	514B3N12	319A95332M	595P032M
199A095463	595C0M63	311A953418	592P0M25	316A20380	514B3000	319A95340M	595P040M
199A127	595M0	311A953419	592P0M32	316A207	514M3	319A953419	595P0M32
199A25332P	515P032P	311A963	592P020M	316A25325P	514P025P	319A953420	595P0M40
199A25340P	515P040P	313A013	513P0D30	316A25332P	514P032P	319A953429	595P0M50
199A25363P	515P063P	313A013130	513P0D30	316A253417	514P0M20	319A953463	595P0M63
199A653	595C3M50	313A013230	513P0D30	316A253418	514P0M25	319A95363M	595P063M
199A653420	595C3M40	313A01361	513P0D30	316A253419	514P0M32	319A95363MEMC	595P063MEMC
199A753	515P050P	313A027	513M3	316A253420	514P0M40	319A953Z1060	595P0Z1060
199A95332M	595P032M	313A027130	513M3	316A253429	514P0M50	319A953Z1180	595P0Z1180
199A95340M	595P040M	313A027230	513M3	316A253487	514P0N12	319A963	595P050M
199A95363M	595P063M	313A02761	513M3	316A25350P	514P050P	319A963826	575P050MEMC
199A963	595P050M	313A053	513B3M25	316A44325P	514P025P443	319A963EMC	595P050MEMC
311A013	512P0D21	313A053130	513B3M25	316A44332P	514P032P443	341A027	542M3
311A013000M	512P0D21	313A053230	513B3M25	316A443417	514P0M20443	341A463	542P020P443
311A013130	512P0D21	313A073	513B3N10	316A443419	514P0M32443	351A013	552P0D21
311A013230	512P0D21	313A25320P	513P020P	316A463	514P040P443	351A013130	552P0D21
311A01361	512P0D21	313A25332P	513P032P	316A473	514P0D35473	351A027	552M3
311A013Z0361	512P0Z0361	313A25340P	513P040P	316A473130	514P0D35473	351A053	552B3M20
311A027	512M3	313A253417	513P0M20	316A473488	514P0D35473	351A253417	552P0M20
311A027130	512M3	313A253418	513P0M25	316A653	514C3M40	351A95325M	5K2P025M
311A027230	512M3	313A253419	513P0M32	316A653418	514C3M25	351A953Z1033	5K2P0Z1033
311A02761	512M3	313A253420	513P0M40	316A653419	514C3M32	352A013D25	556P0D25
311A053	512B3M20	313A253476	513P0N10	316A653429	514C3M50	352A013D35	556P0D35
311A053000M	512B3M20	313A253Z1280	513P0Z1280	316A753	514P040P	352A013D45	556P0D45
311A053130	512B3M20	313A44320P	513P020P443	316A95325M	594P025M	352A013D49	556P0D49
311A053230	512B3M20	313A44332P	513P032P443	316A95332MEMC	594P032MEMC	352A013D49130	556P0D49
311A053390	512B3M20390	313A44340P	513P040P443	316A953418	594P0M25	352A027	5K6M6
311A053418	512B3M25	313A443417	513P0M20443	316A953419	594P0M32	352A053475	5K6E6M75
311A073	512B3N07	313A443418	513P0M25443	316A953420	594P0M40	352A773	556P0000
311A083	512B3M25	313A443420	513P0M40443	316A953429	594P0M50	352A913	5K6P0D54

OLD REFERENCE	NEW REFERENCE	OLD REFERENCE	NEW REFERENCE	OLD REFERENCE	NEW REFERENCE	OLD REFERENCE	NEW REFERENCE
352A913-63	5K6P0D63	392A507463	596N0M63	396A95325M	594P025M	51BA058Z0039	512C7Z0039
353A013	553P0D30	392A507475	596N0M75	396A95332M	594P032M	51BA058Z0259	512C7Z0259
353A027	553M3	392A507575	576N0M75	396A953418	594P0M25	51BA058Z0451	512C7Z0451
353A053	553B3M25	392A723	596B3723	396A953420	594P0M40	51BA058Z0694	512C7Z0694
353A127	5K3M0	392A753	516P063P	396A95350M	594P050M	51BA058Z0778	512C7Z0778
353A253419	553P0M32	392A753Z0124	516P0Z0124	396A963	594P040M	51BA058Z0787	512C7Z0787
353A463	553P025P443	392A753Z1412	516P0Z1412	399A027	595M3	51BA058Z0788	512C7Z0788
353A473	553P0D30473	392A913	596P0D54	399A027130	595M3	51BA058Z1452	512C7Z1452
356A013	554P0D35	392A913-63	596P0D63	399A027355	5R5M3	51BA058Z1518	512C7Z1518
356A027	554M3	392A953429	596P0M50	399A027356	5K5M3	51BA058Z1631	512C7Z1631
356A053	554B3M40	392A953463	596P0M63	399A027357	5H5M3	51BA058Z1756	512C7Z1756
356A25350P	554P050P	392A953475	596P0M75	399A02761	595M3	51BA757	512M7
356A463	554P040P443	393A027	593M3	399A027826	595M3EMC	51CA055	513F0000
356A473	554P0D35473	393A027491	573M3	399A027EMC	595M3EMC	51CA058	513C7000
356A95332M	5K4P032M	393A053	593B2M25	399A027 V	595M3	51CA058420	513C7M40
356A953429	5K4P0M50	393A095	593C0M25	399A053	595E3M50	51CA058Z0451	513C7Z0451
356A95350M	5K4P050M	393A095417	593C0M20	399A053061463	595E3M63	51CA058Z0694	513C7Z0694
356A963	5K4P040M	393A095419	593C0M32	399A053356	5K5E3M50	51CA058Z0778	513C7Z0778
359A027	555M3	393A127	593M0	399A053463	595E3M63	51CA058Z0788	513C7Z0788
359A25325P	555P025P	393A653	593C3M25	399A053475	595E3M75	51CA058Z1756	513C7Z1756
359A25363P	555P063P	393A653417	593C3M20	399A05361	595E3M50	51CA757	513M7
359A753	555P050P	393A653419	593C3M32	399A053Z0035	595E3Z0035	51DA058	514C7000
359A953463	5K5P0M63	393A653420	593C3M40	399A053Z1905	595E3Z1905	51DA757	514M7
359A95363M	5K5P063M	393A653483	593C3N07	399A095	595C0M50	55AA058	551C7000
359A953Z1204	5K5P0Z1204	393A953Z0027	573P0Z0027	399A095420	595C0M40	55BA058	552C7000
359A963	5K5P050M	393A953Z0920	573P0Z0920	399A095463	595C0M63	55BA757	552M7
391A027	592M3	393A953Z1431	573P0Z1431	399A095Z1164	595C0Z1164	55CA058	553C7000
391A053	592B2M20	393A953Z1552	573P0Z1552	399A107	595A107	55CA757	553M7
391A095	592C0M20	394A02525Z25M	577C7M63Z25M	399A127	595M0	611A013	511P0D18
391A095418	592C0M25	394A02563M	577C763M	399A127EMC	595M0EMC	611A013130	511P0D18
391A095419	592C0M32	394A02575M	577C775M	399A503	595F0	611A01361	511P0D18
391A127	592M0	394A02768	597M6	399A653	595C3M50	611A013Z1412	511P0Z1412
391A653	592C3M20	394A915-57	577P0D57	399A653073	595C3N20	611A053	511B3M20
391A653418	592C3M25	394A915-62	577P0D62	399A653419	595C3M32	611A053130	511B3M20
391A653419	592C3M32	394A915-68	577P0D68	399A653420	595C3M40	611A05325P	511B325P
392A027	596M6	394A91573	577P0D73	399A653463	595C3M63	611A053418	511B3M25
392A027130	596M6	396A013	514P0D35	399A65361	595C3M50	611A053484	511B3N05
392A027355	5R6M6	396A025490	594F0N20	399A653EMC	595C3M50EMC	611A057	511M3
392A027357	5H6M6	396A027	594M3	399A653Z1695	595C3Z1695	611A057130	511M3
392A02761	596M6	396A027130	594M3	399A895	595E0M50	611A065	551B0065
392A053	596E6M63	396A027356	5K4M3	399A953429	595P0M50	611A073	511B3N05
392A053429	596E6M50	396A027EMC	594M3EMC	399A95363M	595P063M	611A165	551B0165
392A053475	596E6M75	396A027 V	594M3	399A963	595P050M	611A165Z1901	551B0Z1901
392A05361	596E6M63	396A053	594B2M40	399A963826	595P050MEMC	611A25320M	511P020M
392A053C0937	596E6C0937	396A053420EMC	594B2M40EMC	51AA058	511C7000	611A25325M	511P025M
392A053Z0094	596C6Z0094	396A053Z1069	5T4B2Z1069	51AA058130	511C7000	611A25325P	511P025P
392A053Z1089	596E6Z1089	396A073	594B2N12	51AA05820M	511C720M	611A25332M	511P032M
392A053Z1279	596C6Z1279	396A095	594C0M40	51AA058417	511C7M20	611A25332P	511P032P
392A053Z1396	596E6Z1396	396A095418	594C0M25	51AA058418	511C7M25	611A253417	511P0M20
392A053Z1466	596E6Z1466	396A095419	594C0M32	51AA058419	511C7M32	611A253418	511P0M25
392A053Z1467	596E6Z1467	396A095429	594C0M50	51AA058Z0596	511C7Z0596	611A253419	511P0M32
392A053Z1664	596E6Z1664	396A095800	594C0000	51AA058Z0694	511C7Z0694	611A253484	511P0N05
392A053Z1824	596E6Z1824	396A127	594M0	51AA058Z0778	511C7Z0778	611A253Z1413	511P0Z1413
392A073	596E6N20	396A653	594C3M40	51AA058Z0786	511C7Z0786	611A265	551B0265
392A127	596M0	396A653130	594C3M40	51AA058Z1249	511C7Z1249	611A413	511P0D21
392A253463	516P0M63	396A653418	594C3M25	51AA058Z1756	511C7Z1756	611A413Z0065	511P0Z0065
392A253475	516P0M75	396A653419	594C3M32	51AA058Z1866	511C7Z1866	611A44325P	511P025P443
392A25375M	516P075M	396A653420EMC	594C3M40EMC	51AA757	511M7	611A44332P	511P032P443
392A25375M404	516P075M	396A653429	594C3M50	51BA058	512C7000	611A463	511P020P443
392A253D63	516P0D63	396A653429130	594C3M50	51BA05820M	512C720M	611A653	511C3M20
392A503	596F0000	396A653490	594C3N20	51BA058417	512C7M20	611A653483	511C3N07
392A503463	596F0M63	396A653Z0757	594C3Z0757	51BA058418	512C7M25	611A653484	511C3N05
392A503490	596F0N20	396A653Z1427	594C3Z1427	51BA058419	512C7M32	611A753	511P020P



OLD REFERENCE	NEW REFERENCE	OLD REFERENCE	NEW REFERENCE	OLD REFERENCE	NEW REFERENCE	OLD REFERENCE	NEW REFERENCE
611A953417	591P0M20	616A44332P	513P032P443	693A053	592B2M20	876A053417	594C7M20
611A953418	591P0M25	616A44340P	513P040P443	693A095	592C0M20	876A053418	594C7M25
611A953419	591P0M32	616A443418	513P0M25443	693A095418	592C0M25	876A053419	594C7M32
613A013	512P0D21	616A463	513P025P443	693A095419	592C0M32	876A053420	594C7M40
613A013130	512P0D21	616A473	513P0D30473	693A095420	592C0M40	876A053420EMC	594C7M40EMC
613A01361	512P0D21	616A473130	513P0D30473	693A127	592M0	876A053429	594C7M50
613A013Z1412	512P0Z1412	616A653	513C3M25	693A653	592C3M20	876A053429130	594C7M50
613A027	512M3	616A653417	513C3M20	693A653418	592C3M25	876A053800	594C7000
613A027130	512M3	616A653419	513C3M32	693A653419	592C3M32	876A087	594M7
613A053	512B3M20	616A653420	513C3M40	693A653420	592C3M40	876A087356	5K4M7
613A053130	512B3M20	616A753	513P025P	696A027	593M3	876A095418	594C0M25
613A053418	512B3M25	616A95320M	593P020M	696A053	593B2M25	876A095419	594C0M32
613A053Z1182	512B3Z1182	616A95332M	593P032M	696A095	593C0M25	876A253418	514P0M25
613A073	512B3N07	616A95340M	593P040M	696A095417	593C0M20	876A253419	514P0M32
613A083	512B3M25	616A953417	593P0M20	696A095419	593C0M32	876A253420	514P0M40
613A25325P	512P025P	616A953418	593P0M25	696A095420	593C0M40	876A25350P	514P050P
613A25332P	512P032P	616A953419	593P0M32	696A127	593M0	876A653	594C3M40
613A25340P	512P040P	616A953420	593P0M40	696A653	593C3M25	876A653418	594C3M25
613A253417	512P0M20	616A963	593P025M	696A653417	593C3M20	876A653419	594C3M32
613A253418	512P0M25	619A253463	515P0M63	696A653419	593C3M32	876A653429	594C3M50
613A253419	512P0M32	619A25363M	515P063M	696A653420	593C3M40	876A753	514P040P
613A253420	512P0M40	619A25363P	515P063P	873A013	513P0D30	876A95325M	594P025M
613A253483	512P0N07	619A253Z1414	515P0Z1414	873A025417	591F0M20	876A95332M	594P032M
613A253Z1902	512P0Z1902	619A443463	515P0M63443	873A025418	591F0M25	876A95350M	594P050M
613A44325P	512P025P443	651A013	551P0D18	873A025419	591F0M32	876A963	594P040M
613A44332P	512P032P443	651A053	551B3M20	873A025420	591F0M40	879A025419	595F0M32
613A44340P	512P040P443	651A057	551M3	873A025800	591F0000	879A025420	595F0M40
613A443417	512P0M20443	651A25325P	551P025P	873A027	593M3	879A025429	595F0M50
613A443418	512P0M25443	651A253417	551P0M20	873A053	593C7M25	879A025463	595F0M63
613A443419	512P0M32443	651A463	551P020P443	873A053417	593C7M20	879A025800	595F0000
613A443420	512P0M40443	653A013	552P0D21	873A053419	593C7M32	879A053463EMC	595C7M63EMC
613A463	512P020P443	653A027	552M3	873A053420	593C7M40	879A087	595M7
613A653	512C3M20	653A083	552B3M25	873A053800	593C7000	879A087130	595M7
613A653418	512C3M25	653A25325P	552P025P	873A053Z0918	593C7Z0918	879A087356	5K5M7
613A653419	512C3M32	653A25332P	552P032P	873A053Z1213	593C7Z1213	879A087826	595M7EMC
613A653420	512C3M40	653A463	552P020P443	873A053Z1431	573C7Z1431	879A127	595M0
613A653483	512C3N07	656A013	553P0D30	873A053Z1652	593C7Z1652	879A25332P	515P032P
613A753	512P020P	656A027	553M3	873A087	593M7	879A25340P	515P040P
613A95325M	592P025M	656A053	553B3M25	873A087356	5K3M7	879A253429	515P0M50
613A95332M	592P032M	656A25340P	553P040P	873A087P	593M7P	879A25363P	515P063P
613A953417	592P0M20	656A253420	553P0M40	873A095419	593C0M32	879A503	595F0
613A953418	592P0M25	656A753	553P025P	873A25320P	513P020P	879A653419	595C3M32
613A953419	592P0M32	659A01361D25	555P0D25	873A25332P	513P032P	879A653420	595C3M40
613A963	592P020M	659A01361D35	555P0D35	873A25340P	513P040P	879A653463	595C3M63
616A013	513P0D30	659A01361D45	555P0D45	873A253417	513P0M20	879A753	515P050P
616A013130	513P0D30	659A013D25	555P0D25	873A253418	513P0M25	879A823	595C7M50
616A01361	513P0D30	659A013D25488	555P0D25	873A653	593C3M25	879A823419	595C7M32
616A013Z1412	513P0Z1412	659A013D35	555P0D35	873A653417	593C3M20	879A823420	595C7M40
616A027	513M3	659A013D35130	555P0D35	873A653419	593C3M32	879A823463	595C7M63
616A027130	513M3	659A013D35488	555P0D35	873A653420	593C3M40	879A823Z1607	595C7Z1607
616A053	513B3M25	659A013D45	555P0D45	873A753	513P025P	879A823Z1737	595C7Z1737
616A053077	513B3M25077	659A013D45130	555P0D45	873A95320M	593P020M	879A853	595E7M50
616A053130	513B3M25	659A013D45488	555P0D45	873A95332M	593P032M	879A853463	595E7M63
616A053Z1182	513B3Z1182	659A013D49	555P0D49	873A95340M	593P040M	879A95332M	595P032M
616A073	513B3N07	659A013VD35	555P0D35	873A963	593P025M	879A95340M	595P040M
616A25320P	513P020P	659A013Z1415	555P0Z1415	876A013	514P0D35	879A953420	595P0M40
616A25332M	513P032M	659A013Z1416	555P0Z1416	876A013130	514P0D35	879A953429	595P0M50
616A25332P	513P032P	659A463D35	555P0D35443	876A025418	594F0M25	879A953463	595P0M63
616A25340P	513P040P	659A463D45	555P0D45443	876A025419	594F0M32	879A95363M	595P063M
616A253417	513P0M20	659A773	555P0000	876A025420	594F0M40	879A963	595P050M
616A253418	513P0M25	681A013	581P0D18	876A025429	594F0M50		
616A253419	513P0M32	683A013	582P0D21	876A025800	594F0000		
616A253420	513P0M40	693A027	592M3	876A053	594C7M40		





## WEBSITE

- Configure your product reference with our online configurator.
- Register your products warranty online.
- Retrieve your business contacts.
- Download our documentation related to your field of activity.
- Download our products drawings.
- Learn more about our group.
- Discover our new products.
- Follow our current events.
- Ask your questions online.

FIND ALL INFORMATION  
ON OUR WEBSITE:



[marechal.com](http://marechal.com)

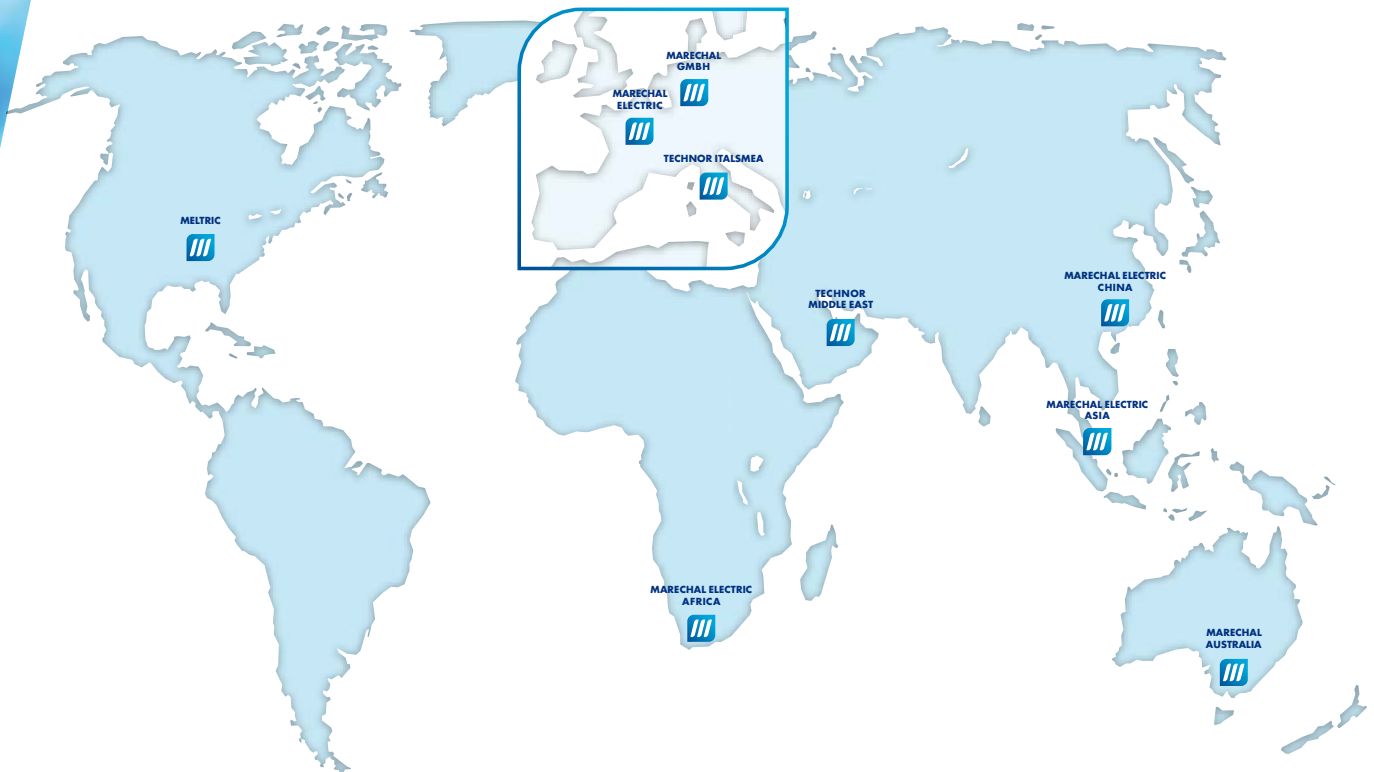


## **NON CONTRACTUAL DOCUMENT AND PICTURES**

All the indications appearing in this catalogue are indicative and could not constitute a commitment on our part.  
We reserve the right to alter specifications of our products without any prior notice in our efforts to continuously improve our products features.  
For your information, the most updated version is the one of our website [marechal.com](https://www.marechal.com).



# WORLD PRESENCE



## MARECHAL ELECTRIC S.A.S (Head Office)

5, avenue de Presles  
94417 Saint-Maurice Cedex, FRANCE  
Phone : +33 (0)1 45 11 60 00  
Fax : +33 (0)1 45 11 60 60  
e-mail: [contact@marechal.com](mailto:contact@marechal.com)

### Africa SADC area

MARECHAL ELECTRIC AFRICA (PTY) LTD.  
PO Box 13875 Witfield 1467  
Unit A1 Harvard Lane  
Aero Star Business Park  
Jet Park Road, Jet Park  
South Africa  
Tel.: +27 11 894 7226/7/8  
Fax: 086 604 1778  
e-mail: [sales.za@marechal.com](mailto:sales.za@marechal.com)

### Asia

MARECHAL ELECTRIC Asia Pte Ltd  
9 Tagore Lane  
#01-05 9@Tagore  
Singapore 787472  
Tel. : +65 6554 2722  
Fax: +65 6455 9077  
e-mail: [sales.asia@marechal.com](mailto:sales.asia@marechal.com)

### Australia

MARECHAL AUSTRALIA PTY LTD  
20 Technology Circuit  
HALLAM VIC 3803  
Australia  
Tél. : +61 (0)38786 2500  
Fax : +61 (0)38786 2511  
e-mail : [sales@marechal.com.au](mailto:sales@marechal.com.au)

### China

MARECHAL ELECTRIC (CHINA) Co., Ltd  
11 North Xiangshui Road,  
West Dayawan District,  
Huizhou.P.R.C  
Tel/Fax: +86 (0)752-5319536  
e-mail: [sales.cn@marechal.com](mailto:sales.cn@marechal.com)

### Germany/Austria/Switzerland/ East Europe/Russia

MARECHAL GmbH  
Im Lossenfeld 8  
D-77731 Willstätt-Sand  
Germany  
Tel.: +49 (0)7852/91 96-0  
Fax: +49 (0)7852/91 96-19  
e-mail: [info.de@marechal.com](mailto:info.de@marechal.com)

### Middle East

Technor Middle East DMCC  
Unit No.2101, Fortune Executive  
Tower, Plot No T1  
Jumeirah Lakes Towers  
P.O. Box 392054  
Dubai, United Arab Emirates  
Tel. : +971 4 362 1418  
Fax: +971 4 362 1419  
e-mail: [sales.me@marechal.com](mailto:sales.me@marechal.com)

### USA/Canada/Mexico

MELTRIC Corporation  
4765 W. Oakwood Park Drive  
Franklin WI 53132, USA  
Tel.: +1 414 433 2700  
Fax: +1 414 433 2701  
e-mail: [mail@meltric.com](mailto:mail@meltric.com)

### TECHNOR

TECHNOR ITALSMEA S.p.A.  
Via Italia 33,  
20060 Gessate (MILANO)  
Italia  
Tél. : +39 02 95 00 151  
Fax : +39 02 95 00 15 27  
e-mail: [sales@italsmea.com](mailto:sales@italsmea.com)

For any other country or area, please contact head office.


[marechal.com](http://marechal.com)

# INDUSTRIAL APPLICATION





I max	Nb max contact	Nb aux. max	(AC/DC) U max	IP max	Material	Temperature	
<b>DECONTACTOR™ = SWITCH + SOCKET-OUTLET</b>							<b>Page 14</b>
20-63 A	5	4	1000 V	66/67/69k	Poly	-40 °+60 °C	DSN
30-400 A	5	6	1000 V	55	Poly/Metal	-40 °+60 °C	DS
125 A	4	2	440 V	66	Metal	+400 °C	DSHT
20-90 A	5	4	500 V	55	Metal	-40 °+60 °C	DN
40-125 A	5	4	690 V	66/67	Metal	-40 °+60 °C	DB
<b>MULTICONTACT</b>							<b>Page 82</b>
25 A	7		500 V	66/67	Poly/Metal	-40 °+60 °C	PN7C
30 A	9		415 V	54/55	Metal	-40 °+60 °C	DN9C
16 A	12		480 V	66/67	Poly/Metal	-40 °+60 °C	PN12C
25 A	20		415 V	54/55	Metal	-40 °+60 °C	DN20C
16 A	24		480 V	66/67	Poly	-40 °+60 °C	DSN24C
16 A	37		480 V	66/67	Poly	-40 °+60 °C	DSN37C
<b>INDUSTRIAL PLUGS</b>							<b>Page 98</b>
16 A	5		480 V	66/67/68	Poly	-40 °+100 °C	PNC
30 A	5		500 V	66/67	Poly/Metal	-40 °+60 °C	PN
30 A	5		500 V	44	Metal	240 °C	PNHT
315-400 A	5	8	690 V	66/67	Metal	-40 °+60 °C	PFQ
500-600 A	5	4	1000 V	66/67	Metal	-40 °+60 °C	PFC
<b>SINGLE POLE POWER CONNECTOR</b>							<b>Page 124</b>
75-250 A	1		50 V		Poly	-40 °+60 °C	CS2/3
400 A	1		1000 V		Poly	-40 °+60 °C	CS1000
700 A	1		1000 V		Poly	-40 °+60 °C	SP
<b>CUSTOMIZED SOLUTIONS</b>							<b>Page 142</b>

Distribution boxes, service boxes, with or without MCB, cable extension.

# ZONE APPLICATION

I max	Nb max contact	Nb aux. max	(AC/DC) U max	IP max	Material	Temperature	
<b>DECONTACTOR™ = SWITCH + SOCKET-OUTLET</b>							<b>Page 160</b>
20-63 A	4	2	750 V	66/67	GRP	-40 °+60 °C	DXN
20 A	4		550 V	66/67	Metal	-55 °+60 °C	DXA1
20-200 A	4		750 V	65	Metal	-40 °+60 °C	DX
<b>MULTICONTACT CONNECTORS</b>							<b>Page 188</b>
10 A	12		220 V	65/66	Metal	-40 °+55 °C	PXN12C
10 A	25		440 V	66/67	Metal	-40 °+55 °C	DXN25C
10 A	37		230 V	66/67	Metal	-40 °+55 °C	DXN37C
<b>PRISE ZONES EX</b>							<b>Page 198</b>
5 A	5		250 V	66/67	GRP	-40 °+60 °C	PNCX
<b>SINGLE POLE POWER CONNECTOR</b>							<b>Page 200</b>
680 A	1		1000 V	65/66	GRP	-20 °+60 °C	SPeX
<b>CUSTOMIZED SOLUTIONS</b>							<b>Page 204</b>
Socket-Outlet combination boxes				66	GRP/ALU/STAIN-LESS STEEL	-55 °+60 °C	MXBS
Junction boxes				66	GRP/ALU/STAIN-LESS STEEL	-55 °+60 °C	MXBJ
Junction & socket boxes				66/67	GRP	-50 °+60 °C	B2X
TECHNOR® products						-50 °+60 °C	

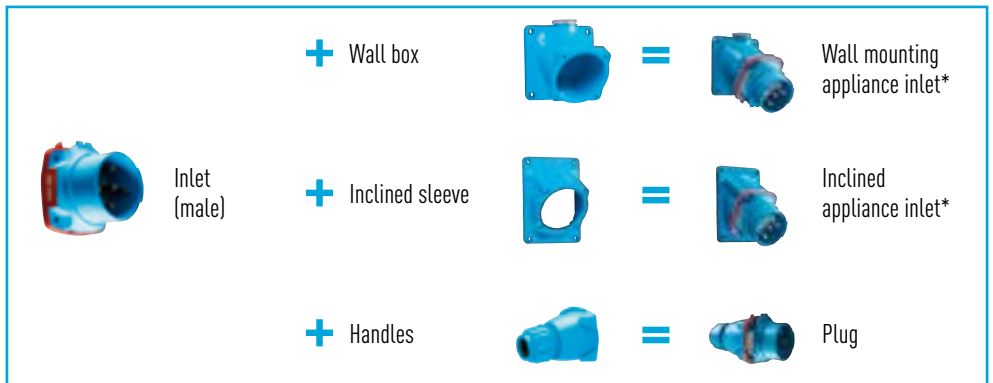
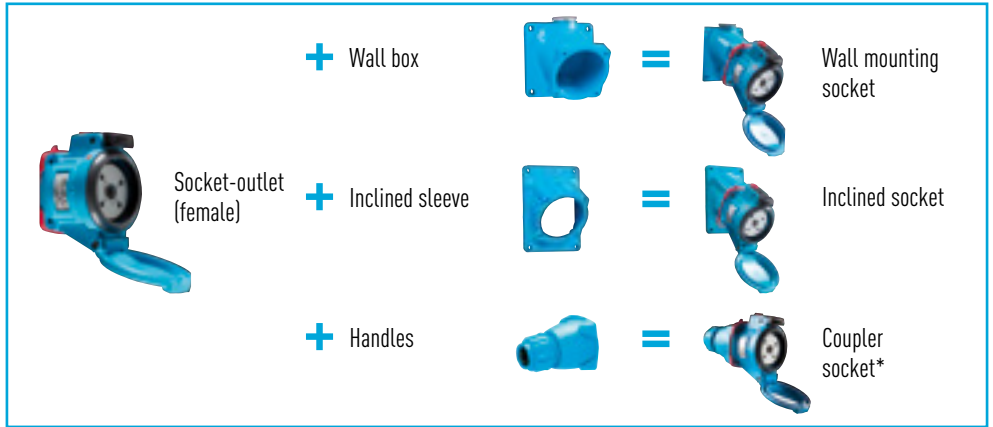
## LEGEND FOR OPTIONAL ACCESSORIES

-  Angle
-  Threading or gland size
-  EMC option
-  HT 240° C
-  Self-ejection

INFO +

## A MODULAR SYSTEM TO SUIT A MAXIMUM NUMBER OF DIFFERENT COMBINATIONS

By combining 2 products and 3 assembly accessories, 6 additional products can be obtained.



\*Link to the application, IP66 option is recommended.

## IEC 60309-1 NORM TERMINOLOGY

