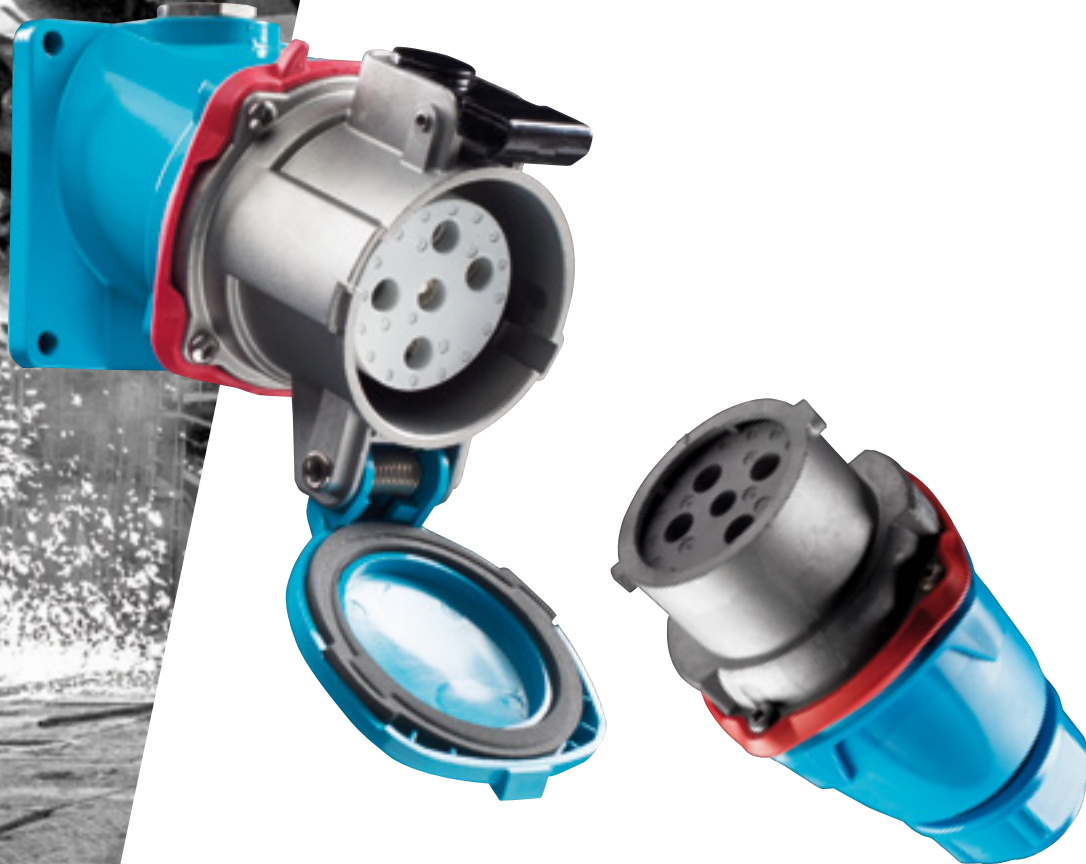


DN



DECONTACTOR™ METAL



20 A/30 A/50 A/90 A

- ▶ IP55 automatic (IP66/67 optional)
- ▶ AC-22 and AC-23 Integrated Breaking Capacity (IEC/EN 60947-3)
- ▶ Impact resistant metal casing - IK09
- ▶ Suitable for heavy industry

TECHNICAL FEATURES

Plugs and sockets with integral load-break switching capability according to IEC/EN 60947-3.

	DN8	DN1	DN3	DN6
Rated current (I _n)	20 A	30 A	50 A	90 A
U _{max}	500 V	500 V	500 V	500 V
AC-22 switching capability	20 A/400 V	30 A/400 V	50 A/400 V	90 A/400 V
Auxiliary contacts (optional)	–	–	–	4
Keying positions	<<< 16 >>>			
Ambient temperature	<<< -40 °C to +60 °C >>>			

MOUNTING: LOAD BREAK RELEASE BUTTON SHOULD BE AT THE TOP



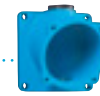
DN DECONTACTOR™ complies with:

- The essential requirements of IEC/EN 60309-1 & IEC/EN 60309-4 European and International standards (plugs and socket-outlets for industrial purposes),
- The European Low Voltage Directive 2014/35/EU, conformity with the CE marking,
- The European 'Machine Directive' 2006/42/CE regarding equipment isolation,
- The French NF C 15-100 standard,
- The French decree dated 20 December 2011 pertaining to the wiring and operating conditions of movable electrical apparatuses,
- The decrees relating to workers' protection in Belgium, Spain and Italy,
- The load-break capability for AC-22 category described in IEC/EN 60947-3.

Also certified by TR CU (GOST) (Russian inspection laboratory).



WALL MOUNTING SOCKET DN8



Wall box metal 20°
592B2M20

Socket-outlet
1984017

PLUG DN8



Straight handle poly
512P0D21

Inlet
1988017

MAIN FEATURES

Rated current (with wiring according to standard)	20 A	Ambient temperature	-40 °C to +60 °C
Maximum voltage	500 V	Flexible wiring (min-max)	1-6 mm ²
IP protection lid closed	IP55	Stranded wiring (min-max)	1,5-10 mm ²
IP protection plug connected	IP54	Other wiring	on request
Shock resistance (metal casing)	IK09	Keying positions	16

Load-break capability of the DECONTACTOR™

Comply with IEC/EN 60309-1 and IEC/EN 60309-4 standards	20 A/500 V
Load-break capability according to IEC/EN 60947-3/AC-22 A	(20 A/400 V) or (10 A/500 V)

SOCKET-OUTLET female DN8 (20 A)



INLET male DN8 (20 A)



Dual-voltage socket-outlet (see p. 7)

20-24 V AC	2P	198408A	198808A
220-250 V AC	1P+N+E	1984015	1988015
380-440 V AC	3P+E	1984013	1988013
220-250 V AC 380-440 V AC	3P+N+E	1984017	1988017
480-500 V AC	3P+E	1984093	1988093
480-500 V AC	3P+N+E	1984097	1988097

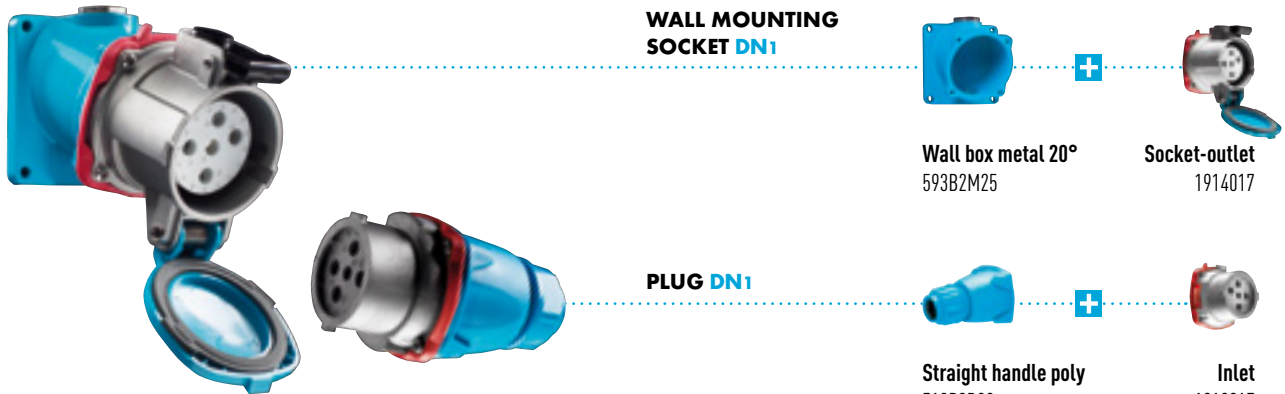
► Other voltages, frequencies and contact configurations are available (see page 10).

INFO+

OPTIONS AND ACCESSORIES

Find the boxes, sleeves and handles at the end of the section page 64.





WALL MOUNTING SOCKET DN1



Wall box metal 20°
593B2M25



Socket-outlet
1914017

PLUG DN1



Straight handle poly
513POD30



Inlet
1918017

MAIN FEATURES

Rated current (with wiring according to standard)	30 A	Ambient temperature	-40 °C to +60 °C
Maximum voltage	500 V	Flexible wiring (min-max)	2,5-6 mm ²
IP protection lid closed	IP55	Stranded wiring (min-max)	2,5-10 mm ²
IP protection plug connected	IP54	Other wiring	on request
Shock resistance (metal casing)	IK09	Keying positions	16

Load-break capability of the DECONTACTOR™

Comply with IEC/EN 60309-1 and IEC/EN 60309-4 standards

30 A/500 V

Load-break capability according to IEC/EN 60947-3/AC-22 A

(30 A/400 V) or (16 A/500 V)

SOCKET-OUTLET female DN1 (30 A)



INLET male DN1 (30 A)



Dual-voltage socket-outlet (see p. 7)

20-24 V AC	2P	191408A	191808A
220-250 V AC	1P+N+E	1914015	1918015
380-440 V AC	3P+E	1914013	1918013
220-250 V AC / 380-440 V AC	3P+N+E	1914017	1918017
480-500 V AC	3P+E	1914093	1918093
480-500 V AC	3P+N+E	1914097	1918097

► Other voltages, frequencies and contact configurations are available (see page 10).

INFO+

OPTIONS AND ACCESSORIES

Find the boxes, sleeves and handles at the end of the section page 64.





WALL MOUNTING SOCKET DN3



Wall box metal 20°
594B2M25



Socket-outlet
1934017

PLUG DN3



Straight handle poly
514P0D35



Inlet
1938017

MAIN FEATURES

Rated current (with wiring according to standard)	50 A	Ambient temperature	-40 °C to +60 °C
Maximum voltage	500 V	Flexible wiring (min-max)	2,5-16 mm ²
IP protection lid closed	IP55	Stranded wiring (min-max)	2,5-25 mm ²
IP protection plug connected	IP54	Other wiring	on request
Shock resistance (metal casing)	IK09	Keying positions	16

Load-break capability of the DECONTACTOR™

Comply with IEC/EN 60309-1 and IEC/EN 60309-4 standards	50 A/500 V
Load-break capability according to IEC/EN 60947-3/AC-22 A	(50 A/400 V) or (32 A/500 V)

SOCKET-OUTLET female DN3 (50 A)



INLET male DN3 (50 A)



Dual-voltage socket-outlet (see p. 7)

20-24 V AC	2P	193408A	193808A
220-250 V AC	1P+N+E	1934015	1938015
380-440 V AC	3P+E	1934013	1938013
220-250 V AC 380-440 V AC	3P+N+E	1934017	1938017
480-500 V AC	3P+E	1934093	1938093
480-500 V AC	3P+N+E	1934097	1938097

► Other voltages, frequencies and contact configurations are available (see page 10).

INFO+

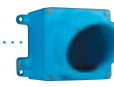
OPTIONS AND ACCESSORIES

Find the boxes, sleeves and handles at the end of the section page 64.





WALL MOUNTING SOCKET DN6



Wall box metal 30°
595C3M50



Socket-outlet
1964017

PLUG DN6



Straight elastomer
555POD35



Inlet
1968017

MAIN FEATURES

Rated current (with wiring according to standard)	90 A	Ambient temperature	-40 °C to +60 °C
Maximum voltage	500 V	Flexible wiring (min-max)	10-25 mm ²
IP protection lid closed	IP55	Stranded wiring (min-max)	10-35 mm ²
IP protection plug connected	IP54	Other wiring	on request
Shock resistance (metal casing)	IK09	Keying positions	16

Load-break capability of the DECONTACTOR™

Comply with IEC/EN 60309-1 and IEC/EN 60309-4 standards

90 A/500 V

Load-break capability according to IEC/EN 60947-3/AC-22 A

(90 A/400 V) or (63 A/500 V)

SOCKET-OUTLET female DN6 (90 A)



INLET male DN6 (90 A)



Dual-voltage socket-outlet (see p. 7)

20-24 V AC	2P	196408A	196808A
220-250 V AC	1P+N+E	1964015	1968015
380-440 V AC	3P+E	1964013	1968013
220-250 V AC / 380-440 V AC	3P+N+E	1964017	1968017
480-500 V AC	3P+E	1964093	1968093
480-500 V AC	3P+N+E	1964097	1968097
Auxiliaries 10 A/400 V AC	+ 4 contacts	Ref. + 264	Ref. + 264

► Other voltages, frequencies and contact configurations are available (see page 10).

INFO+

OPTIONS AND ACCESSORIES

Find the boxes, sleeves and handles at the end of the section page 64.











OPTIONS (DETAILS ON PAGE 216)

	DN8 Size 2	DN1 Size 3	DN3 Size 4	DN6 Size 5
INDUSTRIAL-DOMESTIC ADAPTERS				
	Industrial inlet MARECHAL® 1P+N+E + domestic socket-outlet 10/16 A 230 V. 1988015D11*	NA	NA	NA
	* All these plug adapters are available to foreign standards : replace D11 by D40 for UK, D30 for Germany/NL/Lux, D06 for Italy.			
LOCKING SHAFT FOR 3 PADLOCKS Ø 8 mm (PADLOCKS NOT SUPPLIED)				
	Socket-outlet ref. + 844	Socket-outlet ref. + 844	Socket-outlet ref. + 844	Socket-outlet ref. + 844
SAFETY HASP FOR UP TO 6 PADLOCKS				
	873A541	873A541	873A541	873A541
INLET CAP				
	198A126	191A126	193A126	196A126
LARGER RELEASE BUTTON				
	Ref. + 453	Ref. + 453	Ref. + 453	Ref. + 453
180° OPENING LID				
	Metal socket ref. + 10	Metal socket ref. + 10	Metal socket ref. + 10	Metal socket ref. + 10
SELF-RETURNING LID (WITHOUT FULL CLOSURE IP40)				
	Socket-outlet ref. +R	Socket-outlet ref. +R	Socket-outlet ref. +R	Socket-outlet ref. +R
180° OPENING & SELF-RETURNING LID				
	Socket-outlet ref. + 18	Socket-outlet ref. + 18	Socket-outlet ref. + 18	Socket-outlet ref. + 18
CLOSING MECHANISM				
				Draw lever only: 196A376 Draw plate only: 196A396
IP66/67 SOCKET-OUTLET AND INLET (RECOMMENDED IN THE CASE OF COUPLER SOCKET)				
	Ref. + 600	Ref. + 600	Ref. + 600	Ref. + 600



ACCESSORIES

(SEE PAGE 238 TO CROSS REFERENCE WITH OLDER PART NUMBERS)

HANDLES		DN8 Size 2	DN1 Size 3	DN3 Size 4	DN6 Size 5
POLY HANDLE WITH GLAND					
	5-21 mm	512P0D21			
	10-30 mm		513P0D30		
	13-35 mm			514P0D35	
	5-21 mm	552P0D21			
	10-30 mm		553P0D30		
	13-35 mm			554P0D35	
ELASTOMER HANDLE WITH GLAND					
	18-25 mm				555P0D25
	25-35 mm				555P0D35
	35-45 mm				555P0D45
	45-49 mm				555P0D49
POLY HANDLE WITH POLY CABLE GLAND					
	5-12 mm	512P020P			
	9-18 mm	512P025P	513P025P		
	14-25 mm	512P032P	513P032P	514P032P	515P032P
	18-32 mm	512P040P	513P040P	514P040P	515P040P
	24-38 mm			514P050P	515P050P
	35-48 mm				515P063P
METAL HANDLE WITH METAL GLAND (+ EARTHING WIRE)					
	7-13 mm	592P020M	593P020M		
	8-16 mm	592P025M	593P025M	594P025M	
	15-23 mm	592P032M	593P032M	594P032M	595P032M
	22-32 mm		593P040M	594P040M	595P040M
	34-44 mm			594P050M	595P050M
	35-48 mm				595P063M



ACCESSORIES

(SEE PAGE 238 TO CROSS REFERENCE WITH OLDER PART NUMBERS)

HANDLES




**DN8
Size 2**

**DN1
Size 3**

**DN3
Size 4**

**DN6
Size 5**

POLY HANDLE WITHOUT CABLE GLAND (METRIC THREAD ENTRY)

	M20	512P0M20	513P0M20		
	M25	512P0M25	513P0M25		
	M32	512P0M32	513P0M32	514P0M32	
	M40	512P0M40	513P0M40	514P0M40	515P0M40
	M50			514P0M50	515P0M50
	M63				515P0M63

METAL HANDLE WITHOUT CABLE GLAND (METRIC THREAD ENTRY)

	M20	592P0M20	593P0M20		
	M25	592P0M25	593P0M25	594P0M25	
	M32	592P0M32	593P0M32	594P0M32	595P0M32
	M40		593P0M40	594P0M40	595P0M40
	M50			594P0M50	595P0M50

SLEEVES




**DN8
Size 2**

**DN1
Size 3**


**DN3
Size 4**

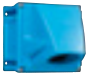
**DN6
Size 5**

POLY SLEEVE

	30°	512M3	513M3	514M3	515M3
	30°	552M3	553M3	554M3	555M3
	70°	512M7	513M7	514M7	
	70°	552M7	553M7	554M7	

METAL SLEEVE

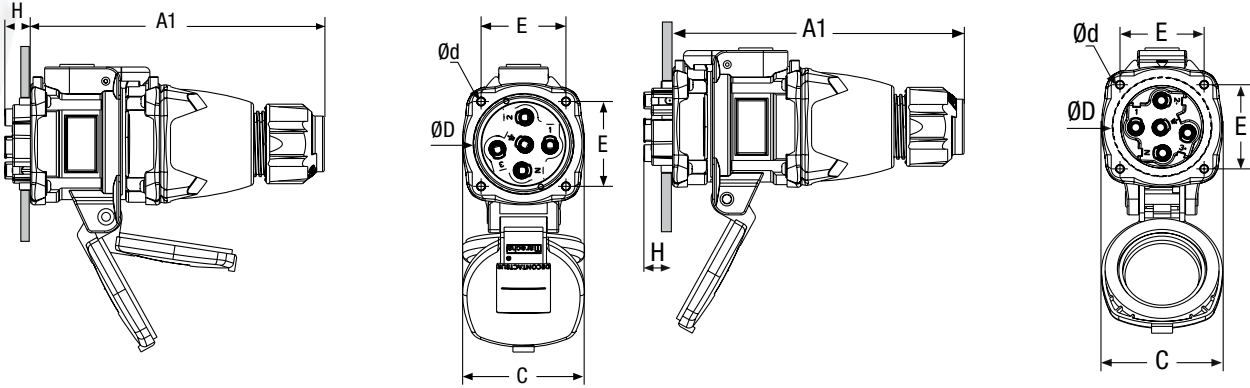
	0°	592M0	593M0	594M0	595M0
	30°	592M3	593M3	594M3	595M3
	70°		593M7	594M7	595M7

BOXES			DNs Size 2	DN1 Size 3	DN3 Size 4	DN6 Size 5
POLY BOX						
	30°	M20	512B3M20			
	30°	M25	512B3M25	513B3M25		
	30°	M32			514B3M32	
	30°	M40			514B3M40	
METAL BOX (+ EARTHING WIRE)						
	20°	M20	592B2M20	593B2M20		
	20°	M25	592B2M25	593B2M25	594B2M25	
	20°	M32		593B2M32	594B2M32	
	20°	M40			594B2M40	
POLY BOX + POLY SLEEVE						
	70°	Without Hole	512C7000	513C7000	514C7000	
	70°	Ø M20	512C7M20			
	70°	Ø M25	512C7M25	513C7M25		
	70°	Ø M32	512C7M32	513C7M32	514C7M32	
	70°	Ø M40	512C7M40	513C7M40	514C7M40	
METAL BOX (+ EARTHING WIRE) + POLY SLEEVE						
	30°	M20	512C3M20	513C3M20		
	30°	M25	512C3M25	513C3M25	514C3M25	
	30°	M32	512C3M32	513C3M32	514C3M32	515C3M32
	30°	M40	512C3M40	513C3M40	514C3M40	515C3M40
	30°	M50			514C3M50	515C3M50
	30°	M63				515C3M63
METAL BOXES WITH METAL SLEEVE (+ EARTHING WIRE)						
	30°	M20	592C3M20	593C3M20		
	30°	M25	592C3M25	593C3M25	594C3M25	
	30°	M32	592C3M32	593C3M32	594C3M32	595C3M32
	30°	M40		593C3M40	594C3M40	595C3M40
	30°	M50			594C3M50	595C3M50
	30°	M63				595C3M63
	0°	M20	592C0M20	593C0M20		
	0°	M25	592C0M25	593C0M25	594C0M25	
	0°	M32	592C0M32	593C0M32	594C0M32	595C0M32
	0°	M40		593C0M40	594C0M40	595C0M40
	0°	M50			594C0M50	595C0M50
	0°	M63				595C0M63
	70°	M20		593C7M20		
	70°	M25		593C7M25	594C7M25	
	70°	M32		593C7M32	594C7M32	595C7M32
	70°	M40		593C7M40	594C7M40	595C7M40
	70°	M50			594C7M50	595C7M50
	70°	M63				595C7M63
METAL BOXES WITH METAL SLEEVE (+ EARTHING WIRE)						
	0°	M50				595E0M50
	30°	M50				595E3M50
	30°	M63				595E3M63
	70°	M50				595E7M50
	70°	M63				595E7M63

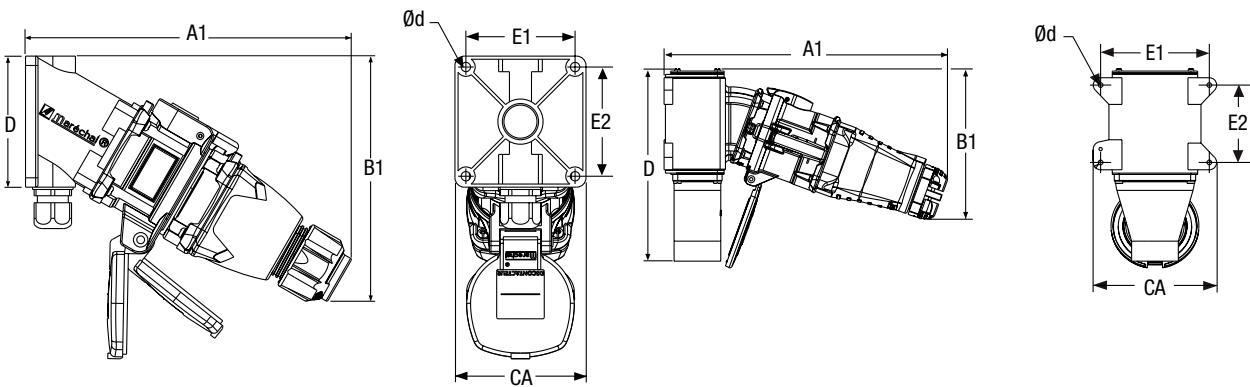


DIMENSIONS

DN8/DN1/DN3/DN6



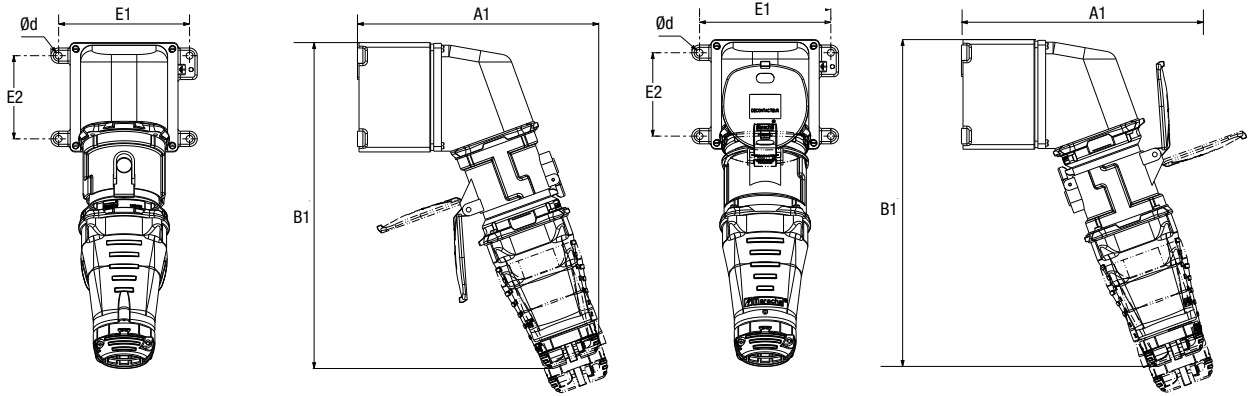
	A1	C	E	H	Ød*
DN8	174	69	48	12	5
DN1	174	81	55	15	5
DN3	212	95	66	22	5,5
DN6	311	118	81	25	6



	A1	B1	CA	D	E1	E2	Ød*
DN8	198	143	76	76	64	64	5,5
DN1	221	160	85	85	72	72	6
DN3	266	190	105	130	89	112	7
DN6	385	216	125	150	105	105	8
DN9	420	226	185	283	163	116	7

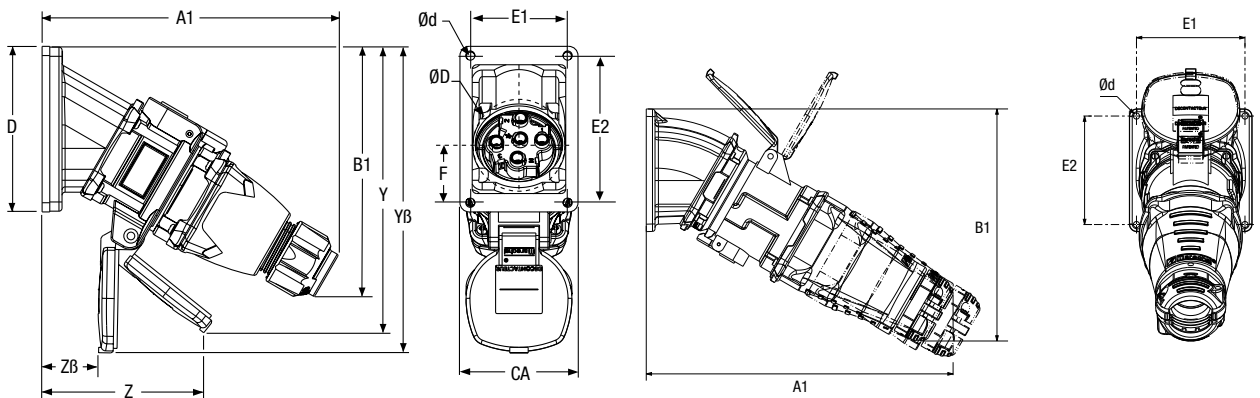
*Ød : maximum drilling diameter.

DN6/DN9



	A2	B2	E1	E2	Ød*
DN1	203	267	110	70	6,5
DN3	239	320	145	97	8,5
DN6	313	423	190	108	9

DN8/DN1/DN3/DN6



	A1	b1	D	E1	E2	Ød*
DN8	189	168	108	63	95	5,5
DN1	104	178	107	63	95	5,5
DN3	242	220	136	87	122	6,5
DN6	350	265	140	124	124	7

*Ød : maximum drilling diameter.