

General Information

5 & 6 Contact

These connectors are universally used in communications equipment where the highest reliability is needed under the most severe environmental conditions. The standard 5-contact connectors meet all requirements of MIL-C-55116, latest revision. 6-contact connectors as well as the light-weight versions are designed to meet all performance requirements of MIL-C-55116. Mating is accomplished quickly with a twist-lock motion. Non-rigid contacts are spring loaded and provide positive electrical connection with minimum voltage drop.

10 Contact

The 10-contact connectors conform to MIL-C-10544, latest revision. Construction and mating action are similar to the 5-contact line. Years of successful field experience have proven the remarkable reliability of this line of connectors for all types of military and commercial communications equipment.

5 & 6 Contact Materials & Finish

Shells	Stainless steel, passivated, sand-blasted.
Panel Nuts	Stainless steel, passivated, sand-blasted.
Contacts	Copper alloy, .000030 gold per MIL-G-45204, Type I, Class 0 over .001 nickel.
Insulators	Diallyl phthalate per MIL-M-14F, Type MDG.

Specifications

Electrical	Dielectric Strength—500 V RMS. Insulation Resistance—1000 Megohms, Min. Contact Resistance (mated)—0.050 Ohms, Max.
Mechanical	Air Pressure—2.5 psi. Immersion—48 hrs. at 6 ft. Durability—3000 cycles, mate and unmate.

10 Contact Materials & Finish

Receptacle Shells	Stainless steel, passivated, sand-blasted.
Plug Shells	Stainless steel, black passivated.
Plug Rear Housing	Aluminum, black oxide.
Panel Nuts	Stainless steel, passivated, sand-blasted.
Contacts	Copper alloy, .000030 gold.
Insulators	Diallyl phthalate per MIL-M-14F, Type MDG.

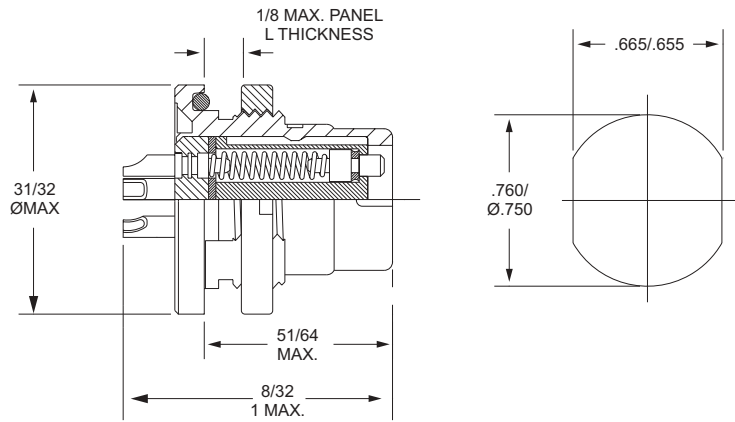
Specifications

Electrical	Dielectric Strength—500 V RMS. Insulation Resistance—1000 Megohms, Min. Contact Resistance (mated)—0.015 Ohms, Max.
Mechanical	Air Pressure—2.5 psi. Immersion—48 hrs. at 6 ft. Durability—3000 cycles, mate and unmate.

5-Contact Standard per MIL-C-55116

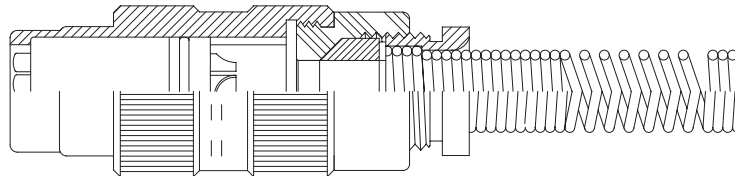
U-183/U RECEPTACLE

Spring loaded contacts, solder terminals, mates with U-229/U, GC 217 & GC 217A. Other pin styles available.



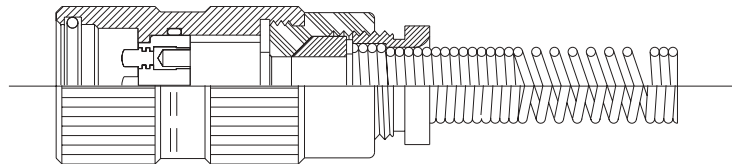
U-228/U PLUG

Spring loaded contacts, barrel pin terminals,* mates with U-229/U, GC 217 & GC 217A.



U-229/U PLUG

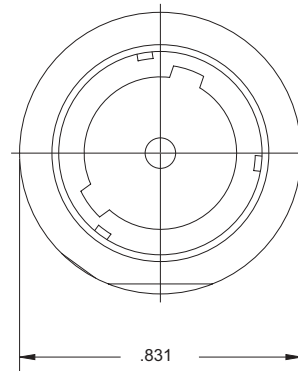
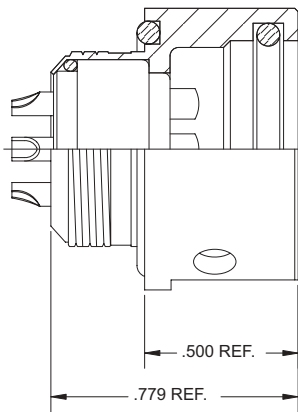
Rigid contacts, barrel pin terminals,* mates with U-183/U, U-228/U & GC183S.



*Solder pin terminals also available.

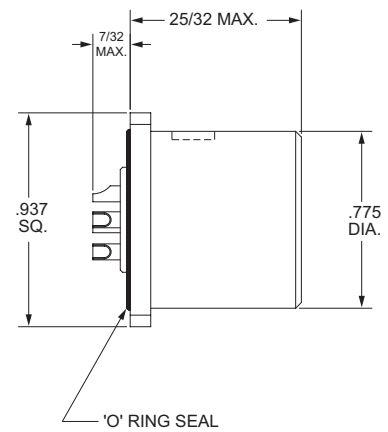
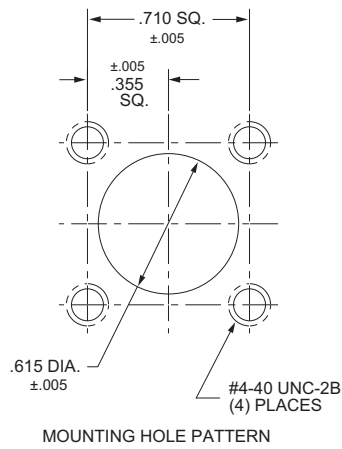
GC429
RECEPTACLE

Rigid contacts, solder terminals, mates with U-183/U, U-228/U & GC183S.



GC629
RECEPTACLE

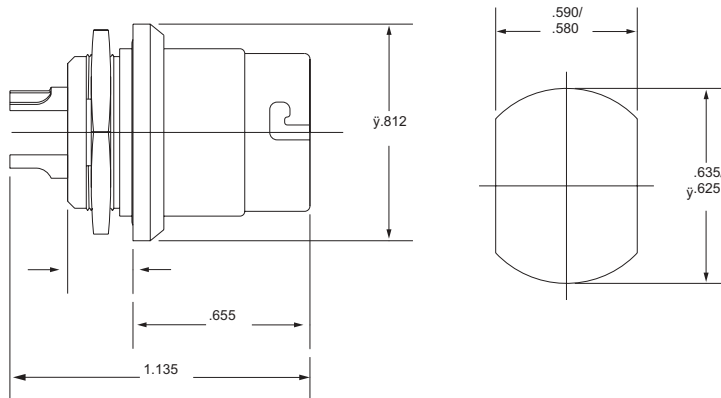
Rigid contacts, solder terminals, mates with U-183/U, U-228/U & GC183S.



5-Contact Lightweight (Conforms to MIL-C-55116)

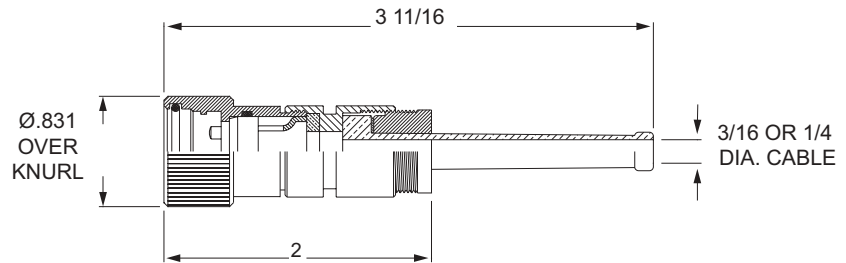
GC183S RECEPTACLE

Spring loaded contacts, solder terminals, mates with U-229/U, GC217 & GC217A. Other pin styles available.



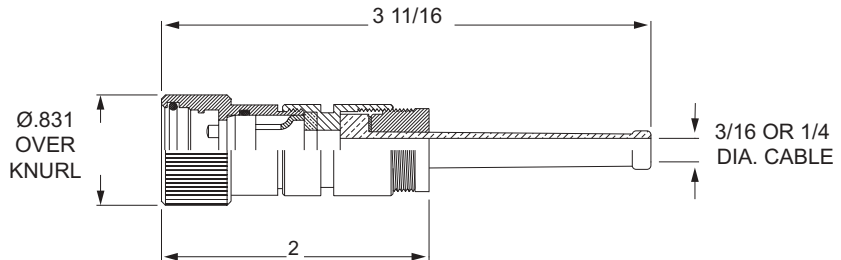
GC217 PLUG

Rigid contacts, solder terminals, mates with U-183/U, U-228/U & GC183S.



GC217A* PLUG

Rigid contacts, solder terminals, mates with U-183/U, U-228/U & GC183S.



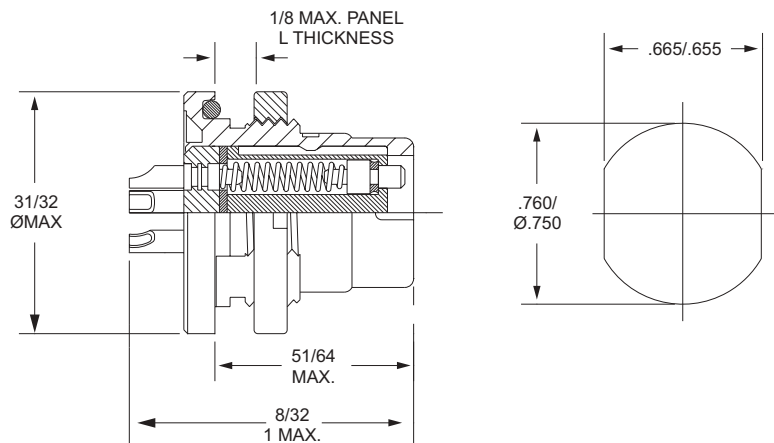
*Shell material is aluminum.

Weight In Ounces			
5-Contact Standard	U-229/U 2.02	GC217 1.20	U-183/U 1.03
5-Contact Lightweight	NA	GC217A 0.81	GC183S 0.72

6-Contact Standard (Conforms to MIL-C-55116)

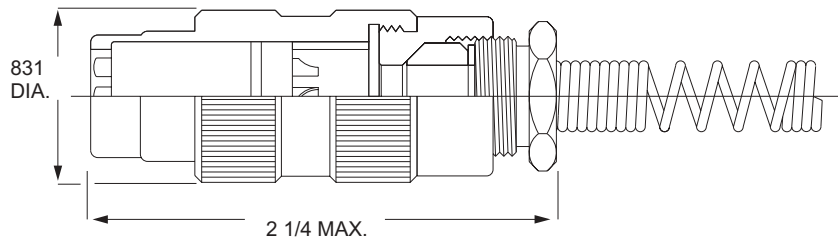
GC283 RECEPTACLE

Spring loaded contacts,
solder terminals, mates
with GC329, GC617
& GC617A.
Other pin styles
available.



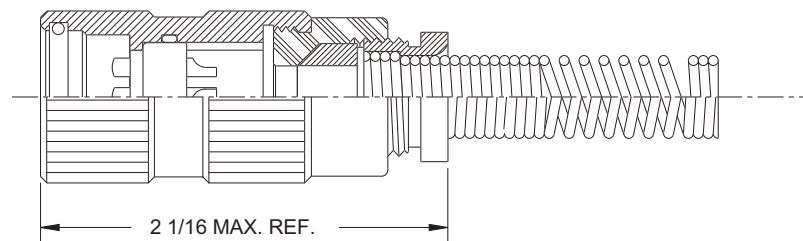
GC328 PLUG

Spring loaded contacts,
solder pin terminals,
mates with GC329,
GC617 & GC617A.



GC329 PLUG

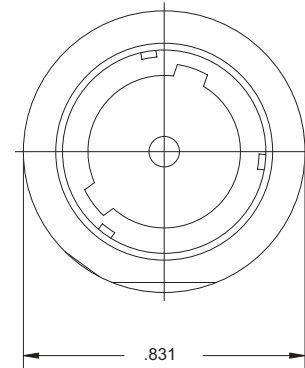
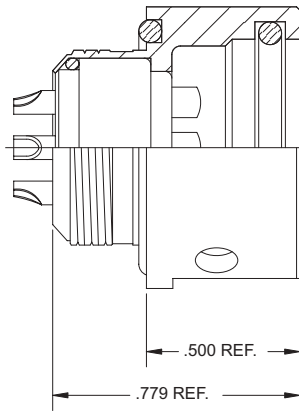
Rigid contacts, barrel pin
terminals,* mates with
GC283, GC328
& GC683S.



*Solder pin terminals
also available.

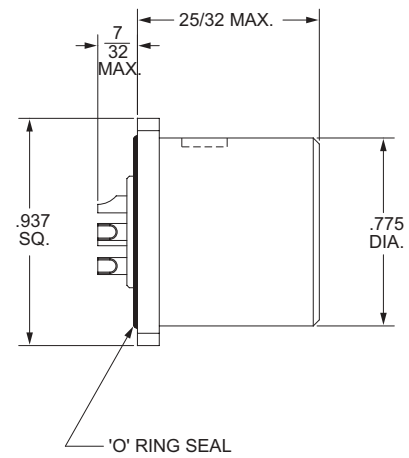
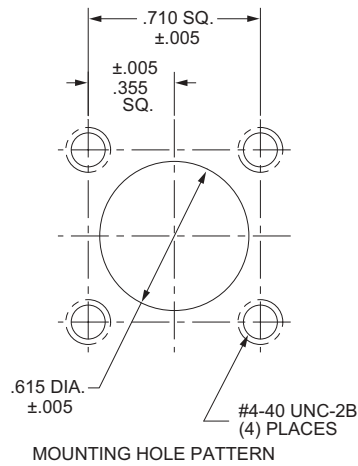
GC529 RECEPTACLE

Rigid contacts, solder terminals, mates with GC283, GC328 & GC683S.
Also available in 5-pin version.



GC729 RECEPTACLE

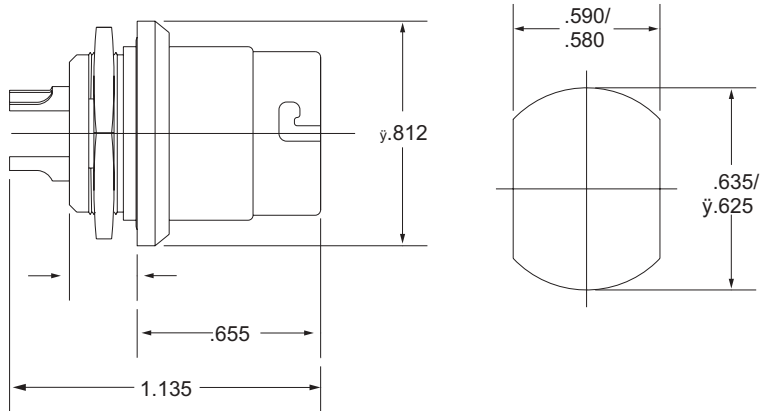
Rigid contacts, solder terminals, mates with GC283, GC328 & GC683S.



6-Contact Lightweight (Conforms to MIL-C-55116)

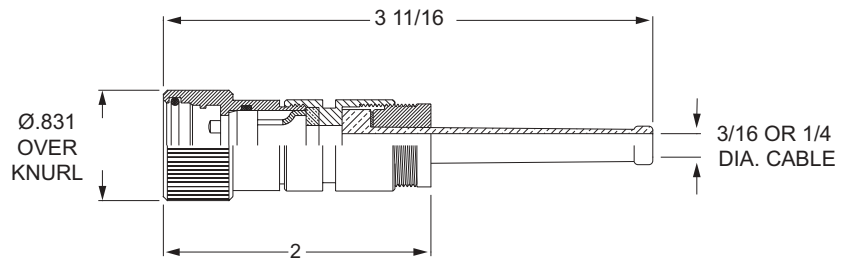
GC683S RECEPTACLE

Spring loaded contacts, solder terminals, mates with GC329, GC617 & GC617A.



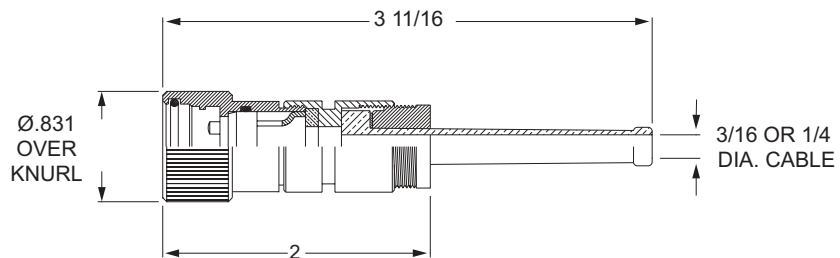
GC617 PLUG

Rigid contacts, solder terminals,* mates with GC283, GC328 & GC683S.



GC617A** PLUG

Rigid contacts, solder terminals,* mates with GC283, GC328 & GC683S.



*Also available with barrel terminals.

**Shell material is aluminum.

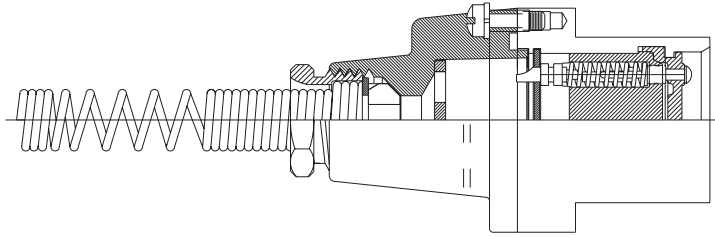
Weight In Ounces			
6-Contact Standard	GC329 2.01	GC617 1.19	GC283 1.04
6-Contact Lightweight	NA	GC617A 0.80	GC683S 0.73

10-Contact Per MIL-C-10544

U-78/U

PLUG

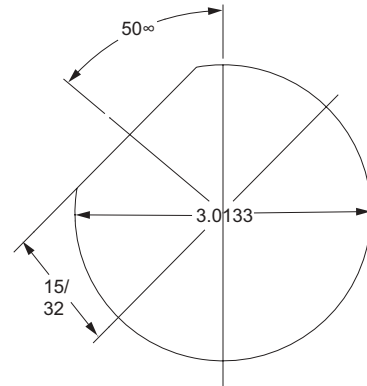
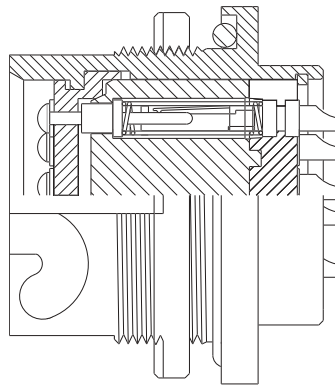
Non-rigid, spring loaded contacts, solder terminals, mates with U-77/U, U-126/U, U-127/U & U-161/U.



U-79/U or GC790

RECEPTACLE

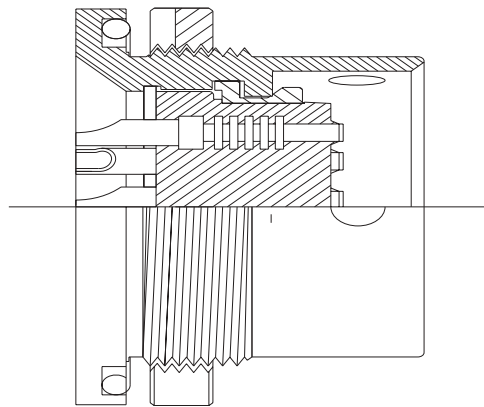
Non-rigid, spring loaded contacts, solder terminals, mates with U-77/U, U-127/U & U-161/U.



U-126/U

RECEPTACLE

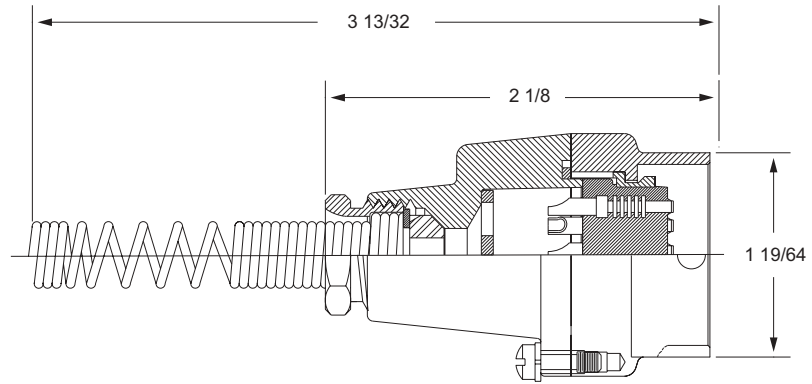
Rigid contacts, solder terminals, mates with U-78/U.



U-77/U

PLUG

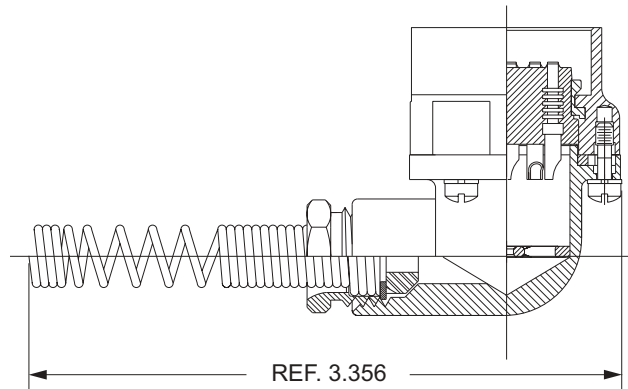
Rigid contacts, solder terminals, mates with U-78/U & U-79/U.



U-127/U

PLUG

Rigid contacts, solder terminals, mates with U-78/U & U-79/U.



U-161/U

PLUG

Rigid contacts, taper pin terminals, mates with U-78/U & U-79/U.

