

MAIN FEATURES

40 A

EVO SEPARABLE SWITCH-DISCONNECTOR



KEY FEATURES

- Up to 6 poles + earth
- Smooth sleek design, no visible fastening screws
- Surface mounting dimension restricted to 120 mm
- IP4X on supply side
- IP66/IP67/IP69 tightness in ON and OFF positions when supply and load parts are connected, including when separated using plug caps
- Visible and distinctly obvious breaking
- Manœuvring speed independent of the operator's applied force
- Padlockable in OFF position

A UNIQUE PRODUCT

EVO40 is a manually operated separable switch-disconnector, with configurations from 2 to 6 poles + Earth.

Compliant with IEC/EN 60947-1 and 60947-3 standards, **EVO40** allows for frequent making and breaking on load, while ensuring safe isolation of any low voltage electrical circuit: resistive (AC-21A), mixed resistive/inductive (AC-22A) or inductive (AC-23A). **EVO40** also allows for on load making & breaking of all electric motors (AC-3), as per IEC/EN 60943-3 standard requirements.

Equipped with self-cleaning silver alloy contact tips and a unique and patented **mechanism**, our new technological concept combines the functionalities of a switch and an isolator.

The design facilitates successive double breaking pole by pole, which ensures optimal safety during any maintenance operation.

EVO FACILITATES THE COMPLIANCE OF:

- electrical machinery to the "Machinery" European Directive on isolating device, and to standards EN 12100 and EN 60204-1,
- electrical installations to installation standards: IEC/HD 60364 and NF C 15-100 (French) or other national transposition.

Once the supply and load parts have been separated, a safety shutter prevents any risk of electric shock (IP4X/IPXXD). The **robust mechanism** allows **distinctly and visibly separated** disconnection and separation even in the event of overload currents.

Thanks to the compact design, **EVO40** can be configured to be panel-mounted or flush-mounted on a wall box with varying angles. Other standard features include: **padlockable** accessory, hidden screws, and a smooth, crevice-free design.

The quality of **EVO40** materials offers flexibility in the most demanding of applications in terms of hygiene, robustness and reliability (IP66/IP67/IP69 and IK09): Halogen-free; UL94-Standard compliant self-extinguishing materials; resistant to hot vapours (tropicalisation as per IEC 60068-2) as well as UVs (class f1), corrosion and chemical agents.

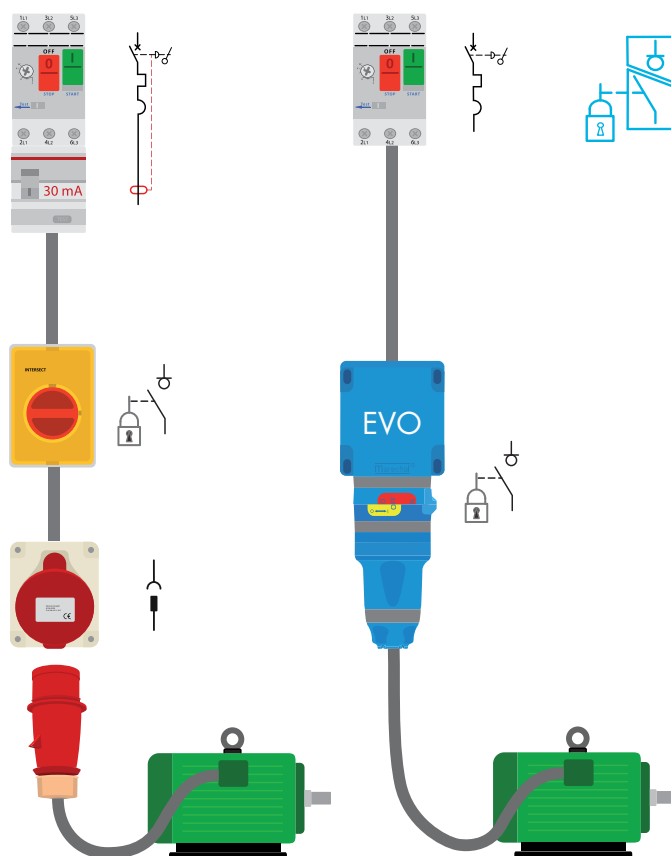
EVO complies with the following standards:

- EC/EN 60947-1/-3/-4/-5 : Low-voltage switchgear and controlgear - Part 3: Switches, disconnectors, switch-disconnectors and fuse-combination units.

EVO is a switch-disconnector with visible and fully apparent breaking. As such, it is not subject to the obligation of a 30 mA residual current device (RCD).

EVO allows:

- continuity of service: no unwanted tripping, no production loss;
- space saving and cost reduction;
- securing and simplifying interventions: for maintenance or replacement of an equipment, EVO can be separated in two parts, by means of a tool, and padlocked. When separated, EVO has an IP4X/IPXXD rating. It is therefore not necessary to use authorized personnel or protection procedures.



Conventional solution

EVO Solution

MAIN FEATURES

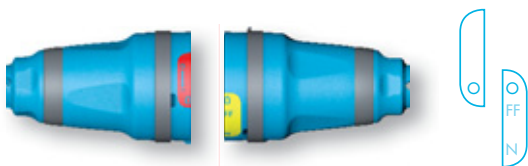
40 A

EVO SEPARABLE SWITCH-DISCONNECTOR

LOAD BREAK ROTARY SWITCH

- Simple operation
- Waterproof in ON and OFF positions

SEPARATED POSITION



POSITION 00

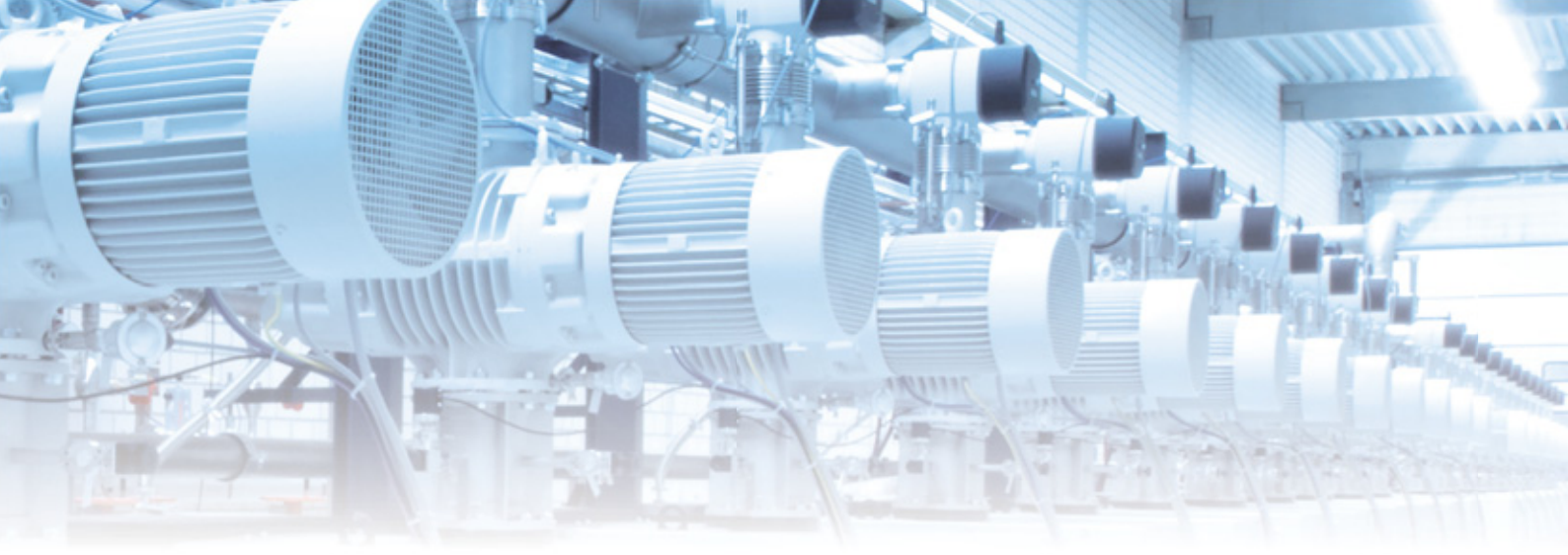


POSITION OFF



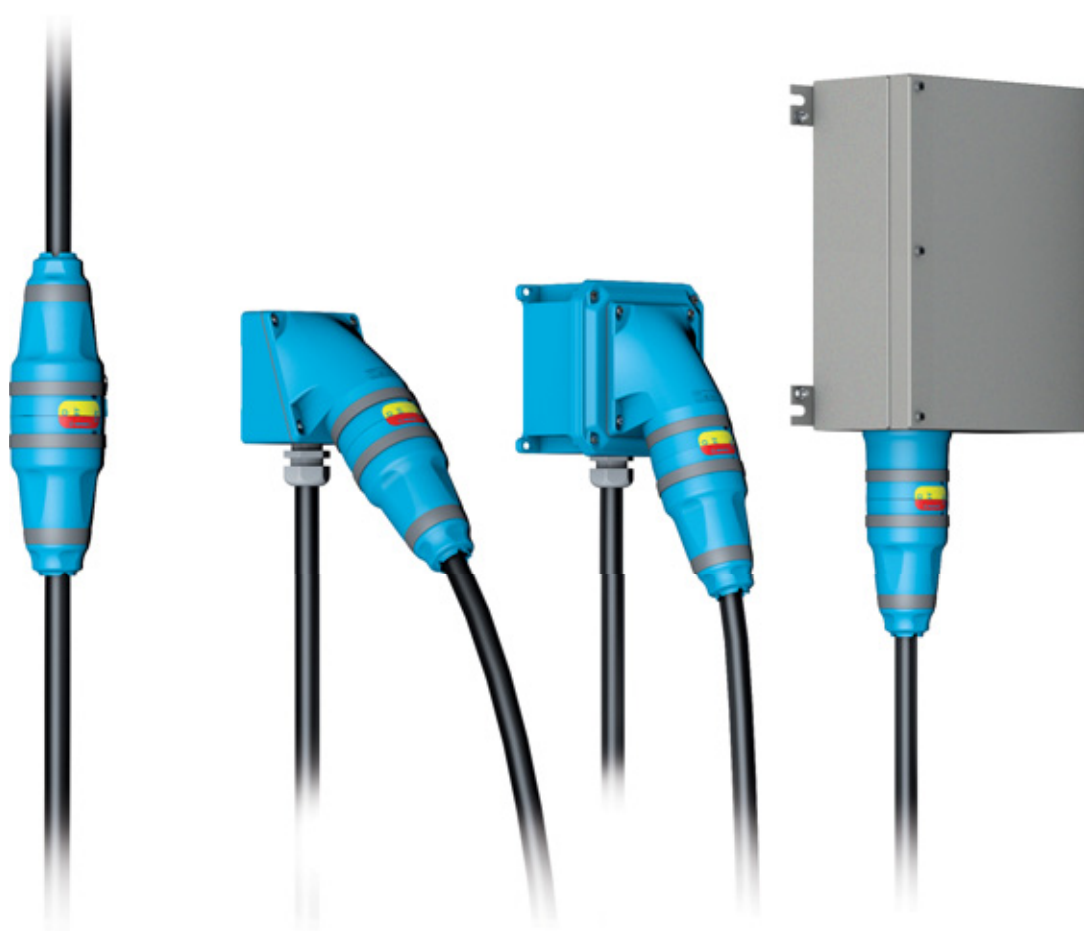
POSITION ON





POSSIBLE INSTALLATIONS

- Inclined sleeve or wall box
- Inclined sleeve on box
- Straight sleeve under box
- Coupler



6 POLES

18,5 kW

690 V
U_{MAXI}

SEPARABLE SWITCH-DISCONNECTOR EVO40



IP66
IP67/IP69



2,5-10 mm² (1)
2,5-16 mm² (2)



GRP



IK09



-25 °C
+60 °C



See table 60947-1/-3/-4/-5



IEC/EN

(1) Flexible wiring [min.-max.].
(2) Stranded wiring [min.-max.].



A padlock key is provided with each source

SWITCHING CAPACITY

| kW/V | 230 V | 400 V | 690 V |
|-----------------|--------|---------|---------|
| AC-21 A/AC-22 A | 40 A | 40 A | 40 A |
| AC-23 A | 11 kW | 18,5 kW | 18,5 kW |
| AC-3 | 7,5 kW | 11 kW | 11 kW |


OTHER FEATURES

| | |
|---|----------------|
| Electrical Load cycles | 15 000 cycles* |
| U _i : Rated insulation voltage | 1 000 V AC |
| U _{max} : Operational voltage | 690 V |
| I _{the} : Conventional enclosed thermal current | 40 A |
| U _{imp} : Rated impulse withstand voltage | 8 kV |
| I _{cc} : Rated short-circuit breaking current capacity with gG fuses and aM fuse | 100 kA |
| I _{cm} : Rated short-circuit making current capacity | 1 kA |

* In AC-23A 690 V AC/40 A service operation.

REFERENCES



| Voltage | Poles | Supply | Load | Straight sleeve | 70° inclined sleeve | Handle ⁽¹⁾ | 90° wall box ⁽²⁾ |
|-------------------------------------|----------|----------|---|-----------------|---------------------|-----------------------|-----------------------------|
| 200-250 V AC | 2P+E | 8144032 | 8148032 | 51LM0 | 51LM7 | 51LP0D21 | 51LC9000 |
| | 3P+E | 8144033 | 8148033 | | | | |
| | 4P+E | 8144034 | 8148034 | | | | |
| | 6P+E | 8144036 | 8148036 | | | | |
| 380-480 V AC | 2P+E | 8144012 | 8148012 | 51LM0 | 51LM7 | 51LP0D21 | 51LC9000 |
| | 3P+E | 8144013 | 8148013 | | | | |
| | 4P+E | 8144014 | 8148014 | | | | |
| | 6P+E | 8144016 | 8148016 | | | | |
| 500-690 V AC | 2P+E | 8144052 | 8148052 | 51LM0 | 51LM7 | 51LP0D21 | 51LC9000 |
| | 3P+E | 8144053 | 8148053 | | | | |
| | 4P+E | 8144054 | 8148054 | | | | |
| | 6P+E | 8144056 | 8148056 | | | | |
| Umax 690 V AC | 2P+E | 8144122 | 8148122 | 51LM0 | 51LM7 | 51LP0D21 | 51LC9000 |
| | 3P+E | 8144123 | 8148123 | | | | |
| | 4P+E | 8144124 | 8148124 | | | | |
| | 6P+E | 8144126 | 8148126 | | | | |
| Load side cap IP66/IP67 padlockable | Included | 814A426G |  | | | | |

(1) Gland size 5-21 mm.

(2) Without drilling, top entry. Reversible wall box for 50° angle with bottom entry.

ADDITIONAL PADLOCKING KEYS



Packaging = 10

814A541

SAFETY HASP FOR UP TO 6 PADLOCKS



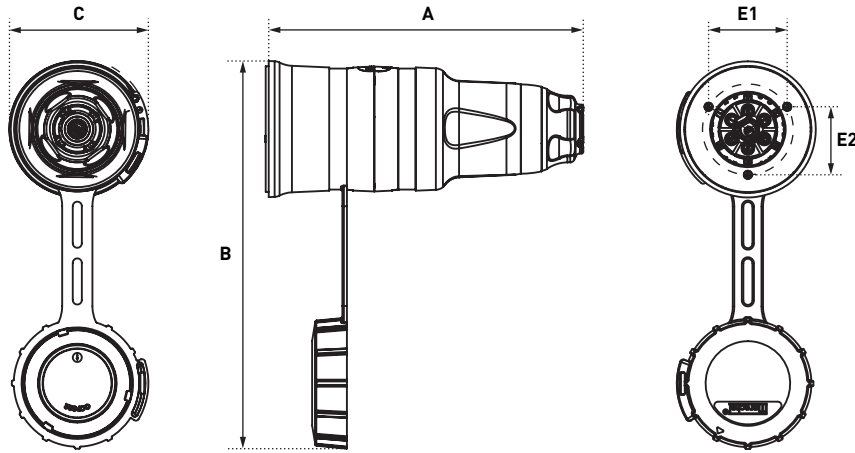
613A541



DRAWINGS AND DIMENSIONS

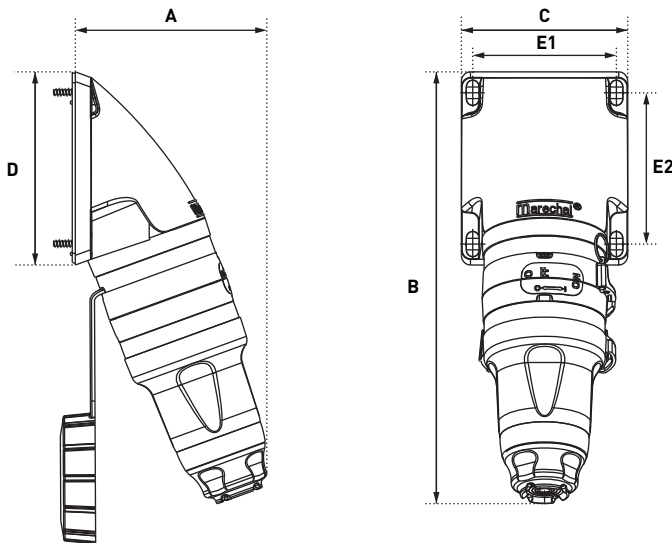
Dimensions are in millimeters.

STRAIGHT SLEEVE



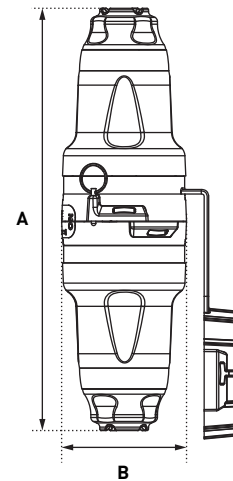
| A | B | C | E1 | E2 |
|-----|-----|----|----|----|
| 209 | 256 | 94 | 52 | 45 |

INCLINED SLEEVE 70°



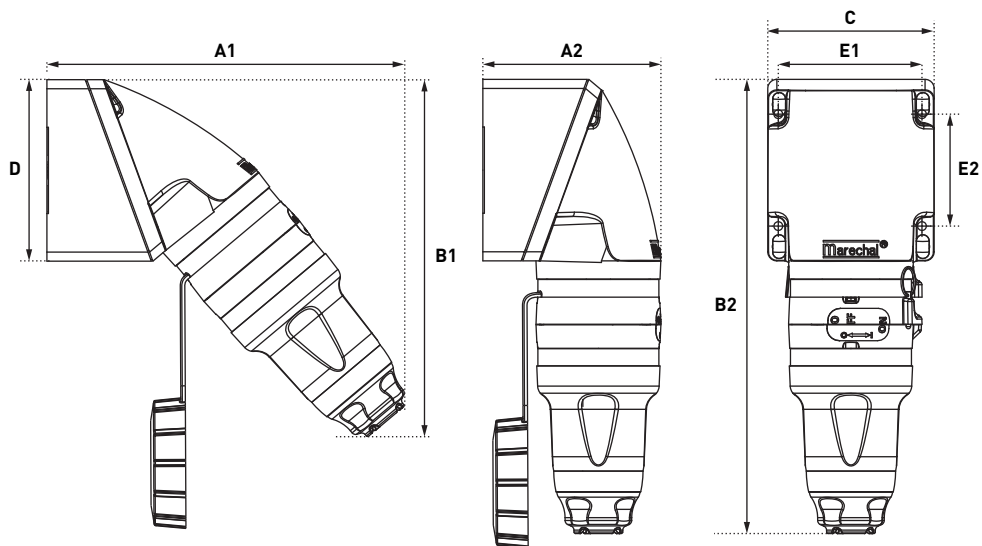
| A | B | C | D | E1 | E2 |
|-----|-----|-----|-----|----|-----|
| 127 | 286 | 110 | 128 | 95 | 100 |

ON FLEXIBLE CABLE



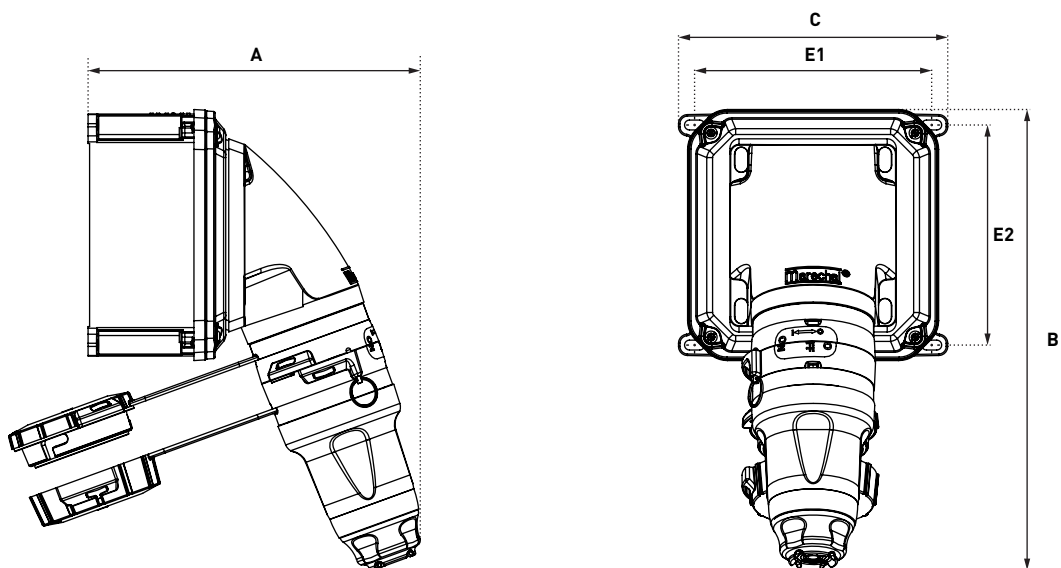
| A | B |
|-----|----|
| 279 | 81 |

REVERSIBLE WALL BOX 50° AND 90°



| A1 | A2 | B1 | B2 | C | D | E1 | E2 |
|-----|-----|-----|-----|-----|-----|----|----|
| 236 | 118 | 236 | 301 | 110 | 120 | 95 | 74 |

MANCHON 70° SUR BOITIER B2



| A | B | C | E1 | E2 |
|-----|-----|-----|-----|-------|
| 220 | 305 | 178 | 157 | 145,5 |