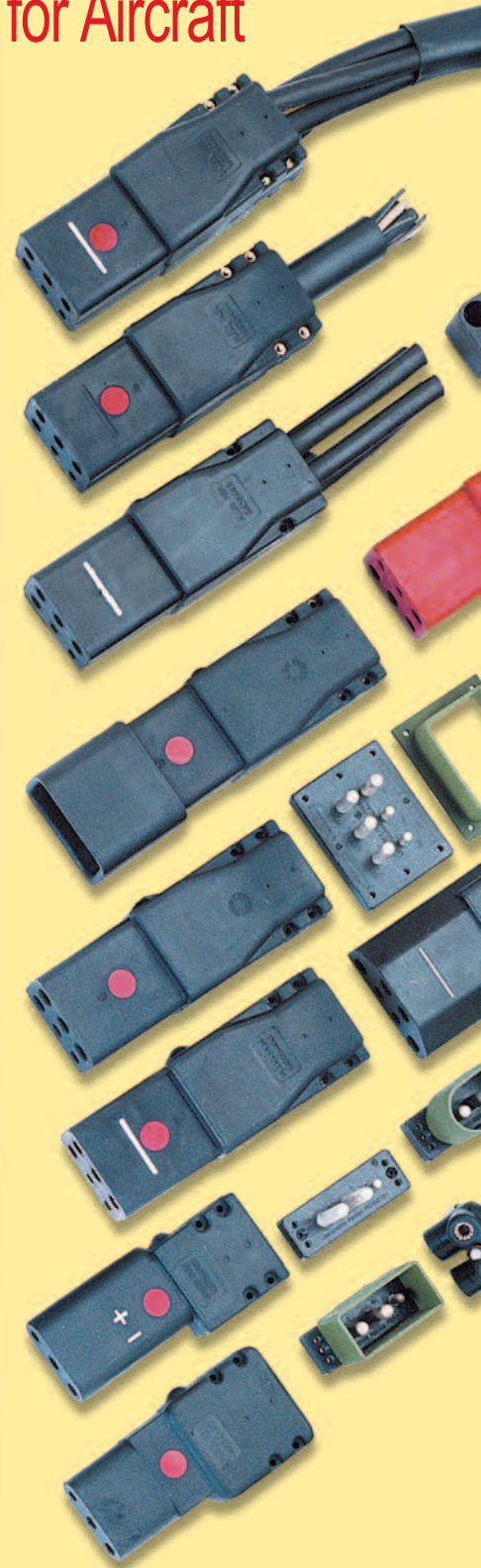


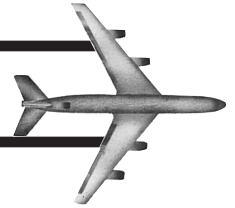
Anderson Airmotive

Your Power Connection

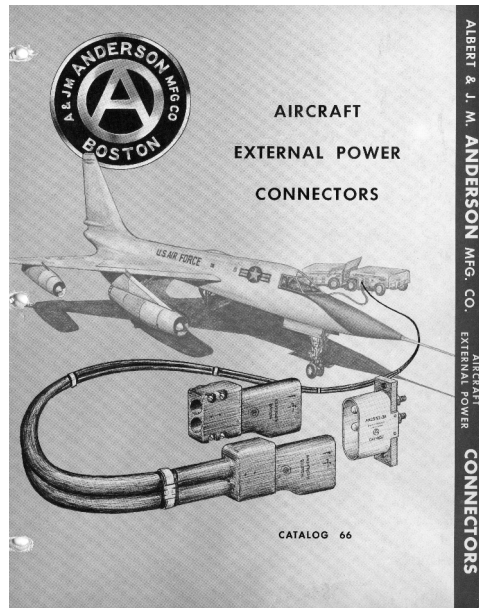
Ground Power & Battery Connectors for Aircraft



THE ANDERSON FAMILY LEGACY



The name Anderson is known as an innovative leader in the Ground Power industry with over 60 years of experience in product design and manufacturing.

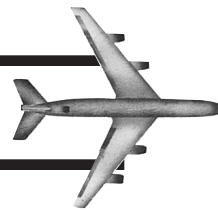


One of the first industry catalogues for Aircraft External Ground Power Connectors about early 1950's.

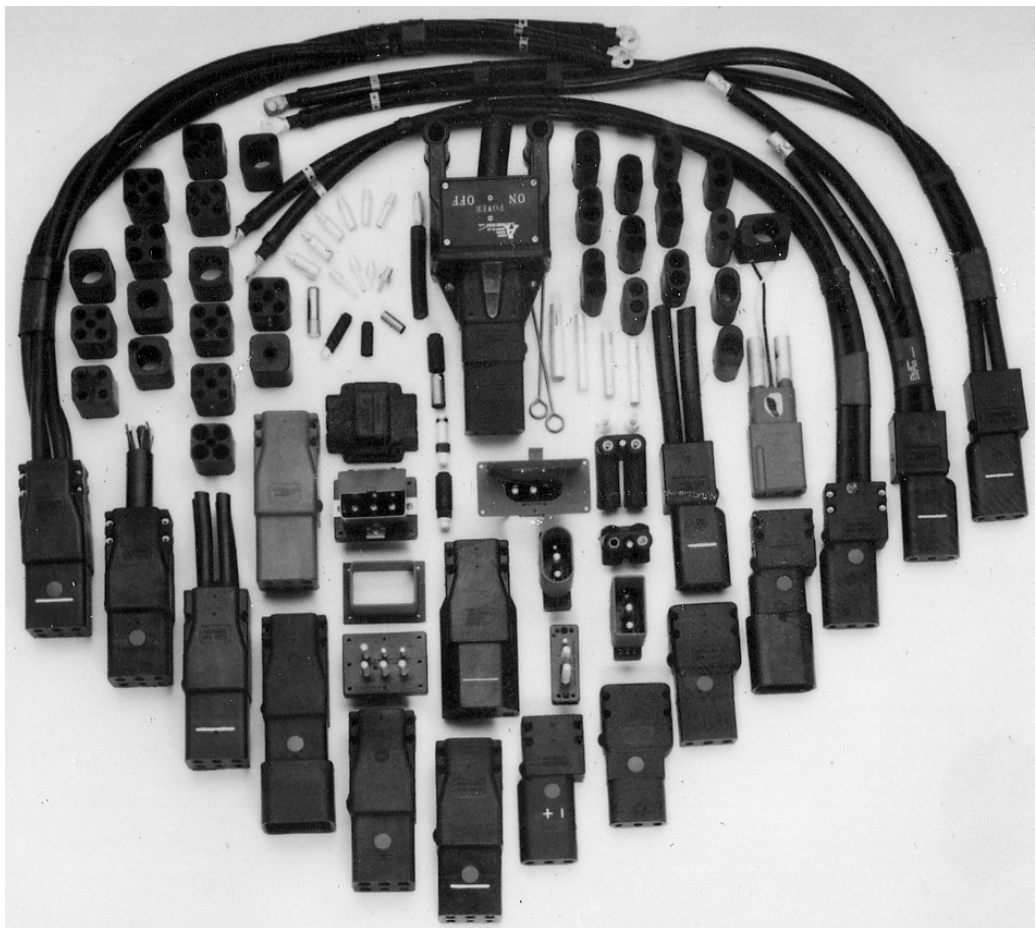
INDEX

| | | | |
|--|---------|--|------------|
| ANDERSON FAMILY LEGACY, INDEX | Page 1 | 28V DC 3 POLE 3 Wire Assemblies, R71 | Page 15 |
| ANDERSON FAMILY NOW | | 28V DC WEAR NOSE R800 Cable Assembly | Page 16 |
| SAVE TIME AND MONEY | Page 2 | 110/200V AC 6 POLE Cable Assemblies, R67 | Page 17 |
| ANDERSON ATTACHABLE® FAMILY | | 100/200V DC Wear Nose R900 Cable Assembly | Page 18 |
| PRODUCT OVERVIEW | Page 3 | 80 VDC FAST CHARGE | |
| QPL TEST FOR PLUGS AND CABLE | | R270 - 2 POWER LEADS AND 4 AUXILIARIES..... | Page 19 |
| ASSEMBLIES | Page 4 | R80 2 POWER, 1 NEUTRAL AND 6 AUXILIARIES | Page 19 |
| BASIC ASSEMBLY PROCEDURE | Page 5 | RAMP POWER 240/460V..... | Page 20 |
| GUIDE TO MILITARY STANDARDS | Page 5 | ANDERSON RECEPTACLE FAMILY | |
| DC ATTACHABLE® 3-POLE 28 VDC | | RECEPTACLE FAMILY PICTURE..... | Page 21 |
| 2 WIRE R65, R68 | Page 6 | 3 POLE 28VDC RECEPTACLE | Page 22 |
| 3 WIRE R64, R71, R72, R78 | Page 7 | 6 POLE 110 / 200V AC RECEPTACLE..... | Page 23 |
| 4,5,6 WIRES R767, R771, SENSING, SWITCH | Page 8 | 80VDC FAST CHARGE, 270V RECEPTACLE | Page 24 |
| AC ATTACHABLE® 6-POLE 115/200 V | | ATTACHABLE HANDLE AC | Page 25 |
| R67, R112 | Page 9 | HANDLE AND STRAIN RELIEF DC | Page 26 |
| ATTACHABLE® POWER NOSE: | | BATTERY CONNECTOR 125/600V DC | Page 27-28 |
| RUBBER BODY | | AC/DCQB QUICK BREAK AWAY | Page 29 |
| AC R90 110/200 V | Page 10 | ACCESSORIES | |
| DC R93 28V DC | Page 10 | LUG SET, CRIMP TOOL, ROTATING HEX DIE HAND | |
| ATTACHABLE® POWER NOSE: CLAMSHELL BODY | | CRIMPER AND HEX DIE CRIMPER | Page 30 |
| AC R91 110/200 V W/SWITCHES, LED OPTIONS | Page 11 | Environmental End Caps, Strain Relief DC Cable Assemblies, | |
| DC R92 28VDC W/SWITCHES, LED OPTIONS | Page 11 | Test Pins, Scuff Covers, Splice Kits | Page 31 |
| AC ATTACHABLE® 6 POLE 230/400V | | Replacement Noses, Cable Options, Single Jacket Balanced | |
| R129, R130 | Page 12 | Composite Cable Assembly Kit, Strap Hanger..... | Page 32 |
| ANDERSON FAMILY CABLE ASSEMBLIES | | SPECIALS | Page 33 |
| ATTACHABLE® AND OVER MOLDED FAMILY | | AWG to Metric Conversion Chart | Page 34 |
| PICTURE..... | Page 13 | See our Website www.andersonairmotive.com for latest updates. | |
| 28V DC 3 POLE 2 Wire Cable Assemblies, R65 | Page 14 | | |

THE ANDERSON FAMILY NOW



SAVE TIME AND MONEY WITH ANDERSON AIRMOTIVE – YOUR GREEN CHOICE.



Anderson Airmotive continues the tradition of design and manufacturing excellence by producing and offering the largest selection of qualified plugs, cable assemblies and receptacles covering all commercial and military requirements for 28VDC, 270VDC, 80VDC, 200VAC, and 400VAC.

Our family of Attachable® plugs are designed to be simple to assemble in the field, durable and cost effective with many options for safety and protection.

Our family of rugged receptacles offers you a choice of male or female design.

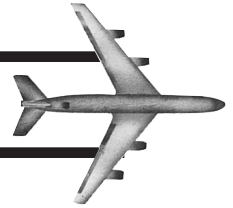
Our family of power cables is unequalled in the industry. Anderson Airmotive is the only company to offer you a choice of: (1) making/repairing your own ground power cables with our family of high quality and durable Attachable® plugs, or (2) buying a wide variety of new cable assemblies with either Attachable® or Overmolded heads, from the factory.

The “Green” contribution: With the earth’s resources being consumed at ever increasing rates, it makes more sense than ever to repair your own ground power cable assemblies, in the field, with our service proven Attachable® plugs. This simple operation will not only keep your ground service running, but will eliminate costs associated with packaging, shipping and waste removal. When you choose Anderson, you choose responsibility to the planet, as well.

* Qualified Product List by US military; German and Canadian Authorities.

® Attachable is an Anderson Airmotive Trademark

The Attachable® FAMILY OF PRODUCTS



THE ANDERSON AIRMOTIVE ADVANTAGE

ANDERSON AIRMOTIVE is the only manufacturer with a complete line of QPL'd (MIL-C-7974D) Attachable® Plugs, as well as over molded AC and DC power connectors and cable assemblies. The connectors and assemblies have passed the stringent US and Canadian QPL tests. In addition Anderson is approved to German Standard VG 85211 and meets ISO461-1 and ISO461-2.

THE ATTACHABLE® PLUG FAMILY INCLUDES:

THE GRABBER CONTACT® PLUG / Portable Receptacle

The "standard" for over 10 years. The service proven Grabber Contact Attachable® plug has **watertight**, (IP068) molded-in contacts that are finger proof (UL1977) (EN1175) (VL1950) with extra safety insulation. The plug has been designed to assure consistent contact even on worn pins and under heavy loads commonly encountered on the ramp.

Listed on QPL for AS7974D

Order R67GxxE AC Plug
R65GxxE DC Plug
R112GxxE AC Portable Receptacle
R68GxxE DC Portable Receptacle
R64 GxxE DC Plug
R71G xxE DC Plug
R72G xxE DC Plug
R78GxxE DC Portable Receptacle

THE ATTACHABLE POWER NOSE® PLUG

The Attachable Power Nose® (APN) is designed to be the **quickest assembly** and **lowest overall service** cost in the industry. The modular construction allows easy replacement of worn components (contacts, nose, back end) for extended service life and quick repair. The body and nose are molded from Anderson's highly abrasion resistant proprietary Hypalon® rubber.

Order R90GxxE(w) AC Plug
R93GxxE(w) DC Plug

THE ATTACHABLE POWER NOSE® WITH SWITCHES, LEDs

The newest Attachable Power Nose® (APN) for Composite or single conductors has integral O-ring seals that eliminate the need for potting. The super tough clam shells have high impact strength and great wear resistance. Waterproof switches and LEDs are available.

Order R91GxxE(y)(z)(w) AC Plug
R92GxxE(y)(z)(w) DC Plug

THE 4 OR 6 WIRE DC PLUGS

These plugs are designed to accommodate two wires per leg with optional sensing leads and switches. The plugs allow extra long cable assemblies at high current without excess voltage drop. Optional crimp lugs make assembly easier.

Order R765GxxE(w)(v) Plug
R771GxxE(w)(v) Plug
R768GxxE (w)(v) Portable Receptacle
R778GxxE (w)(v) Portable Receptacle

THE REPLACEABLE CONTACT PLUG

The original Attachable® with **replaceable** contacts has been in service for twenty five plus years. It is designed so that worn power contacts can be replaced.

Order R67GxxB AC Plug
R65GxxB DC Plug

270 DC PLUG

Plugs are designed for 270V DC applications in Attachable® and overmolded versions.

Order R270GxxE

80V FAST CHARGE: B1B 230/400V AC

Plugs are designed for 80V DC fast charge application. B1B Military Plug for 230/400V application.

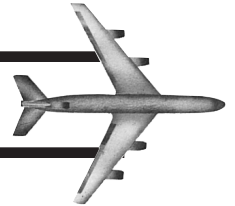
Order R80GxxE
R69GxxE
R129GxxE

All plugs are available with sensing leads or switches that allow power-up only when 80-90% engaged. All of our connectors are made from high quality, proprietary synthetic elastomer rubber, that is specially formulated for excellent chemical and abrasion resistance. Each connector has heavy silver plated tellurium copper contacts with quad beams and engineered steel springs that assure consistent contact for thousands of cycles.

xx denotes cable size/configuration ®Attachable is a registered trademark of Anderson Airmotive Products Co., Inc.

W-denotes sensing options Z-LED options Y-switch options V-lug options

PLUG and Cable Assembly QPL Tests



QUALIFICATION TESTS TO MIL-C-7974D for Ground Power Plugs and Cable Assemblies; 400 Hz AC, 28V DC

A, B. Dimensions and Examination of product

Measure all dimensions as per print for MS25486 AC; MS 25488 DC

C. Structural Integrity

Remove 1/8 inch of plug nose sides and perform all tests. This test checks performance of plug after considerable wear as in actual use.

D. Initial Mating forces

Measure mating forces with 2 sets of receptacles (MS90362); one set +.001 from nominal; one set -.001 from nominal. Insertion must be less than 100 lbs and extraction force of 60-100 lbs for AC; insertion 50 lbs and extraction of 30-50 lbs for DC. Force measured at 8 inches per minute.

E. Mating forces after fluid immersion

One sample is immersed in hydraulic oil and one sample is immersed in jet fuel for 20 hours. Mating forces must meet values as in C. No dimensional changes shall be evident.

F. Force measurement for individual contacts

Individual power contacts shall measure 24 lbs maximum insertion (A,B,C,N), extraction 16-24 lbs.; auxiliary contacts shall measure 21lbs max. (E,F).

G. Impact after low temperature exposure

Plugs shall be cooled to -55C for 24 hours. An impact force of 20 ftlbs shall be applied to each side 3 times. No damage is allowed.

H. Mating at low temperature

Plugs shall be cooled to -55C for 24 hours and then engaging as in D. The values shall not exceed 150% of nominal values.

I. Life flexing

A plug is mated with a standard receptacle 1/4 inch from full mating. The assembly is then flexed with 20lbs force in a reciprocating mechanism for 10,000 cycles at 10 cycles per minute. The plug shall pass all tests.

J. Dielectric strength after humidity exposure

Plugs shall be maintained in a humidity chamber cycled 10 times as per MIL-STD-202. All samples must pass a test potential of 2000VDC with current leakage of less than 1.0 milliamperes.

K. Voltage drop following salt spray

Plugs shall be subjected to a 5% salt spray test for 48 hours as per MIL-STD-202. The maximum voltage drop at 300 Amps shall be 45 millivolts after 5 minutes.

L. Mating forces after current overload

Plugs shall be tested with a current overload of 700 Amps for 2/0 (7/0mm) and 1000 Amps for 4/0 (120mm) for 3 minutes. There shall be no shorting, loss of continuity, burning, rupture or other damage preventing completion of test.

M. Cable attachment to plug

A cable assembly shall be tested with a pull force on each conductor of 100 lbs. No damage shall result from this test.

N. Cable attachment to lug terminals

Items shall be tested in a tensile tester where each 70 mm conductor shall have a tensile strength of at least 750 lbs pull out force.

O. Plug static strength

Plugs are mounted on a flat surface and a force 1000 lbs is applied. No damage shall result and plugs shall pass all tests.

P. Plug bending strength

Plugs are mated with a receptacle and mounted horizontally with a weight of 64 pounds suspended at the midpoint of the plug for 5 minutes on each side of the plug. For DC plugs the weight is reduced to 32 lbs. The plug shall pass insertion, extraction after this test and show no damage.

Q. Band tensile strength

A cable assembly shall be heated to 71°C for 6 hours then a force of 300 lbs shall be applied to pull apart the cable bands. There shall be no tearing of bands and shifting of more than 1 inch.

R. Misengagement

The plug is rotated 180° and a mating force of 150 lbs is applied. No electrical contact shall occur with the auxiliary contacts.

S. Abrasion resistance

The plug body material shall have an abrasion resistance of at least 75% of the standard reference compound per ASTM D1630-83.

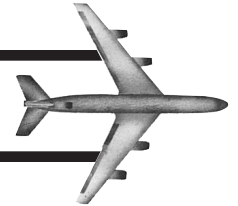
T. Cable attachment to crimp barrel

As per test M, N

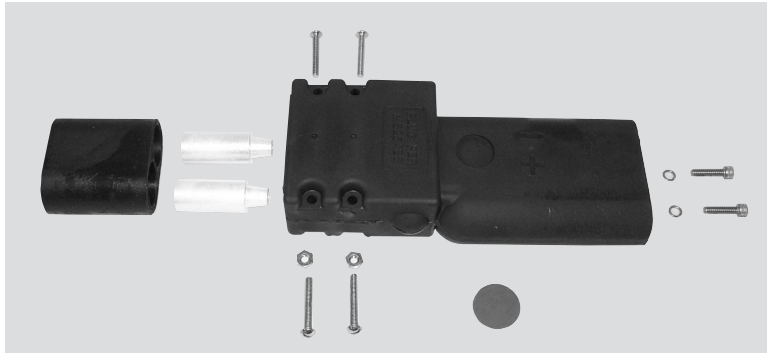
U. Ozone resistance

A plug is heat aged at 70°C for 70 hours and then at ambient for four days. The plug shall then be ozone tested as per ASTM D1149 at 38°C for 168 hours at 50 parts ozone per hundred million parts air. No cracks shall be visible under seven power magnification after test.

BASIC PLUG ASSEMBLY PROCEDURE



GUIDE TO MILITARY PLUG STANDARDS



R65 WITH COMPONENTS

Repair Ground Power Cable Assemblies . . . Or Make New Ones.

A full line of ATTACHABLE® Plugs, Receptacles and accessories now available from ANDERSON makes it possible for you to have an adequate supply of cable assemblies on hand at all times.

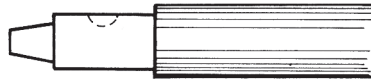
- Reduces inventory cost and space problems.
- Keeps all ground power units operational without prolonged tie-ups waiting for new cable assemblies
- More positive, longer lasting connections.
- No messy rubber potting or vulcanizing.
- Qualified and approved for use under all appropriate military specifications for both replacement plug and new cable assemblies.
- Environmentally friendly

Assembly Procedure Illustrated



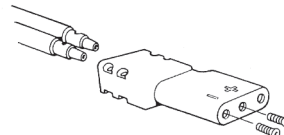
STEP 1

Prepare cables in accordance with Instruction Card included with each unit packaging.



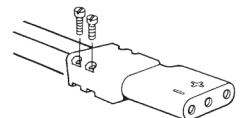
STEP 2

Crimp or solder lugs to cables**



STEP 3

Assemble cables to plug.



STEP 4

Secure plug to cable jackets.

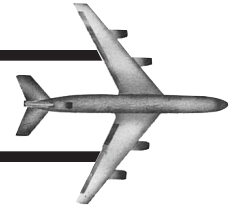
Guide to Military Standards for Attachable or Overmolded Cable Assemblies

| ANDERSON CATALOG NUMBER | MS NUMBER ATTACHABLE PLUG | FOR CABLE ASSEMBLY MS NUMBER | FORMER CABLE ASSEMBLY NUMBER |
|-------------------------|---------------------------|--|-------------------------------------|
| R65G1E | MS25488-25 | AS(MS)90347-7, -8, -9, -10, -11, -12 | MS25488-6, -7, -8, -9, -10, -11 |
| R65G2E | MS25488-26 | AS(MS)90347-13, -14, -15, -16, -17, -18 | MS25488-12, -13, -14, -15, -16, -17 |
| R65G3E | MS25488-27 | AS(MS)90347-19, -20, -21, -22, -23, -24 | MS25488-18, -19, -20, -21, -22, -23 |
| *R65G7E | — | AS(MS)24121-1 | MS24121-1 |
| R67G4E | MS25486-16 | AS(MS)90328-13, -14, -15, -16, -17, -18 | MS25486-4, -5, -6, -7, -8, -9 |
| R67G5E | MS25486-30 | AS(MS)90328-25, -26, -27, -28, -29, -30 | MS25486-18, -19, -20, -21, -22, -23 |
| *R67G12E | — | AS(MS)24208-1 | MS24208-1 |
| R67G21E | MS25486-17 | AS(MS)90328-19, -20, -21, -22, -23, -24 | MS25486-10, -11, -12, -13, -14, -15 |
| R67G36E | MS25486-31 | AS(MS)90328-31, -32, -33, -34, -35, -36 | MS25486-24, -25, -26, -27, -28, -29 |
| R68GxxE | — | (Mating Unit for CAT. R65) | (Mating Unit for CAT. R65) |
| R71G6E | MS25487-10 | AS(MS)25019-20, -30, -40, -60, -80, -100 | MS25487-3, -4, -5, -6, -7, -8 |
| R112GxxE | — | (Mating Unit for CAT. R67) | (Mating Unit for CAT. R67) |

*2 Heads Required for Cable Assembly.

**Recommended crimp tool is the Anderson Electric VC-7 crimp tool. Consult factory for further information.

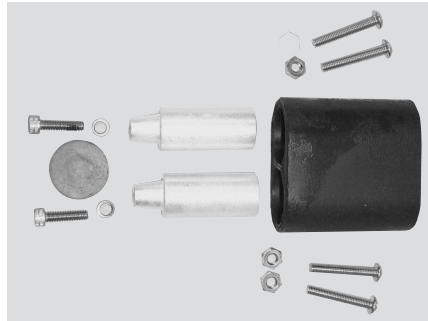
DC PLUGS ATTACHABLE® 3-POLE



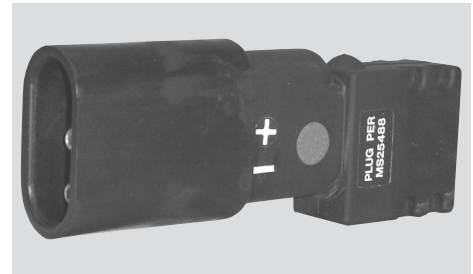
Attachable® Portable Plugs and Receptacles, 3 Pole. R65 and R68 Series 28VDC



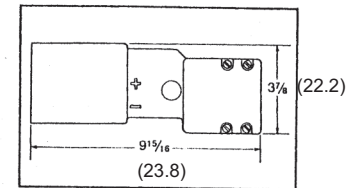
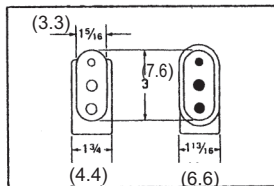
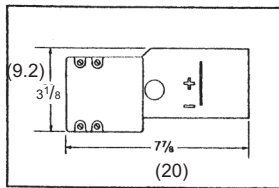
R65 PORTABLE PLUG



R65 GROMMET "G" KIT



R68 PORTABLE Receptacle



The ATTACHABLE® Portable Plugs and Receptacles are molded of a proprietary synthetic elastomer, a compound specially selected for its resistance to moisture and chemicals as well as its ability to stand up under severe wear and tear. Power contacts are of machined copper, silver-plated to reduce contact

resistance. Contact lugs may be either crimped or soldered to cables. The R65 and R68 series are manufactured to MS25488 specifications and are listed on Qualified Product List (QPL) for MIL-C-7974D. Portable receptacles are particularly useful where a portable connection is required or for extending existing

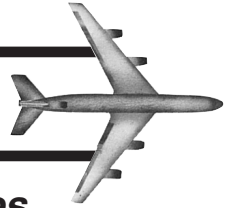
3-Pole DC 28V Attachable® Plugs-2 wire

| COMPLETE PLUG NO. | MILITARY PART NO. | BODY ONLY PART NO. | CABLE ACCOMMODATION | GROMMET KIT NO. | PORT RECEPTACLE PART NO. | Schematic |
|-------------------|-------------------|--------------------|---|-----------------|--------------------------|-----------|
| R65G1E | MS25488-25 | 110368G2E | 2-1/0(50mm) MIL-C-5756C Single Conductor | 112080G1 | R68G1E | |
| R65G2E | MS25488-26 | 110368G2E | 2-2/0(70mm) MIL-C-5756C Single Conductor | 112080G2 | R68G2E | |
| R65G3E | MS25488-27 | 110368G2E | 2-4/0(120mm) MIL-C-5756C Single Conductor | 112080G3 | R68G3E | |
| R65G6E | | 110368G2E | 2-4/0(120mm) Oval Twin Conductor | 112080G6 | R68G6E | |
| R65G8E | | 110368G2E | 2-1/0(35mm) Welding Single Conductor | 112080G8 | R68G8E | |
| R65G10E | | 110368G2E | 2-4/0(120mm) Welding Single Conductor | 112080G10 | R68G10E | |
| R65G20E | | 110368G2E | 2-2/0(70mm) Welding Single Conductor | 112080G20 | R68G20E | |
| R65G25E | | 110368G2E | 2-3/0 (90mm) welding Single Conductor | 112080G25 | R68G25E | |
| R65G43E | | 110368G2E | #8/2 (8mm) welding Single Jacket | 112080G43 | R68G43E | |

Electrical Ratings: 30°C rise Power Components, 450A Continuous 1500A for 1 minute, Control Components, 35A continuous

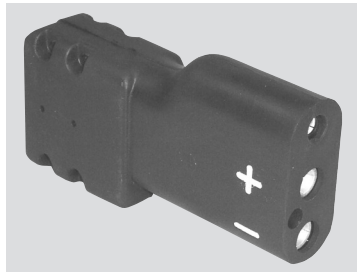
Other models available for different cable sizes and configurations

DC PLUGS ATTACHABLE® 3-POLE

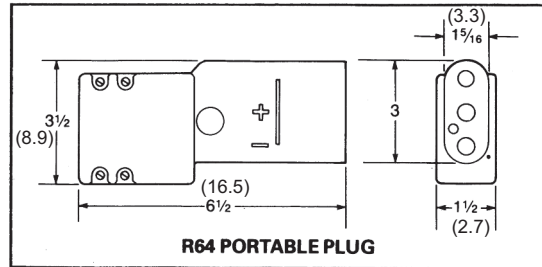


Attachable® Portable Plugs and Receptacles, R64 and R71 Series

The R64 Series are manufactured with MS25488 components but have a more compact design for smaller wires.



R64 PORTABLE PLUG



R64 PORTABLE PLUG

ORDERING INFORMATION

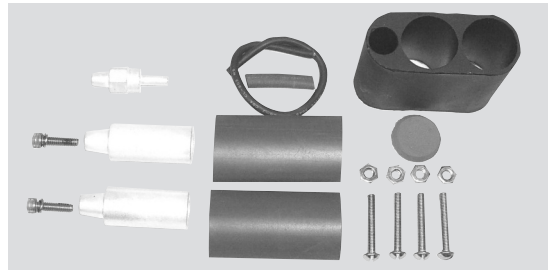
| Catalog No. Portable Plug | Cable Accommodation (All MIL-C-5756 Type Cables) | Schematic |
|---------------------------|--|-----------|
| R64G1B | Two #2/0 (70mm) and One #12 (3mm) Conductors Under Single Oval Sheath | |
| R64G2B | Two #4/0 (120mm) and One #12 (3mm) Conductors Under Single Oval Sheath | |
| R64G3B | Two #1/0 (50mm) and One #12 (3mm) Conductors Under Single Oval Sheath | |
| R64G3E | Two #1/0 (50mm) Welding Cable Single Conductor | |
| R64G10E | Two #1/0 (50mm) Welding Single Conductors | |
| R64G12E | Two #16 (1.5mm) Welding Cable Single Conductors | |

3-Pole DC 28V Attachable® Plugs-3 wire; Rect/Oval Nose; Split Control Sensing

The 71 Series are manufactured to MS25487 specifications.



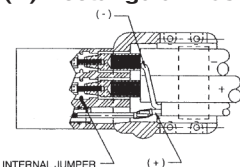
R71 PORTABLE PLUG (R) Rectangular Nose



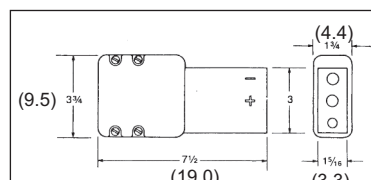
DC GROMMET KIT FOR R71



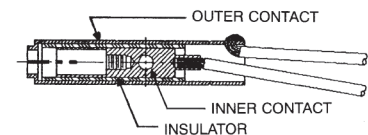
R71 PORTABLE PLUG (O) Oval Nose



SENSING LEAD SCHEMATIC R72



R71 PORTABLE PLUG "R"

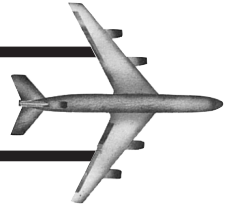


SENSING LEAD 2 WIRE

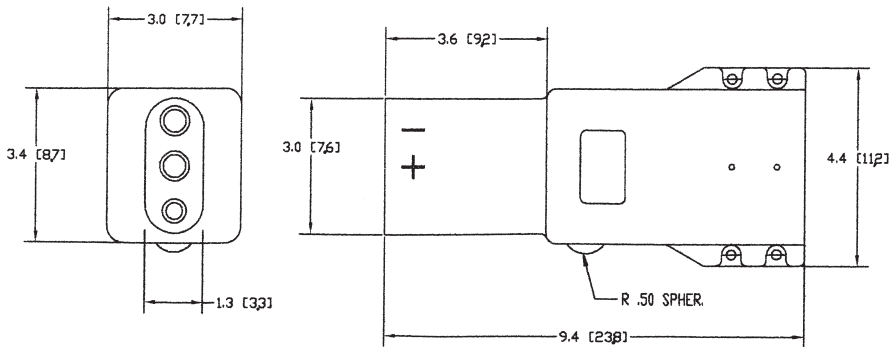
| Complete Plug No. | Nose R-Rect | Military Part No. | Body Only Part No. | Cable Accommodation | Portable Recept# | Grommet Kit No. | Split Control | Split Schematic |
|-------------------|-------------|-------------------|--------------------|---|------------------|-----------------|---------------|-----------------|
| R71G3E | R | | 110371G2E | 2-4/0 (120mm) TWIN OVAL; #8/1(8mm) AUX. | R78 | 112085G3 | NO | |
| R71G4E | R | | 113071G2E | 2-4/0 (120mm) TWIN OVAL; #10/1(5mm) AUX. | R78 | 112085G4 | NO | |
| R71G5E | O | | 113071G2E | 2-4/0 (120mm) Mil-C-5756C Single Conductor; #8/1 (8mm) | R78 | 112085G5 | NO | |
| R71G6E | R | MS25487-10 | 113071G2E | 2-4/0 (120mm) Mil-C-5756C Single Conductor; #8/1 (8mm) Aux. | R78 | 112085G6 | NO | |
| R71G9E | O | | 113071G2E | 2-2/0 (70mm) Welding Single Conductor, #12/2 (2x3mm) Aux. | R78 | 112085G9 | NO | |
| R71G11E | O | | 113071G2E | 2-2/0 (70mm) Welding Single Conductor, #12/2 (2x3mm) Aux. | R78 | 112085G11 | NO | |
| R71G15E | R | | 113071G2E | 2-2/0 (70mm) Mil-C-5756C Single Conductor;; #8/1 (8mm) Aux. | R78 | 112085G15 | NO | |
| R72G5E | O | | 113072G2E | 2-4/0 (120mm) Mil-C-5756C Single Conductor; #8/1 (8mm)Aux. with split control, sensing lead lead (1 wire) | N/A | 112085G5 | YES | |
| R71G5E2S | O | | 113072G2E | 2-4/0 (120mm) Mil-C-5756C Single Conductor; #8/1 (8mm)Aux. with split control, sensing lead lead (2 wire) | N/A | 112085G5 | YES | |

Other Models available for different cable sizes and configurations

DC PLUGS ATTACHABLE® 3-POLE



Attachable® Portable Plugs and Receptacles, 3 Pole, 4, 5, 6 wire. R765 and R771 Series 28 VDC



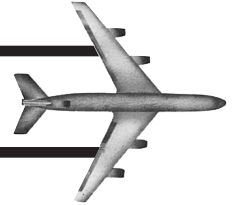
3-Pole DC 28V Attachable® Plugs-4,5,6 wire; Split Control Sensing

| Complete Plug No. | Configuration | Body Only Part no. | Cable Accomodation | Grommet Kit No. | Split Control | Portable Receptacle | Schematic |
|-------------------|---------------|--------------------|--|-----------------|---------------|---------------------|-----------|
| R765G1E (V) | 4-wire | 110381G2E | 4-1/0 (50mm) Mil-C-5756C Single Conductors | 112085G1 | NO | R768G1E | |
| R765G2E (V) | 4-wire | 110381G2E | 4-2/0 (70mm) Mil-C-5756C Single Conductors | 112085G2 | NO | R768G2E | |
| R765G3E (V) | 4-wire | 110381G2E | 4-4/0 (120mm) Mil-C-5756C Single Conductors | 112085G3 | NO | R768G3E | |
| R771G1E (V) | 5-wire | 110382G2E | 4-1/0 (50mm) Mil-C-5756C Single Conductors; #8(8mm)/1 Aux. | 112087G1 | NO | R778G1E | |
| R771G2E (V) | 5-wire | 110382G2E | 4-2/0 (70mm) Mil-C-5756C Single Conductors; #8(8mm)/1 Aux. | 112087G2 | NO | R778G2E | |
| R771G3E (V) | 5-wire | 110382G2E | 4-4/0 (120mm) Mil-C-5756C Single Conductors; #8(8mm)/1 Aux. | 112087G3 | NO | R778G3E | |
| R771G30E (V) | 5-wire | 113082G2E | 4-70mm Single Conductors; #12/2(2x3mm) Aux. | 112087G30 | NO | R778G30E | |
| R771G1E(W)(V) | 6-wire | 113083G2E | 4-1/0 (50mm) Mil-C-5756C Single Conductors; #16/2 (2x1.3mm) Sensing Aux. | 112087G1 | YES | | |
| R771G2E(W)(V) | 6-wire | 113083G2E | 4-2/0 (70mm) Single Conductors; #16/2 (2x1.3mm) Sensing | 112087G2 | YES | | |

Other Models available for different cable sizes and configurations

- W= sensing options V= lug options
- S1= one wire 1= solder lugs
- S2= two wire 2= crimp lugs
- SW= sensing switch
- SWA= sensing switch and auxiliary

AC PLUG ATTACHABLE® 6-POLE

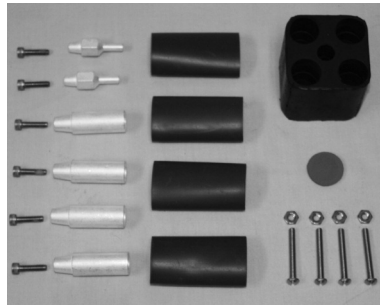
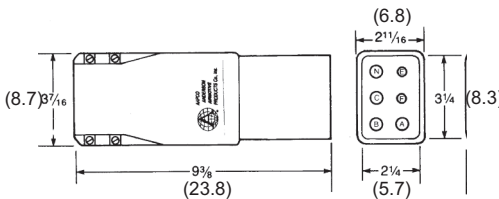


AC 115/200 VOLTS 400 Hz

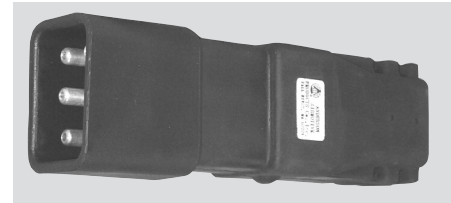
Attachable® Portable Plugs and Receptacles, 6 Pole, R67 and R112 Series



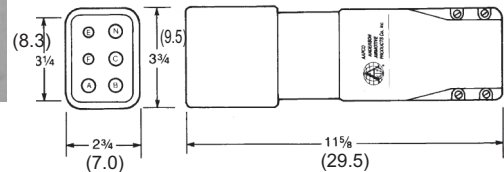
R67 PORTABLE PLUG



R67 GROMMET "G" KIT



R112 PORTABLE RECEPTACLE



The ATTACHABLE® Portable Plugs and Receptacles are molded of Anderson Synthetic Elastomer*, a proprietary compound specially selected for its resistance to moisture and chemicals as well as its ability to stand up under severe wear and tear. Power contacts are silver-plated over machined copper to reduce contact resistance. Contact lugs may be either crimped or soldered to cables. The ATTACHABLE® Plugs and Receptacles are manufactured to MS25486 specifications and are listed on Qualified Product List (QPL) for MIL-C-7974. (AS 7974)

The R67 series plugs mate with either the R112 series of Portable Receptacles or with the fixed receptacles. Portable Receptacles are particularly useful where a portable connection is required or for extending existing cable assemblies.

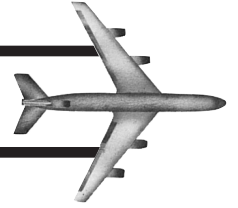
Six-pole ATTACHABLE Portable Plugs and Receptacles may be furnished in many combinations of power and control contacts, cable sizes and internal wiring arrangements.

6-Pole AC 115/200V 400Hz Attachable® Plugs

| Complete Plug No. | Military Part No. | Body Only Part no. | Cable Accomodation | Grommet Kit No. | Portable Receptacle Part No. |
|-------------------|-------------------|--------------------|---|-----------------|------------------------------|
| R67G4E | MS25486-16 | 110369G4E | 4-1/0 (50mm) Mil-C-5756C Single Conductor | 112081G4 | R112G4E |
| R67G5E | MS25486-30 | 110369G4E | 4-1/0 (50mm) Mil-C-5756C Single Conductor; 12/2 (2x3mm)Aux. | 112081G5 | R112G5E |
| R67G7E | | 110369G4E | 4-2/0 (70mm) Welding Single Conductor | 112081G7 | R112G7E |
| R67G12E | | 110369G4E | 4-#4 (20mm) Welding Single Conductor; 12/2 (2x3mm)Aux. | 112081G12 | R112G12E |
| R67G16E | | 110369G4E | 4-#6 (13mm) Welding Single Conductor; 12/2 (2x3mm)Aux. | 112081G16 | R112G16E |
| R67G18E | | 110382G4E | 4-#2 (34mm) Welding Multiconductor | 112081G18 | R112G18E |
| R67G20E | | 110369G4E | 4-2/0 (70mm) Welding Single Conductor; 12/2 (2x3mm)Aux. | 112081G20 | R112G20E |
| R67G21E | MS25486-17 | 110369G4E | 4-2/0 (70mm) Mil-C-5756C Single Conductor | 112081G21 | R112G21E |
| R67G26E | | 110369G4E | 3-#3 (27mm) 1#5 (17mm) CVSF Multiconductor | 112081G26 | R112G26E |
| R67G36E | MS25486-31 | 110369G4E | 4-2/0 (70mm) Mil-C-5756C Single Conductor; 12/2 (2x3mm)Aux. | 112081G36 | R112G36E |
| R67G56E | | 110369G4E | 4-1/0 (50mm) Welding Single Conductor; 12/2 (2x3mm)Aux. | 112081G56 | R112G56E |
| R67G82E | | 110369G4E | 4-1/0 (50mm) Single Conductor; (2x2.5mm) Aux. | 112081G82 | R112G82E |
| R67G91E | | 110369G4E | 3-1/0 (50mm) 3-#6 (13mm) Command Multiconductor | 112081G91 | R112G91E |
| R67G100E | Voltage Sensing | 110369GE | 4-2/0 (70mm) : 12/5 (5x3mm) Aux. | 112081G100 | R112G100E |
| R67G103E | | 110369G4E | 6-#4 (20mm) 1-1/0 (50mm) 6x1 Composite | 112081G101 | R112G101E |

Other Models available for different cable sizes and configurations
 ©Attachable is a Registered Trademark of Anderson Airmotive

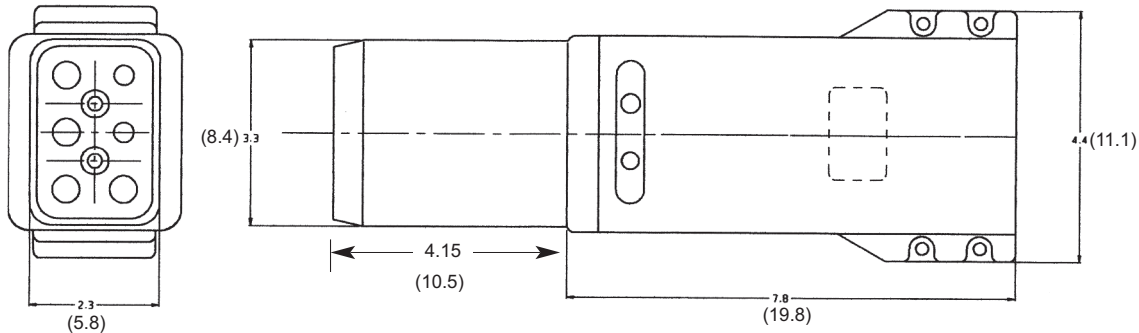
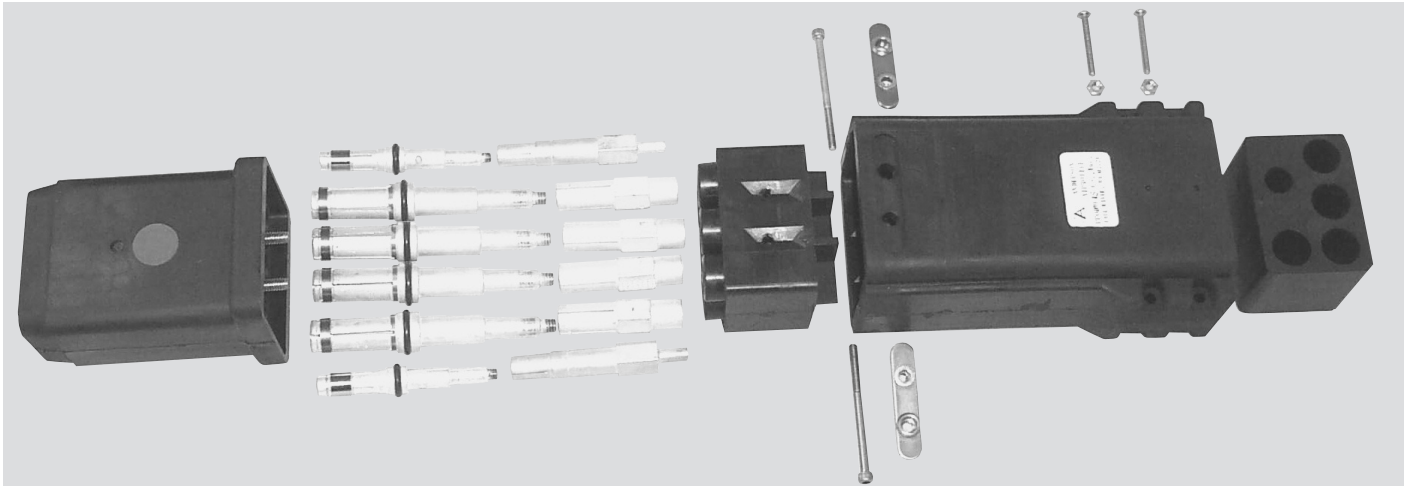
AC PLUG ATTACHABLE® POWER NOSE 6-POLE DC PLUG ATTACHABLE® POWER NOSE 3-POLE



Attachable Power Nose® (APN) R90: Rubber

The Attachable® Power Nose is designed to be the quickest assembly and lowest overall service ground power connector. The modular construction allows easy replacement of worn components (contacts, nose, back end) for extended service life and quick

repair. The body and nose are molded from the proprietary synthetic elastomer known for its excellent abrasion resistance. Suitable for composite cables as well as single conductors.



6-Pole 115/200V 400Hz Attachable® Power Nose (APN) R90

| Complete Plug No. | Replacement Nose only | Cable Accommodation | Replacement Contact Kit |
|-------------------|-----------------------|--|----------------------------------|
| R90G5E | R90KIT 1 | 4-1/0 (50mm) MIL-C-5756C Single Conductors; #12/2 (2x3mm) Aux. | R90 Kit 2 Power R90 Kit 3 Aux |
| R90G36E | R90KIT 1 | 4-2/0 (70mm) MIL-C-5756C Single Conductors; #12/2 (2x3mm) Aux. | |
| R90G101E | R90KIT 1 | 6 #4 (20mm), 1-1/0 (50mm) Multiconductor; 6X1 Single Jacket | |
| R90G118E | R90KIT 1 | 4-70mm Single Conductors; #12/2 (2x3mm) Aux | |
| | R90KIT1SW | Replacement Nose with Microswitch | |

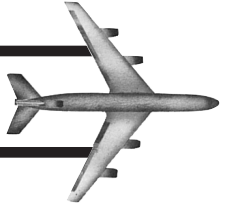
3-Pole 28V DC Attachable® Power Nose (APN) R93

| Complete Plug No. | Replacement Nose only | Cable Accommodation | Replacement Contact Kit |
|-------------------|-----------------------|---|----------------------------------|
| R93G3E | R93KIT 1 | 2-4/0 (120mm) MIL-C-5756C Single Conductors | R93 Kit 2 Power R93 Kit 3 Aux |
| | R93KIT#1SW | Replacement Nose with Microswitch | |



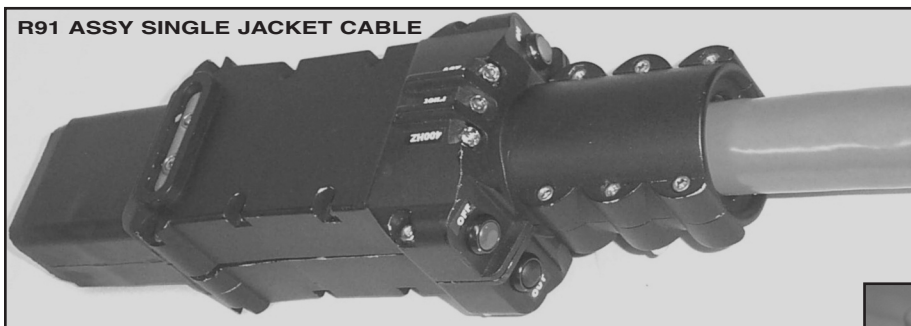
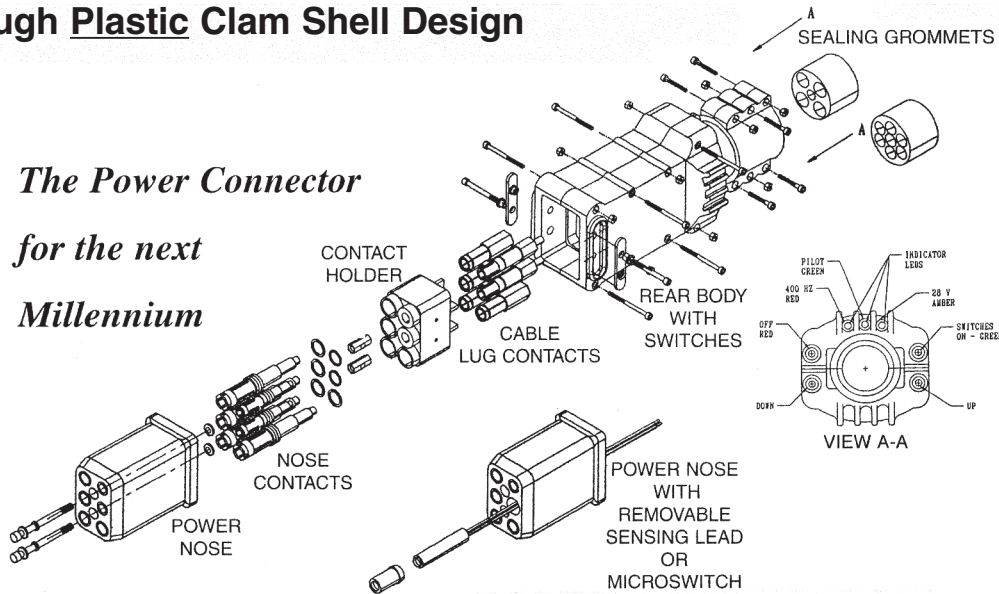
Other Models available for different cable sizes and configurations
Other kits available. Contact factory.

AC PLUG ATTACHABLE POWER NOSE® APN 6-POLE DC APN 3-POLE with switches & LEDs



Super Tough Plastic Clam Shell Design

*The Power Connector
for the next
Millennium*



Quick, easy assembly of all components; Triple sealed against moisture intrusion

Modular Components can be replaced quickly at the ramp:

- High abrasion resistant special rubber nose
- Rugged service proven long life Grabber® Contacts
- On-off; in-out waterproof switches with Waterproof LED status indicators
- Waterproof sensing lead or microswitch available see page 28
- Super tough clam shell with stainless hardware

6-Pole 115/200V 400Hz Attachable® Power Nose (APN) R91

| Complete Plug No. | Replacement Nose only | Cable Accommodation | Replacement Contact Kit |
|-------------------|-----------------------|---|-------------------------|
| R91G5E | R91KIT 1 | 4-1/0 (50mm) MIL-C-5756C Single Conductors;; #12/2 (2x3mm) Aux. | R91 Kit 2 Power |
| R91G36E | R91KIT 1 | 4-2/0 (70mm) MIL-C-5756C Single conductors;; #12/2 (2x3mm) Aux. | R91 Kit 3 Aux |
| R91G101E | R91KIT 1 | 6 #4 (20mm), 1-1/0 (50mm) Multiconductor; 6X1 Single Jacket | |
| R91G118E | R91KIT 1 | 4-70mm Single Conductors; #12/2 (2x3mm) Aux | |
| R91G146E | R91KIT 1 | 3-70mm Cables W Neutral | |

3 Pole 28V DC Attachable® Power Nose (APN) R92

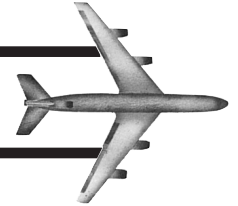
| | | |
|---------|----------|--------------------------------|
| R92G3E | R92KIT 1 | 2-4/0(120mm) Single Conductors |
| R92G153 | R92KIT 1 | 2-4/0(70mm) Single Conductors |
| R92G154 | R92KIT 1 | 2-4/0(70mm) Single Conductors |



R92 Kit 2 Power
R92 Kit 3 Aux
R92 Kit 2 Power
R92 Kit 2 Power

Other Models available for different cable sizes and configurations
Other kits available contact factory.

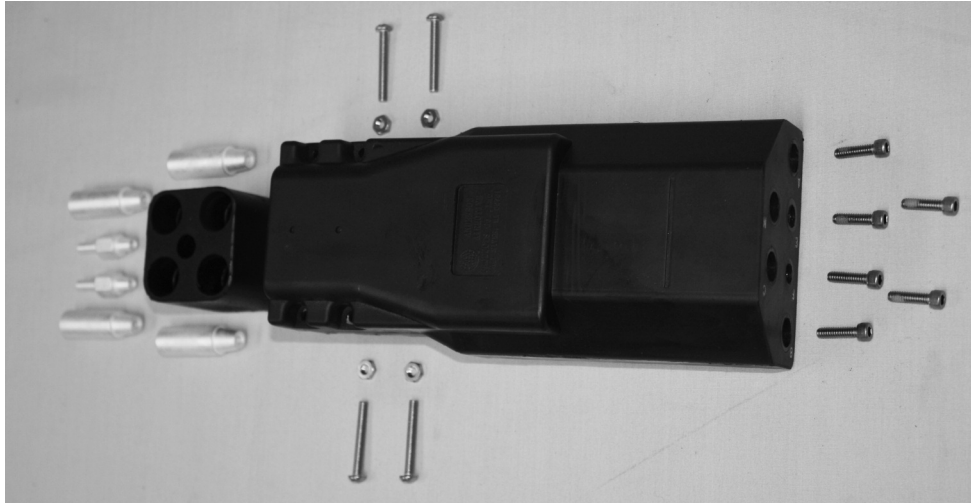
AC PLUG ATTACHABLE® 230/400 VAC



B1B Bomber Military Aircraft Connector

The ATTACHABLE Portable Plugs and Receptacles are molded of a proprietary synthetic elastomer, a compound specially selected for its resistance to moisture and chemicals as well as its ability to stand up under severe wear and tear. Power contacts are of machined copper, silver-plated to reduce contact

resistance. Contact lugs may be either crimped or soldered to cables. The R129 and R130 series are manufactured to MS21378 specifications and tested per MIL-C-7974D. Portable receptacles are particularly useful where a portable connection is required or for extending existing cable assemblies.

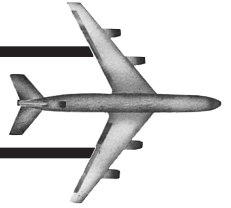


6-Pole AC 230/400V 400Hz Attachable® Plugs

| Complete Plug No. | Military Part No. | Body Only Part no. | Cable Accomodation | Grommet Kit No. | Portable Receptacle Part No. |
|-------------------|-------------------|--------------------|---|-----------------|------------------------------|
| R129G4E | | 3-4991G1 | 4-1/0 (50mm) Mil-C-5756C Single Conductor | 112081G4 | R130G4E |
| R129G5E-50A | MS21378 | 3-4991G1 | 4-1/0 (50mm) Mil-C-5756C Single Conductor; 12/2 (2x3mm)Aux. | 112081G5 | R130G5E |
| R129G7E | | 3-4991G1 | 4-2/0 (70mm) Welding Single Conductor | 112081G7 | R130G7E |
| R129G12E | | 3-4991G1 | 4-#4 (20mm) Welding Single Conductor; 12/2 (2x3mm)Aux. | 112081G12 | R130G12E |
| R129G16E | | 3-4991G1 | 4-#6 (13mm) Welding Single Conductor; 12/2 (2x3mm)Aux. | 112081G16 | R130G16E |
| R129G18E | | 3-4991G1 | 4-#2 (33mm) Welding Multiconductor | 112081G18 | R130G18E |
| R129G20E | | 3-4991G1 | 4-2/0 (50mm) Welding Single Conductor; 12/2 (2x3mm)Aux. | 112081G20 | R130G20E |
| R129G21E | | 3-4991G1 | 4-2/0 (50mm) Mil-C-5756C Single Conductor | 112081G21 | R130G21E |
| R129G26E | | 3-4991G1 | 3-#3 (27mm) 1#5(17mm) CVSF Multiconductor | 112081G26 | R130G26E |
| R129G36E | | 3-4991G1 | 4-2/0 (70mm) Mil-C-5756C Single Conductor; 12/2 (2x3mm)Aux. | 112081G36 | R130G36E |
| R129G56E | | 3-4991G1 | 4 (50mm) Welding Single Conductor; 12/2 (2x3mm)Aux. | 112081G56 | R130G56E |
| R129G82E | | 3-4991G1 | 4 (50mm) Single Conductor; 2.5mm/2Aux. | 112081G82 | R130G82E |
| R129G91E | | 3-4991G1 | 3-1/0 (50mm) 3-#6 (13mm) Command Multiconductor | 112081G91 | R130G91E |
| R129G100E | | 3-4991G1 | 4-2/0 (70mm) : 12/5 (5x3mm) Aux | 112081G100 | R130G100E |
| R129G103E | | 3-4991G1 | 6-#4 (20mm) 1-1/0 (50mm) 6x1 Multiconductor | 112081G101 | R130G101E |

Other Models available for different cable sizes and configurations
 ©Attachable is a Registered Trademark of Anderson Airmotive

The Anderson Family Ground Power Cable Assemblies



Attachable® and Over Molded Cable Assemblies

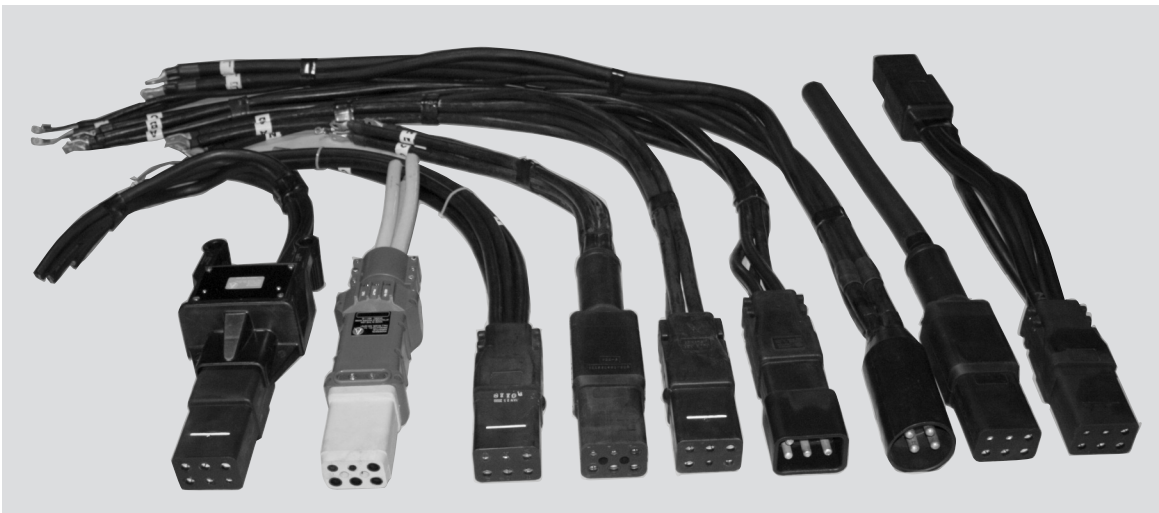
Cable assemblies are fabricated to the exacting requirements of MIL-C-7974D. Anderson Airmotive Products is a qualified source of supply for MS25019, MS90328, MS21378, and MS90347 assemblies.

In addition, Anderson can supply special cable configurations or lengths to meet your requirements. Contact the factory or your local Authorized Distributor for additional information.

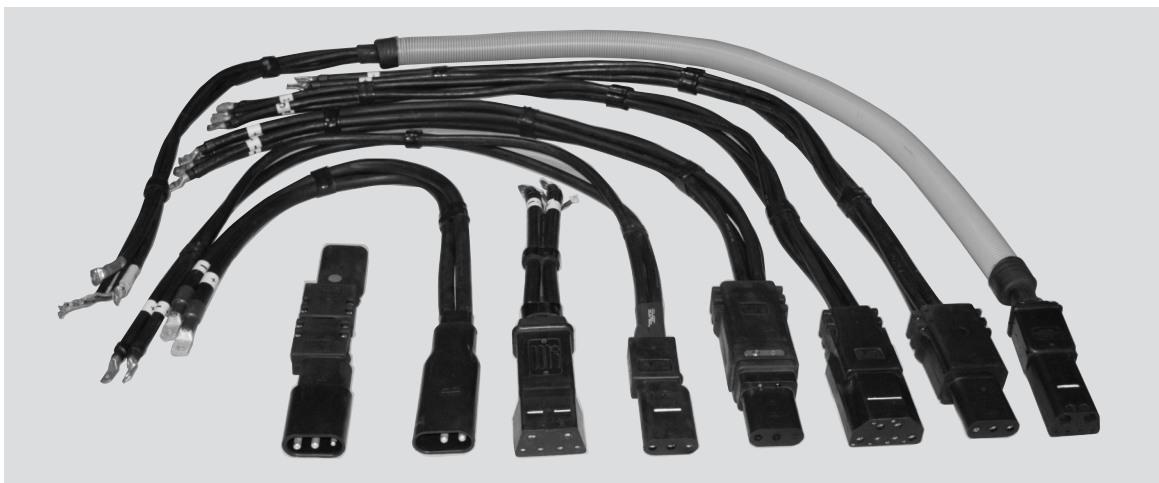
All Anderson cable assemblies feature silver plated high conductivity contacts with finger proof safety insulators and cable qualified to the latest military specification MIL-C-5756C; Composite Cables are UL listed. All these features insure that our cable assemblies are the safest, most flexible and longest lasting cable assemblies available today.

Our family of power cables is unequalled in the industry. Anderson Airmotive is the only company to offer you a choice of:

- (1) making/repairing your own ground power cables with our family of high quality and durable Attachable® plugs, or
- (2) buying a wide variety of new cable assemblies with either Attachable® or Overmolded plugs, from the factory.

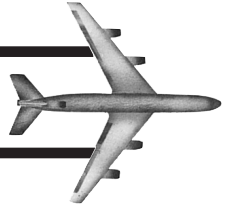


AC output cable assemblies from 110/200 VAC and 230/400VAC to 600V input cable assemblies with quick change noses, modular components and many cable options.

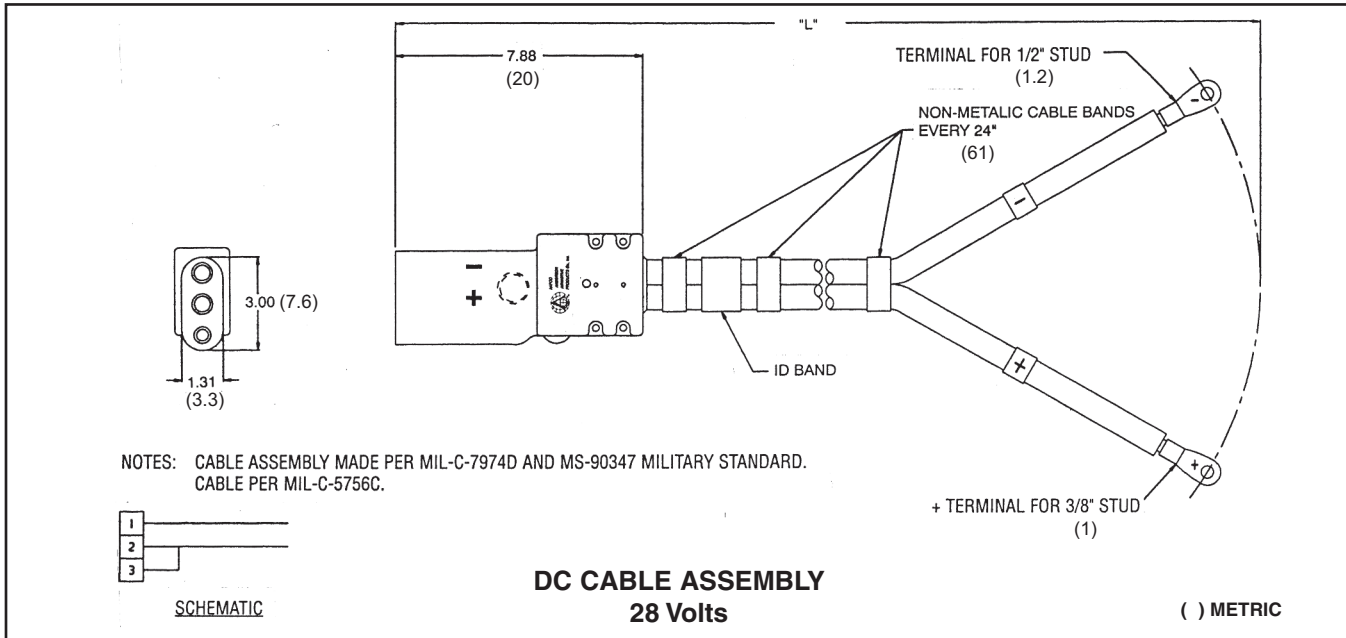


DC output cable assemblies from 28VDC, 80VDC and 270VDC with quick change noses and many cable options.

DC AIRCRAFT GROUND POWER CABLE ASSEMBLIES 3-POLE



2 Wire R65 28V DC



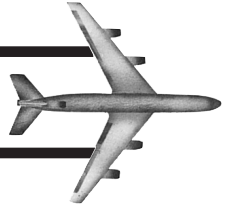
| PART NUMBER | LENGTH FEET/METERS | MILITARY PART NO. | CABLE DESCRIPTION | WEIGHT LBS (KG) | ASSEMBLY CONFIGURATION | |
|----------------|--------------------|-------------------|--------------------------------------|-----------------|------------------------|--|
| R65G1E-20AorM | 20 (6) | MS90347-7AorM | 2-1/0 (50mm) AWG SINGLE CONDUCTORS, | 26 (12) | | |
| R65G1E-30AorM | 30 (9) | MS90347-8AorM | NO CONTROL LEAD, | 36 (16) | | |
| R65G1E-40AorM | 40 (12) | MS90347-9AorM | SILVERPLATED | 46 (21) | | |
| R65G1E-60AorM | 60 (18) | MS90347-10AorM | CONTACTS, AND | 67 (30) | | |
| R65G1E-80AorM | 80 (24) | MS90347-11AorM | NON-METALLIC BANDS | 87 (40) | | |
| R65G1E-100AorM | 100 (30) | MS90347-12AorM | SPLICE KIT | 107 (49) | | |
| R65G1E-2AorM | 2 (0.7) | MS90347-25AorM | | 7 (3) | | |
| R65G2E-20AorM | 20 (6) | MS90347-13AAorM | 2-2/0 (70mm) AWG SINGLE CONDUCTORS, | 32 (15) | | |
| R65G2E-30AorM | 30 (9) | MS90347-14AAorM | NO CONTROL LEAD, | 45 (21) | | |
| R65G2E-40AorM | 40 (12) | MS90347-15AAorM | SILVERPLATED | 58 (26) | | |
| R65G2E-60AorM | 60 (18) | MS90347-16AAorM | CONTACTS, AND | 84 (38) | | |
| R65G2E-80AorM | 80 (24) | MS90347-17AAorM | NON-METALLIC BANDS | 110 (50) | | |
| R65G2E-100AorM | 100 (30) | MS90347-18AAorM | SPLICE KIT | 136 (67) | | |
| R65G2E-2AorM | 2 (0.7) | MS90347-26AorM | | 8 (4) | | |
| R65G3E-20AorM | 20 (6) | MS90347-19AAorM | 2-4/0 (120mm) AWG SINGLE CONDUCTORS, | 45 (20) | | |
| R65G3E-30AorM | 30 (9) | MS90347-20AAorM | NO CONTROL LEAD, | 65 (29) | | |
| R65G3E-40AorM | 40 (12) | MS90347-21AAorM | SILVERPLATED | 84 (38) | | |
| R65G3E-60AorM | 60 (18) | MS90347-22AAorM | CONTACTS, AND | 123 (56) | | |
| R65G3E-80AorM | 80 (24) | MS90347-23AAorM | NON-METALLIC BANDS | 162 (74) | | |
| R65G3E-100AorM | 100 (30) | MS90347-24AAorM | SPLICE KIT | 201 (91) | | |
| R65G3E-2AorM | 2 (0.7) | MS90347-27AorM | | 9 (4) | | |

Cable assemblies are available with Attachable® plug types as well as integrally Over Molded connectors. Other assemblies available for different cable sizes and configurations

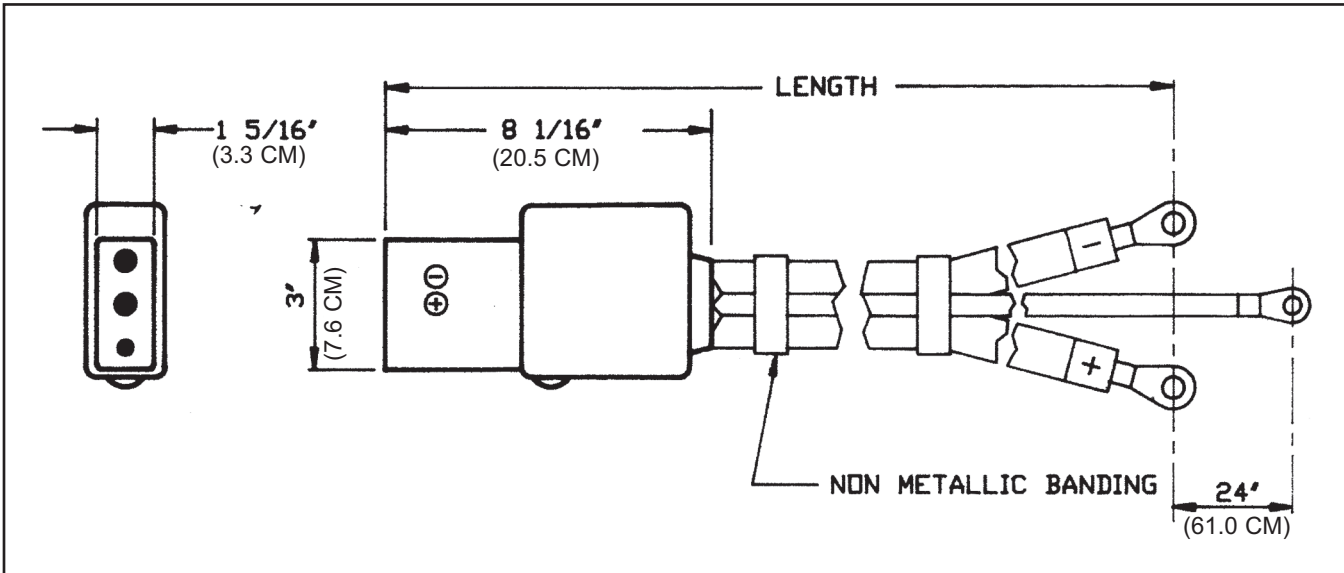
A= Attachable® Head
M =Over Molded Head

ATTACHABLE® is a registered trademark of Anderson Airmotive Products.

DC AIRCRAFT GROUND POWER CABLE ASSEMBLIES 3-POLE



3 Wire R71, R72



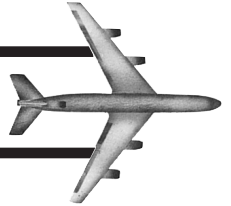
| PART NUMBER | LENGTH FEET/METERS | MILITARY PART NO. | CABLE DESCRIPTION | WEIGHT LBS (KG) | ASSEMBLY CONFIGURATION |
|----------------|-----------------------|----------------------|--------------------------|--------------------|---------------------------|
| R71G6E-20AorM | 20 (6) | MS25019-20A, M | 2-4/0 (120mm) AWG SINGLE | 46 (21) | RECTANGULAR |
| R71G6E-30AorM | 30 (9) | MS25019-30A, M | CONDUCTORS, #8 | 66 (30) | |
| R71G6E-40AorM | 40 (12) | MS25019-40A, M | CONTROL LEAD, | 85 (39) | |
| R71G6E-60AorM | 60 (18) | MS25019-60A, M | SILVERPLATED | 124 (57) | |
| R71G6E-80AorM | 80 (24) | MS25019-80A, M | CONTACTS, AND | 162 (74) | |
| R71G6E-100AorM | 100 (30) | MS25019-100A, M | NON-METALLIC BANDS | 202 (92) | |
| R71G6E-2AorM | 2 (0.7) | MS25019-2AorM | SPLICE KIT | 10 (4) | |
| R71G5E-20AorM | 20 (6) | | 2-4/0 (120mm) AWG SINGLE | 46 (21) | OVAL |
| R71G5E-30AorM | 30 (9) | | CONDUCTORS, #8 | 66 (30) | |
| R71G5E-40AorM | 40 (12) | | CONTROL LEAD, | 85 (39) | |
| R71G5E-60AorM | 60 (18) | | SILVERPLATED | 124 (57) | |
| R71G5E-80AorM | 80 (24) | | CONTACTS, AND | 162 (74) | |
| R71G5E-100AorM | 100 (30) | | NON-METALLIC BANDS | 202 (92) | |
| R71G5E-2AorM | 2 (0.7) | | SPLICE KIT | 10 (4) | |
| R72G5E-20AorM | 20 (6) | | 2-4/0 (120mm) AWG SINGLE | 46 (21) | OVAL |
| R72G5E-30AorM | 30 (9) | | CONDUCTORS, #8 | 66 (30) | |
| R72G5E-40AorM | 40 (12) | | CONTROL LEAD, SENSING | 85 (39) | |
| R72G5E-60AorM | 60 (18) | | SILVERPLATED | 124 (57) | |
| R72G5E-80AorM | 80 (24) | | CONTACTS, AND | 162 (74) | |
| R72G5E-100AorM | 100 (30) | | NON-METALLIC BANDS | 202 (92) | |
| R72G5E2S-2AorM | 2 (6) | | 2 WIRE SENSING LEAD | 10 (4) | |

Cable assemblies are available with Attachable® plug types as well as integrally Over Molded connectors. Other assemblies available for different cable sizes and configurations

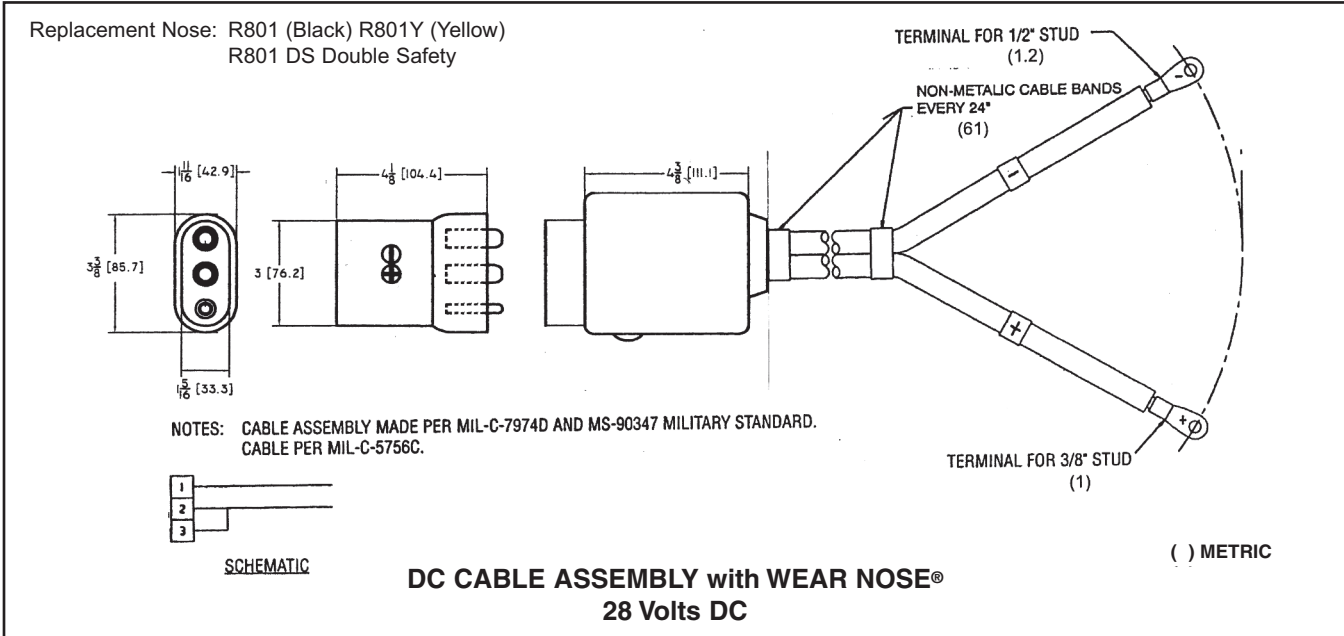
A= Attachable® Head
M =Over Molded Head

ATTACHABLE® is a registered trademark of Anderson Airmotive Products.

DC AIRCRAFT GROUND POWER CABLE ASSEMBLIES 3-POLE



2 Wire R800 28V DC Wear Nose®

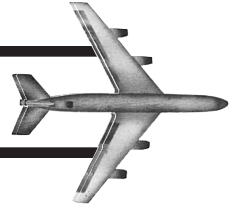


| PART NUMBER | LENGTH FEET/METERS | MILITARY PART NO. | CABLE DESCRIPTION | WEIGHT LBS (KG) | ASSEMBLY CONFIGURATION | |
|--------------|--------------------|-------------------|--------------------------|-----------------|------------------------|--|
| R800G1E-20M | 20 (6) | MS90347-7AorM | 2-1/0 (50mm) AWG SINGLE | 26 (12) | | |
| R800G1E-30M | 30 (9) | MS90347-8AorM | CONDUCTORS, | 36 (16) | | |
| R800G1E-40M | 40 (12) | MS90347-9AorM | NO CONTROL LEAD, | 46 (21) | | |
| R800G1E-60M | 60 (18) | MS90347-10AorM | SILVERPLATED | 67 (30) | | |
| R800G1E-80M | 80 (24) | MS90347-11AorM | CONTACTS, AND | 87 (40) | | |
| R800G1E-100M | 100 (30) | MS90347-12AorM | NON-METALLIC BANDS | 107 (49) | | |
| R800G1E-2AM | 2 (0.7) | MS90347-25AorM | SPLICE KIT | 7 (3) | | |
| R800G2E-20M | 20 (6) | MS90347-13AAorM | 2-2/0 (70mm) AWG SINGLE | 32 (15) | | |
| R800G2E-30M | 30 (9) | MS90347-14AAorM | CONDUCTORS, | 45 (21) | | |
| R800G2E-40M | 40 (12) | MS90347-15AAorM | NO CONTROL LEAD, | 58 (26) | | |
| R800G2E-60M | 60 (18) | MS90347-16AAorM | SILVERPLATED | 84 (38) | | |
| R800G2E-80M | 80 (24) | MS90347-17AAorM | CONTACTS, AND | 110 (50) | | |
| R800G2E-100M | 100 (30) | MS90347-18AAorM | NON-METALLIC BANDS | 136 (67) | | |
| R800G2E-2M | 2 (0.7) | MS90347-26AorM | SPLICE KIT | 8 (4) | | |
| R800G3E-20M | 20 (6) | MS90347-19AAorM | 2-4/0 (120mm) AWG SINGLE | 45 (20) | | |
| R800G3E-30M | 30 (9) | MS90347-20AAorM | CONDUCTORS, | 65 (29) | | |
| R800G3E-40M | 40 (12) | MS90347-21AAorM | NO CONTROL LEAD, | 84 (38) | | |
| R800G3E-60M | 60 (18) | MS90347-22AAorM | SILVERPLATED | 123 (56) | | |
| R800G3E-80M | 80 (24) | MS90347-23AAorM | CONTACTS, AND | 162 (74) | | |
| R800G3E-100M | 100 (30) | MS90347-24AAorM | NON-METALLIC BANDS | 201 (91) | | |
| R800G3E-2M | 2 (0.7) | MS90347-27AorM | SPLICE KIT | 9 (4) | | |

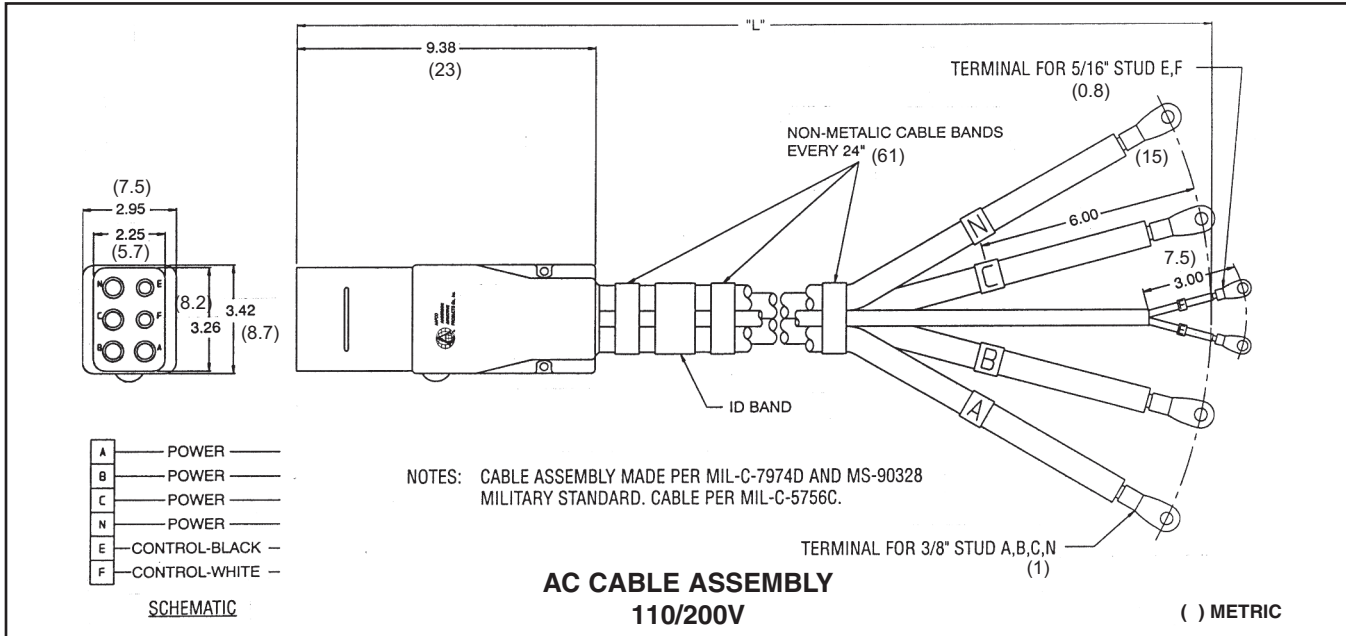
Other assemblies available for different cable sizes and configurations

WEAR NOSE® is a registered trademark of Anderson Airmotive Products.

AC AIRCRAFT GROUND POWER CABLE ASSEMBLIES 6-POLE



R67 110/200V AC 400 Hz

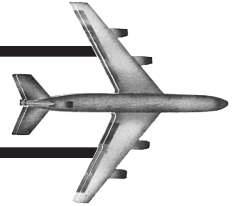


A= Attachalbe M = Overmolded.

| PART NUMBER | LENGTH FEET/ METERS | MILITARY PART NO. | CABLE DESCRIPTION | WEIGHT LBS (KG) | ASSEMBLY CONFIGURATION |
|-----------------|------------------------|----------------------|------------------------------|--------------------|---------------------------|
| R67G4E-20AorM | 20 (6) | MS90328-13AorM | 4-1/0 (50mm) AWG SINGLE | 46 (21) | |
| R67G4E-30AorM | 30 (9) | MS90328-14AorM | CONDUCTORS, | 67 (30) | |
| R67G4E-40AorM | 40 (12) | MS90328-15AorM | NO CONTROL LEADS, | 87 (39) | |
| R67G4E-60AorM | 60 (18) | MS90328-16AorM | E AND F SHUNTED IN PLUG, | 127 (58) | |
| R67G4E-80AorM | 80 (24) | MS90328-17AorM | SILVER PLATED CONTACTS, | 168 (76) | |
| R67G4E-100AorM | 100 (30) | MS90328-18AorM | AND NON-METALLIC BANDS | 208 (94) | |
| R67G4E-2AorM | 2 (.7) | MS90328-39AorM | SPLICE KITS | 10 (5) | |
| R67G21E-20AorM | 20 (6) | MS90328-19AorM | 4-2/0 (70mm) AWG SINGLE | 60 (27) | |
| R67G21E-30AorM | 30 (9) | MS90328-20AorM | CONDUCTORS, | 88 (40) | |
| R67G21E-40AorM | 40 (12) | MS90328-21AorM | NO CONTROL LEADS, | 116 (53) | |
| R67G21E-60AorM | 60 (18) | MS90328-22AorM | E AND F SHUNTED IN PLUG, | 172 (78) | |
| R67G21E-80AorM | 80 (24) | MS90328-23AorM | SILVER PLATED CONTACTS, | 226 (103) | |
| R67G21E-100AorM | 100 (30) | MS90328-24AorM | AND NON-METALLIC BANDS | 281 (127) | |
| R67G21E-2AorM | 2 (.7) | MS90328-40AorM | SPLICE KITS | 12 (5) | |
| R67G5E-20AorM | 20 (6) | MS90328-25AorM | 4-1/0(50mm) AWG SINGLE | 50 (23) | |
| R67G5E-30AorM | 30 (9) | MS90328-26AorM | CONDUCTORS, | 71 (32) | |
| R67G5E-40AorM | 40 (12) | MS90328-27AorM | 1-12/2 (2X3mm) CONTROL LEAD, | 93 (42) | |
| R67G5E-60AorM | 60 (18) | MS90328-28AorM | SILVER PLATED CONTACTS, | 137 (62) | |
| R67G5E-80AorM | 80 (24) | MS90328-29AorM | AND NON-METALLIC BANDS | 180 (82) | |
| R67G5E-100AorM | 100 (30) | MS90328-30AorM | | 224 (102) | |
| R67G5E-2AorM | 2 (.7) | MS90328-37AorM | SPLICE KITS | 9 (4) | |
| R67G36E-20AorM | 20 (6) | MS90328-31AorM | 4-2/0 (70mm) AWG SINGLE | 58 (26) | |
| R67G36E-30AorM | 30 (9) | MS90328-32AorM | CONDUCTORS, 1-12/2 (2X3mm) | 84 (38) | |
| R67G36E-40AorM | 40 (12) | MS90328-33AorM | CONTROL LEADS, | 110 (50) | |
| R67G36E-60AorM | 60 (18) | MS90328-34AorM | SILVER PLATED CONTACTS, | 162 (78) | |
| R67G36E-80AorM | 80 (24) | MS90328-35AorM | AND NON-METALLIC BANDS | 213 (97) | |
| R67G36E-100AorM | 100 (30) | MS90328-36AorM | | 297 (135) | |
| R67G36E-2AorM | 2 (.7) | MS90328-38AorM | SPLICE KITS | 9(4) | |

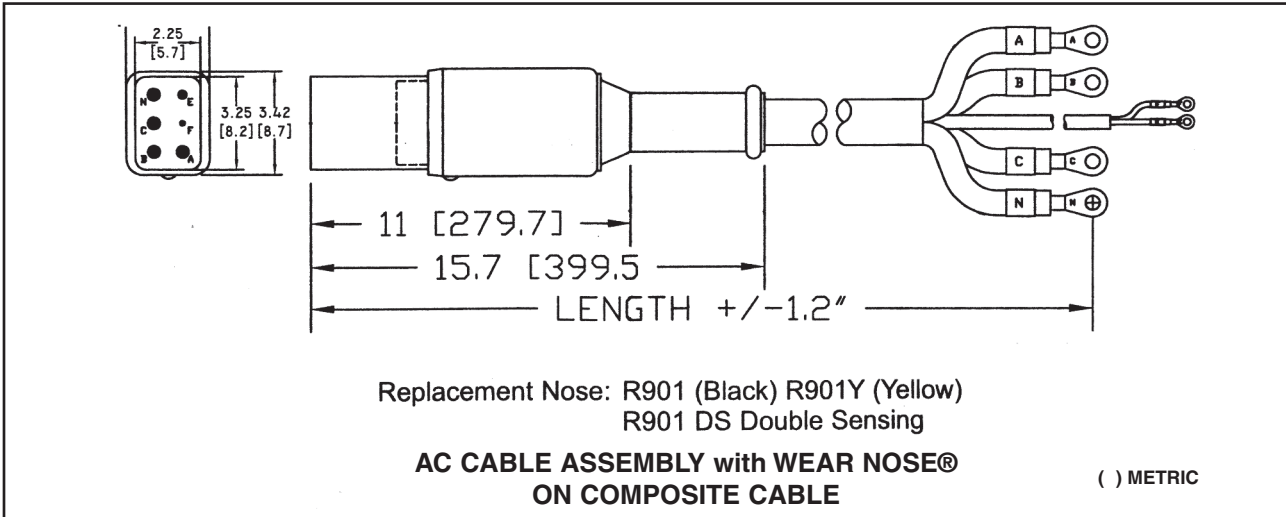
Cable assemblies are available with Attachable® plug types as well as Over Molded connectors for any type of cable including single jacket composite cables. Other assemblies available for different cable sizes and configurations.

AC AIRCRAFT GROUND POWER CABLE ASSEMBLIES 6-POLE



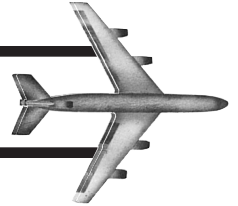
R900 110/200V AC with Wear Nose®

Cable assembly with over molded plug and field replaceable nose. Compatible with other wear nose type assemblies.



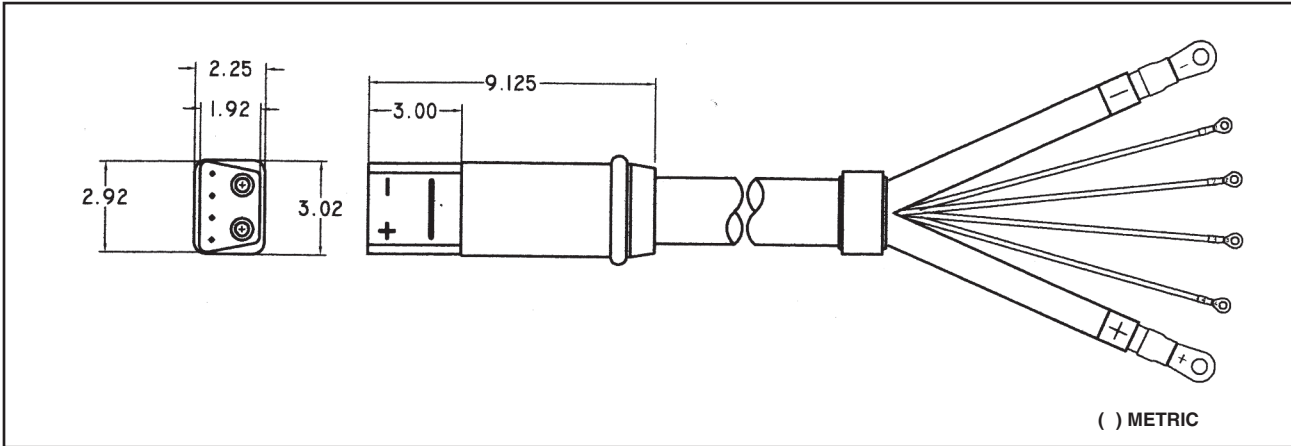
| PART NUMBER | LENGTH FEET/ METERS | CABLE DESCRIPTION | WEIGHT LBS (KG) | ASSEMBLY CONFIGURATION |
|----------------|------------------------|---|---|---------------------------|
| R900G4E-20M | 20 (6) | 4-1/0 (50mm) AWG SINGLE CONDUCTORS, NO CONTROL LEADS, E AND F SHUNTED IN PLUG, SILVER PLATED CONTACTS, AND NON-METALLIC BANDS | 46 (21) | |
| R900G4E-30M | 30 (9) | | 67 (30) | |
| R900G4E-40M | 40 (12) | | 87 (39) | |
| R900G4E-60M | 60 (18) | | 127 (58) | |
| R900G4E-80M | 80 (24) | | 168 (76) | |
| R900G4E-100M | 100 (30) | | 208 (94) | |
| R900G4E-2M | 2 (.7) | SPLICE KITS | 10 (5) | |
| R900G21E-20M | 20 (6) | 4-2/0 (70mm) AWG SINGLE CONDUCTORS, NO CONTROL LEADS, E AND F SHUNTED IN PLUG, SILVER PLATED CONTACTS, AND NON-METALLIC BANDS | 60 (27) | |
| R900G21E-30M | 30 (9) | | 88 (40) | |
| R900G21E-40M | 40 (12) | | 116 (53) | |
| R900G21E-60M | 60 (18) | | 172 (78) | |
| R900G21E-80M | 80 (24) | | 226 (103) | |
| R900G21E-100M | 100 (30) | | 281 (127) | |
| R900G21E-2M | 2 (.7) | SPLICE KITS | 12 (5) | |
| R900G5E-20M | 20 (6) | 4-1/0(50mm) AWG SINGLE CONDUCTORS, 1-12/2 (2X3mm) CONTROL LEAD, SILVER PLATED CONTACTS, AND NON-METALLIC BANDS | 50 (23) | |
| R900G5E-30M | 30 (9) | | 71 (32) | |
| R900G5E-40M | 40 (12) | | 93 (42) | |
| R900G5E-60M | 60 (18) | | 137 (62) | |
| R900G5E-80M | 80 (24) | | 180 (82) | |
| R900G5E-100M | 100 (30) | | 224 (102) | |
| R900G5E-2M | 2 (.7) | SPLICE KITS | 9 (4) | |
| R900G36E-20M | 20 (6) | 4-2/0 (70mm) AWG SINGLE CONDUCTORS, 1-12/2 (2X3mm) CONTROL LEADS, SILVER PLATED CONTACTS, AND NON-METALLIC BANDS | 58 (26) | |
| R900G36E-30M | 30 (9) | | 84 (38) | |
| R900G36E-40M | 40 (12) | | 110 (50) | |
| R900G36E-60M | 60 (18) | | 162 (78) | |
| R900G36E-80M | 80 (24) | | 213 (97) | |
| R900G36E-100M | 100 (30) | | 297 (135) | |
| R900G36E-2M | 2 (.7) | SPLICE KITS | 9(4) | |
| R900G103E-20M | 20 (6) | 6 #4 AWG (20mm); 1 #1 (42 mm) COMPOSITE CABLE | 50 (23) | |
| R900G103E-30M | 30 (9) | | 70 (32) | |
| R900G103E-40M | 40 (12) | | 90 (41) | |
| R900G103E-60M | 60 (18) | | 130 (59) | |
| R900G103E-80M | 80 (24) | | 170 (77) | |
| R900G103E-100M | 100 (30) | | 210 (95) | |
| R900G103E-3M | 3 (1) | | 6 #4 AWG (20mm); 1 #1 (42 mm) COMPOSITE CABLE | |

AC AIRCRAFT GROUND POWER CABLE ASSEMBLIES



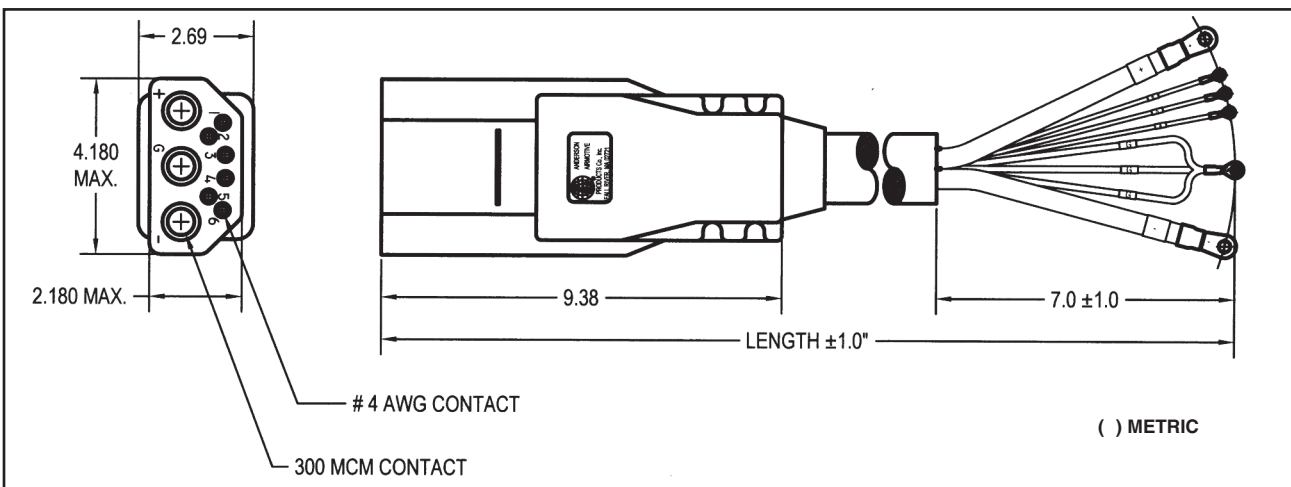
FAST CHARGE 80V®

Type A: 2 Power Leads and 4 Auxiliaries



| PART NUMBER | LENGTH FEET/ METERS | CABLE DESCRIPTION | WEIGHT LBS (KG) | ASSEMBLY CONFIGURATION |
|--------------|---------------------|--|-----------------|------------------------|
| R270G5E-20M | 20 (6) | 2 1/0 (50mm) and 4 #12 (3mm) AWG MILC5756B | 55 (25) | |
| R270G36E-20M | 20 (6) | 2 2/0 (50mm) and 4 #12 (3mm) AWG MILC5756B | 65 (30) | |

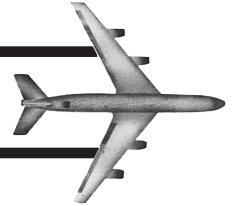
Type B: 2 Power Leads 1 Ground and 6 Auxiliaries



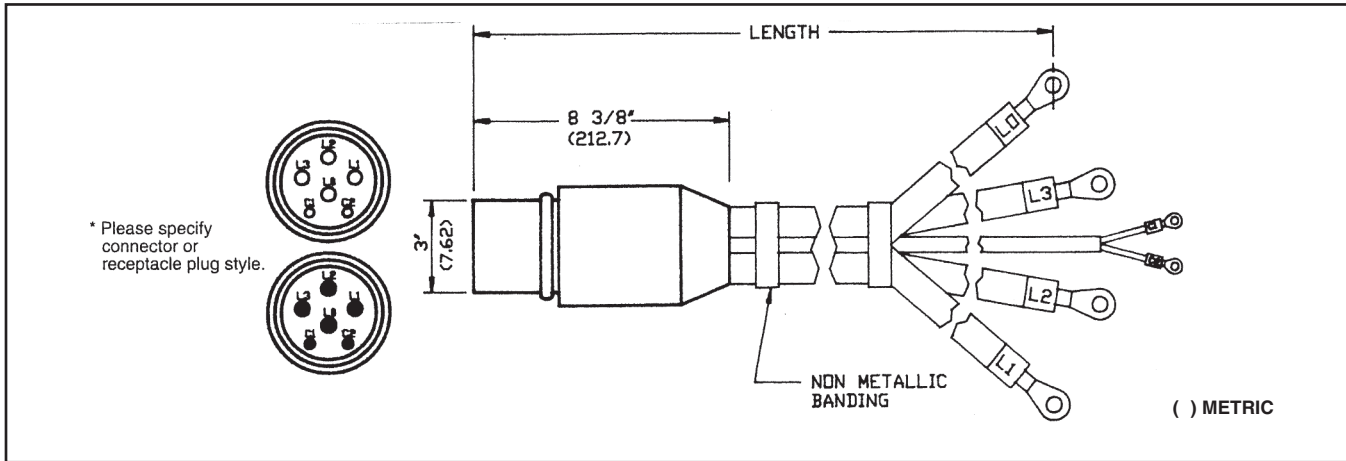
A= Attachalbe M = Overmolded.

| PART NUMBER | LENGTH FEET/ METERS | CABLE DESCRIPTION | WEIGHT LBS (KG) | ASSEMBLY CONFIGURATION |
|--------------|---------------------|--|------------------------|------------------------|
| R80G103E-XXM | AS REQUIRED | COMPOSITE CABLE WITH 2 4/0 AWG (100mm); 3 #6 AWG (13mm); 3 #16 AWG (1.3mm); 6#22 AWG (0.45mm) | 2.3lbs (1 kg) per foot | |

AC AIRCRAFT GROUND POWER CABLE ASSEMBLIES 6-POLE



RAMP POWER 416/240V



The Ramp Power Connector is used on a variety of military and commercial ground service equipment around the world. The neoprene body and silver-plated contacts provide for a safe, reliable connection that is not only moisture and corrosion-resistant, but able to withstand the real-life abuse of everyday usage on the ramp. Accommodates wire sizes from #4 AWG to 4/0 AWG.

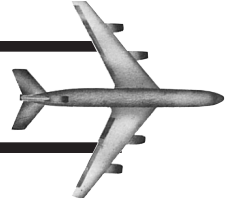
| G.A.P.P. P/N | LENGTH FEET | LENGTH METERS | CONDUCTOR NO. AND SIZE | SHIP. WT (LBS) | CABLE, BAND & SCHEMATIC |
|---------------|-------------|---------------|-------------------------|----------------|-------------------------|
| MALE | | | | | |
| 833N005020 | 20 | 6.10 | (4) 1/0, (50mm) (2x3mm) | 46 | |
| 833N005030 | 30 | 9.14 | (4) 1/0, (50mm) (2x3mm) | 67 | |
| 833N005040 | 40 | 12.19 | (4) 1/0, (50mm) (2x3mm) | 87 | |
| 833N005060 | 60 | 18.29 | (4) 1/0, (50mm) (2x3mm) | 127 | |
| 833N005080 | 80 | 24.38 | (4) 1/0, (50mm) (2x3mm) | 168 | |
| 833N005100 | 100 | 30.48 | (4) 1/0, (50mm) (2x3mm) | 208 | |
| 833N036020 | 20 | 6.10 | (4) 2/0, (70mm) (2x3mm) | 56 | |
| 833N036030 | 30 | 9.14 | (4) 2/0, (70mm) (2x3mm) | 84 | |
| 833N036040 | 40 | 12.19 | (4) 2/0, (70mm) (2x3mm) | 110 | |
| 833N036060 | 60 | 18.29 | (4) 2/0, (70mm) (2x3mm) | 162 | |
| 833N036080 | 80 | 24.38 | (4) 2/0, (70mm) (2x3mm) | 213 | |
| 833N036100 | 100 | 30.48 | (4) 2/0, (70mm) (2x3mm) | 265 | |
| FEMALE | | | | | |
| 834N005020 | 20 | 6.10 | (4) 1/0, (50mm) (2x3mm) | 50 | |
| 834N005030 | 30 | 9.14 | (4) 1/0, (50mm) (2x3mm) | 71 | |
| 834N005040 | 40 | 12.19 | (4) 1/0, (50mm) (2x3mm) | 93 | |
| 834N005060 | 60 | 18.29 | (4) 1/0, (50mm) (2x3mm) | 137 | |
| 834N005080 | 80 | 24.38 | (4) 1/0, (50mm) (2x3mm) | 180 | |
| 834N005100 | 100 | 30.48 | (4) 1/0, (50mm) (2x3mm) | 224 | |
| 834N036020 | 20 | 6.10 | (4) 2/0, (70mm) (2x3mm) | 60 | |
| 834N036030 | 30 | 9.14 | (4) 2/0, (70mm) (2x3mm) | 88 | |
| 834N036040 | 40 | 12.19 | (4) 2/0, (70mm) (2x3mm) | 116 | |
| 834N036060 | 60 | 18.29 | (4) 2/0, (70mm) (2x3mm) | 172 | |
| 834N036080 | 80 | 24.38 | (4) 2/0, (70mm) (2x3mm) | 226 | |
| 834N036100 | 100 | 30.48 | (4) 2/0, (70mm) (2x3mm) | 281 | |

Other lengths available upon request

per AF 55C 6182 and Mil-C-38159
Available in both male and female versions

Applications include:
Hydraulic test stands, motor generators, air conditioning units,
400Hz Frequency Converters

THE ANDERSON FAMILY RECEPTACLES

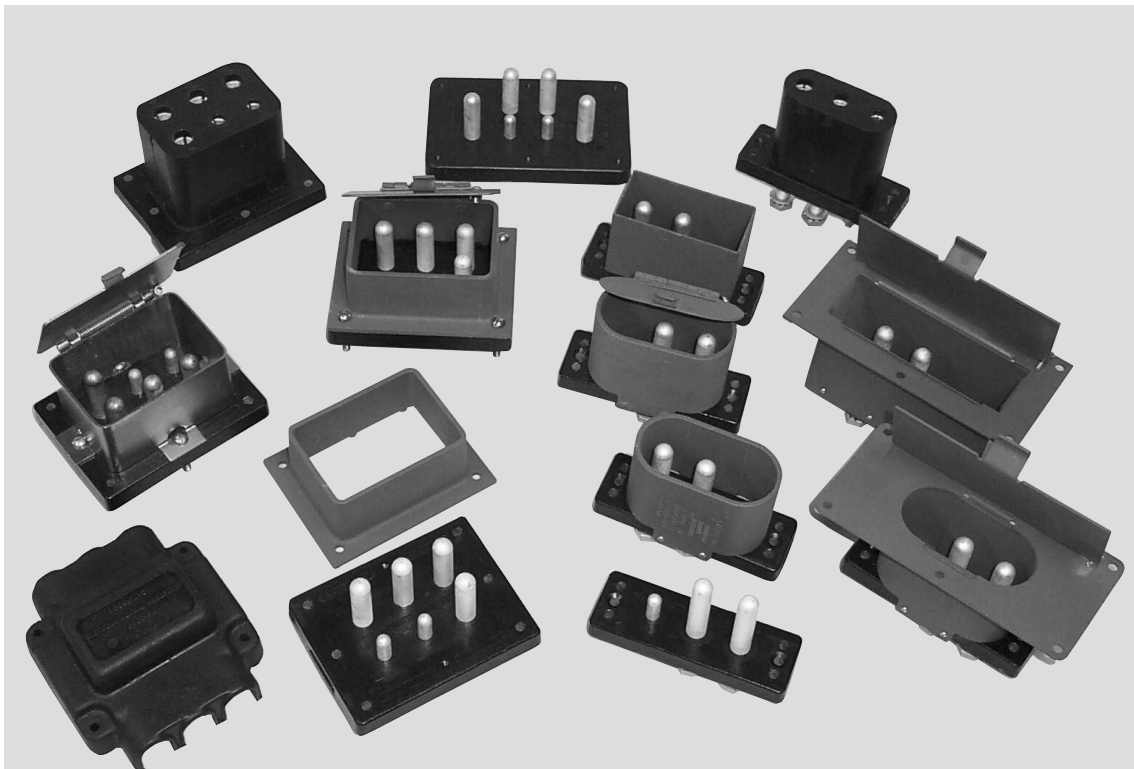


Ground Power Receptacles are located on the aircraft or other devices and receive the power input from a ground source to recharge and operate electrical accessories. Anderson offers the largest selection of receptacles ranging from 28V DC to 270V DC and 110V AC to 400V AC accommodating all your power needs. Varieties include male and female designs.

Anderson Airmotive DC and AC receptacles are manufactured to specification MIL-C-81790 and are listed on the Qualified Products List. Bases are molded of glass reinforced material for low moisture absorption and high strength. The copper power and brass control contacts are machined and silverplated to MS

tolerances.

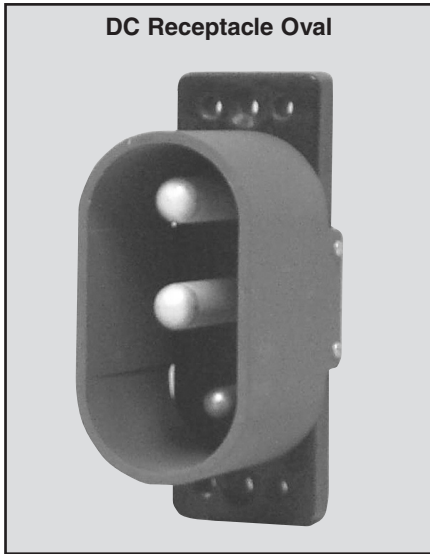
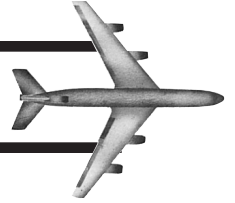
The shield, when applicable, is of anodized aluminum to guide plug insertion and guard against misalignment. Studs and contact nuts for lug connections are located at the rear of the receptacle.



Receptacle Performance to QPL MIL-C-81790 (AS81790)

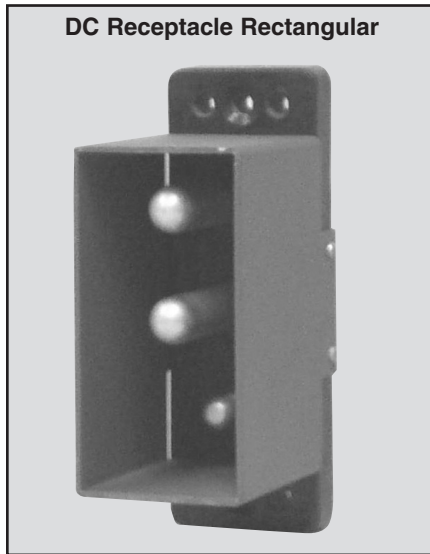
| | |
|------------------------------------|--|
| Dielectric Withstand | 2500VRMS WITH< 1 milli-amp leakage |
| Current Rating - Power Contacts | 450A continuous (> than 1 hour) 1500A for 1 minute |
| Current Rating - Control Contacts | 35A continuous auxiliary |
| Flexural Strength | 3500 lbs (1590 Kg) |
| Thermal Shock | -65° to +200°C |
| Impact Strength - Power Contacts | Withstands impact of 10 lb weight (4.5KG) dropped from 24 inches (60 cm) |
| Impact Strength - Control Contacts | Withstands impact of 10 lb weight (4.5KG) dropped from 12 inches (30 cm) |

GROUND POWER RECEPTACLES (3-POLE) 28V DC



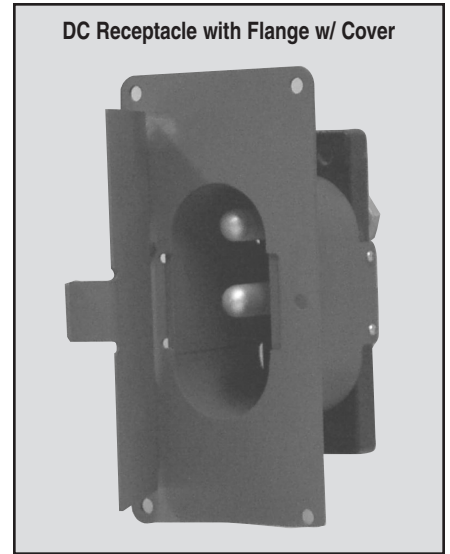
DC Receptacle Oval

**Receptacle with Oval Shield
MS 3506-1
4621B**



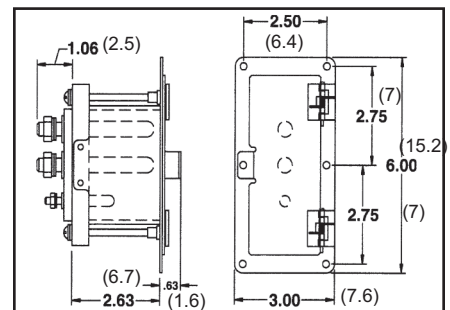
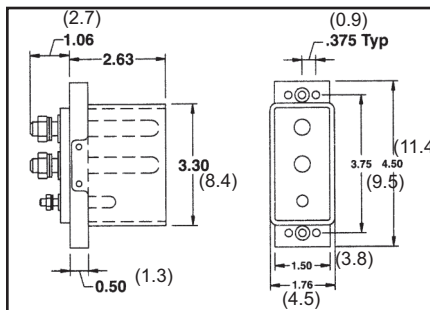
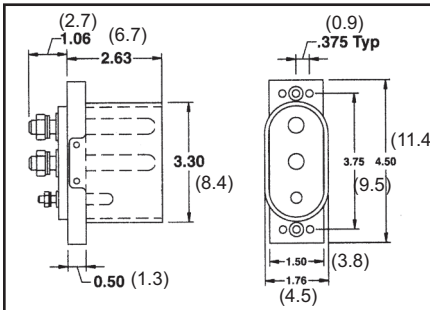
DC Receptacle Rectangular

**Receptacle with Rectangular
Shield MS 25018-2
4632B**



DC Receptacle with Flange w/ Cover

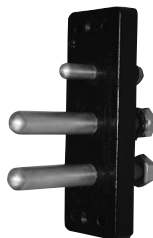
**Receptacle with Oval
Shield and Cover
4650B**



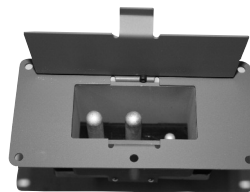
| Description | Anderson Catalog Number | Government Reference Number | Mating Plug & Cable Assemblies |
|---|-------------------------|-----------------------------|--------------------------------|
| Receptacle | 4622B | _____ | Series R64 Plug |
| Receptacle w/Oval Shield | 4621B | MS3506-1 | Series R65 (MS25488) |
| Receptacle w/Oval Shield and Snap Cover | 4621BSC | _____ | Series R71, R92 |
| Receptacle w/Oval Shield and Flanged Cover | 4650B | MS90362-1 | (MS93047) Cable Assembly |
| Receptacle with Rectangular Shield | 4632B | _____ | Series R71 Plug (MS25487) |
| Receptacle w/Rectangular Shield & Flanged Cover | 4651B | MS25018-2 | (MS25019) Cable Assembly |
| Female Receptacle | 4665B | _____ | R765, R771, R93 Series R68 |



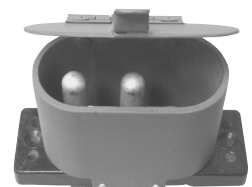
4665B



4621B

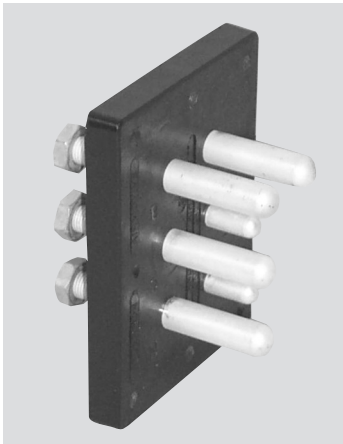
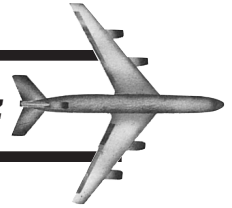


4651B

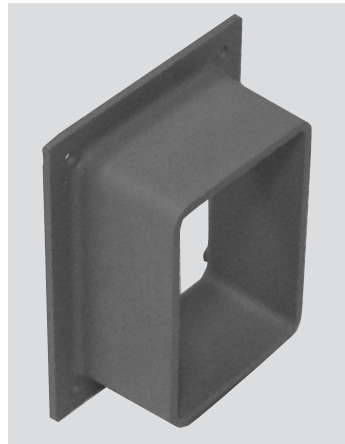


4621BSC

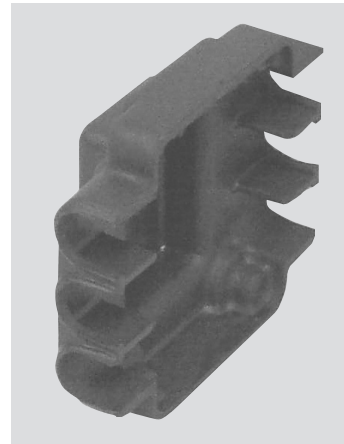
Ground Power RECEPTACLES (6-POLE) 115/200V AC 400Hz



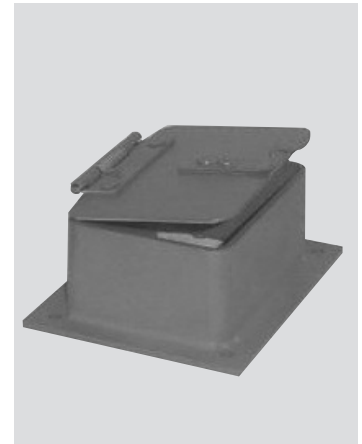
**Receptacle MS90302-3
4627B**



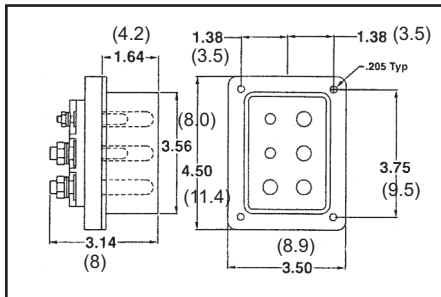
**Shield MS17845-1
4654B**



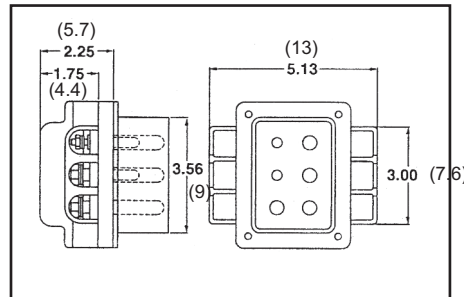
**Rear Cover MS3505-1
4633B**



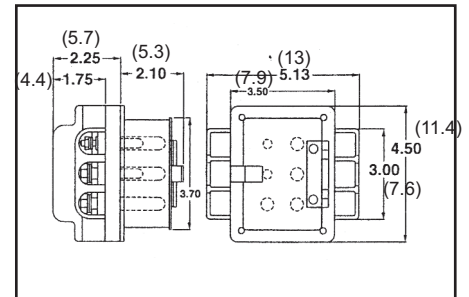
Snap Cover 4652G2B



Receptacle with Shield



**Receptacle with Shield
and Rear Cover**



**Receptacle with Rear Cover
and Snap Cover**

400 Hz Receptacles are designed to meet specifications for Connector Style 3A as detailed in ISO461/1 AND ISO461/2, and US Military Specification MIL-C-81790 (A) and are listed on Qualified Product List (QPL)

| Description | Anderson Catalog Number | Government Reference Number | Mating Plug & Cable Assemblies |
|---|-------------------------|-----------------------------|--|
| Receptacle Only | 4627B | MS90362-3 | Series R67 Plug (MS25486) and Cable Assembly MS90328 |
| Receptacle w/Rear Cover and Shield | 4628B | MS90362-4 | |
| Receptacle w/Shield and Fine Thread Terminals | 4631B | MS90362-1 | |
| Rear Cover Only | 4633B | MS3505-1 | Series R90, R91 |
| Shield Only | 4654B | MS17845-1 | |
| Receptacle w/Rear Cover, Shield and Hinged Snap Front Cover | 4652B | — | Series R112 |
| Hinged Snap Cover Steel Shield | 4652G2 | — | Series R90, R91 |
| Hinged Snap Cover Aluminum Shield | 4652G2B | | |
| Female Receptacle | 4667B | | |

Power Terminal Studs have 3/8 - 24 thread. Control terminal studs have 10-32 N.F. thread. All dimensions are in inches and centimeters for reference only; they should not be used for layout work. Specific details will be furnished on request.



4628B



4631B

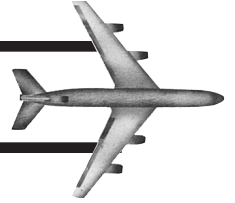


4652G2



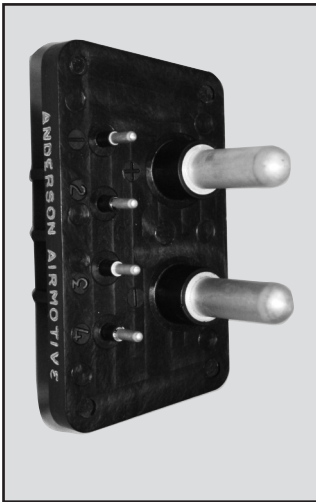
4667B

80 VDC Fast Charge; 230/400V AC RECEPTACLES



80 VDC Fast Charge; 270 VDC

Ground Power Receptacles are located on the aircraft or other devices and receive the power input from a ground source to recharge and operate electrical accessories. Anderson offers the largest selection of receptacles ranging from 28V DC to 270V DC and 110V AC to 400V AC accommodating all your power needs.



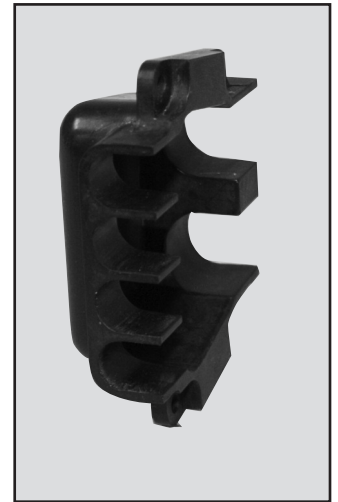
**Receptacle
3-8358P1**



**Receptacle
with Shield
4629B**

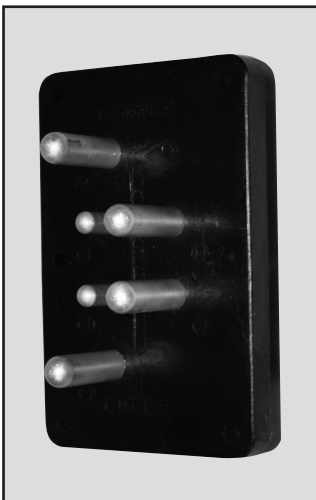


**Shield
2-8356P1**



**Rear Cover
4634B**

230/400V AC Receptacle



**Receptacle
3-4985G1**



**Receptacle
with Shield
MS21379**

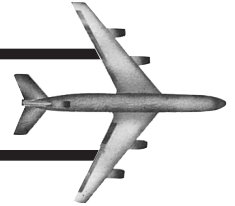


**Shield
2-6976P1**



**Snap Cover
2-6976P1SC**

ANDERSON ATTACHABLE® AC HANDLE

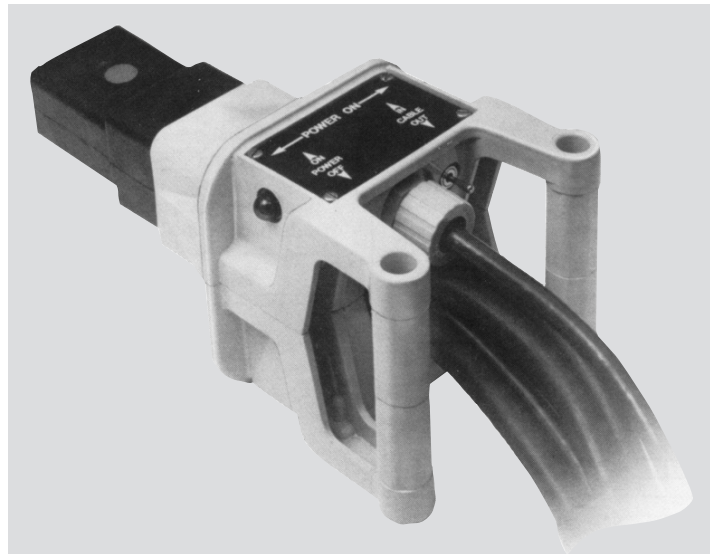


ATTACHABLE® HANDLE FOR 400 HZ. GROUND POWER CONNECTORS

- **CONVENIENT**
- **LIGHTWEIGHT CLAM SHELL DESIGN**
- **COMPATIBLE WITH ALL COMMERCIAL AIRCRAFT**
- **ACCEPTS SINGLE-JACKETED CABLE or Multiconductors**



HANDLE WITH ON/OFF SWITCHES AND 3 LED'S (31G35)



HANDLE WITH CABLE ASSY (30G1)

Anderson's ATTACHABLE® Handle provides a convenient method of coupling the ground power connector to the aircraft. The design features replaceable, weatherproof switches for controlling ground power and the cable retriever at the connector. This eliminates the need for cumbersome control boxes attached to the cable assembly. The handle is available without switches for applications that do not require remote control.

Fabricated from a unique Ionomer material, the handle combines light weight (2 lbs/1kg) with exceptional impact characteristics. It is impervious to typical aircraft fluids

such as jet fuel, skydrol, glycol and water.

The design offers protection for the power connector and a convenient hand grip to make engaging and disengaging easier. This helps reduce strain on the connector due to mishandling. An outer flange prevents the connector from laying on the ground, reducing abrasion of the connector and potential danger in wet locations.

Unlike other connectors with integral switches, the ATTACHABLE design allows easy replacement of the switches or the connector. A time-saving advantage available only with the ATTACHABLE® approach.

30G1 Handle Assembly
Non Electrified

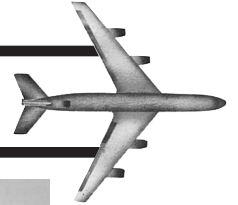
30G1 Handle Assembly Electrified
(Requires switch, cable connector and
indicator lamp.

30G2 Adapter

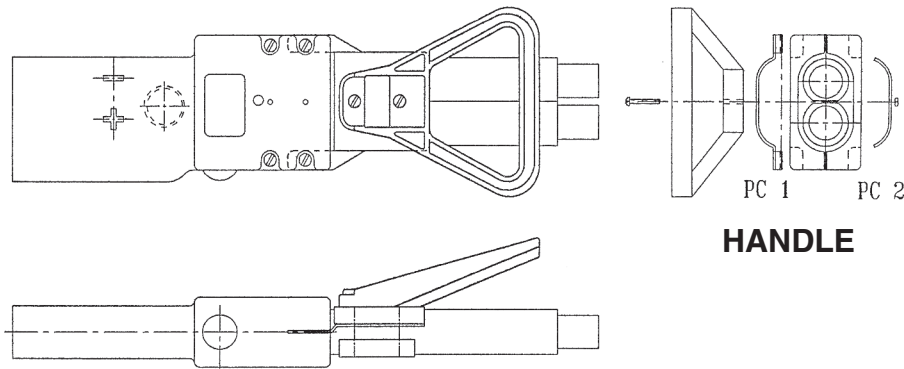
31G35 Handle Assembly with
on/off switches;
3 LED'S and
Sensing

ATTACHABLE® is a Registered Trademark of Anderson Airmotive Products

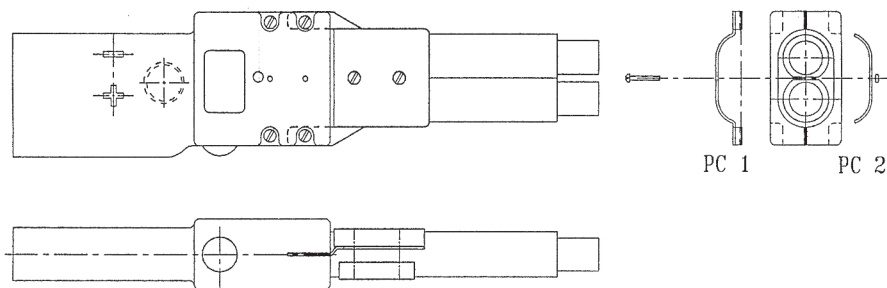
DC Handle and Strain Relief



DC Handle and Strain Relief on R65



DC Strain Relief on R65



The DC Handle and Strain Relief design offers protection for the power connector and provides a convenient hand grip to make engaging and disengaging easier. This helps reduce strain on the connector due to mishandling.

Order Information:

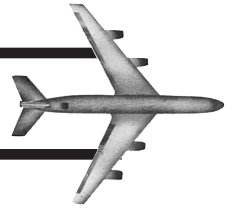
Strain Relief Kit: Part No. — 120012G1

Handle: Gray Polycarbonate Plastic Part No. — HDLG

Red Polycarbonate Plastic Part No. — HDLR

Insulated non-corrosive steel Part No. — HDLM

The Anderson Family BATTERY CONNECTORS



Battery Connectors - CAT. NOS. R121, R125, 4657B



Corkscrew plugs and receptacles lock into compact, rugged connections

The connector

Corkscrew locking plugs and receptacles provide compact, weathertight connections for quick indoor or outdoor battery charging and numerous other electric vehicle, industrial and aircraft applications.

For maximum conductivity with minimum corrosion, all contacts are silverplated copper. Even after salt-spray exposure electrical resistance stays minimal.

The plug

Plug mechanisms are encased in a durable Hypalon insulation housing. Stainless steel garter springs reinforce the socket-type contacts to increase mating pressure and make each connection equally reliable. Intergrally designed gaskets seal the mated connector.

The plug models differ primarily by means of termination and current rating. Catalog number R121 is a convenient no crimp no solder setscrew termination. Catalog number R125 provides the precise fit and rugged connection of a conical lug termination, which is retained in the plug with an allen-type screw.

A screw-lock mates the connector tightly enough to withstand severe vibration and physical shocks. It is operated by a twist handle which positively connects and disconnects the plug. The handle also indicates the state of the connection by its position.

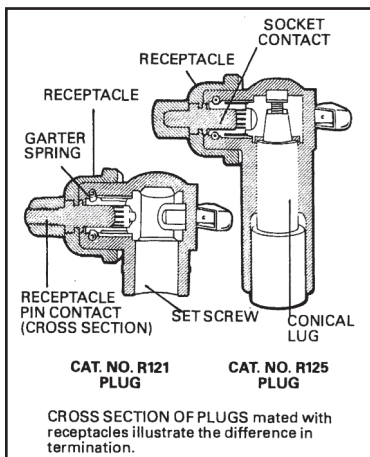
The receptacle

The receptacle is flanged for surface mounting. Pin-style contacts are molded into the glass-filled thermoset plastic housing. Hardware is plated to resist corrosion.

Applications

The corkscrew is a versatile, high performance connector, that may be used for weatherproof battery charger and intercomponent connections in electric vehicles; as a stand-by power connector in computer systems; or as a ground power connector in marine, air and rail transport. It is recommended for other similar applications, or wherever hydraulic fluids, oils, acids and other such potentially destructive elements could shorten the life of another connector.

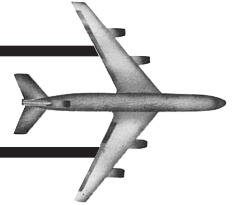
data table



| | PLUG | PLUG | PLUG RECEPTACLE |
|----------------------------|---|--------------|-----------------|
| CATALOG NUMBER | R121 | R125 | 4657 |
| AMPERES, CONTINUOUS | 250 | 300 | 300 |
| VOLTS | 125 | 600 | 600 |
| CONNECT-DISCONNECTS | at least 5000 time (all) | | |
| no load | for disconnect use only (all) | | |
| load | | 10-4/0 | 10-4/0 |
| AWG CABLE SIZES | | 1" | |
| MAXIMUM CABLE O.D. | 3/4" | conical lug* | threaded pin |
| CABLE CONNECTION | set screw | | |
| CONTACT TYPE | socket | socket | |
| CONTACT MATERIAL | silverplated copper (all) | | |
| CONTACT RESISTANCE | approximately 75 micro-ohms maximum after 100-hr. salt spray test | | |
| CONTACT MATING FORCE | <12 inch-pound torque (all) | | |
| AUXILIARY CONTACT | available - consult factory | | |
| TEMP. RISE ABOVE AMBIENT | <30°C with largest cable rated-continuous duty (all) | | |
| ENVIRONMENTAL RESTRICTIONS | | | |
| AMBIENT OPERATING TEMP. | -40°C to + 71°C (all) | | |
| WEATHERPROOF | yes† | yes† | yes† |
| OTHER TESTING | vibration, temperature, shock, dielectric strength, fungus, salt spray, humidity, hydraulic fluids, acid, alkali, lubrication oil | | |
| HOUSING COLOR | black | black | black |

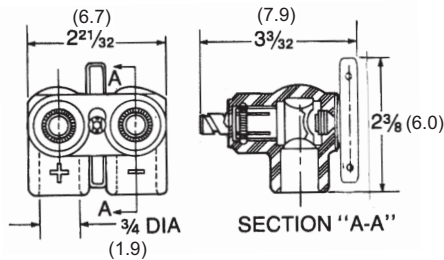
*crimp or solder contact ** shrink tubing over connector sleeve-to-cable joint and potted set-screw holes required

BATTERY CONNECTORS

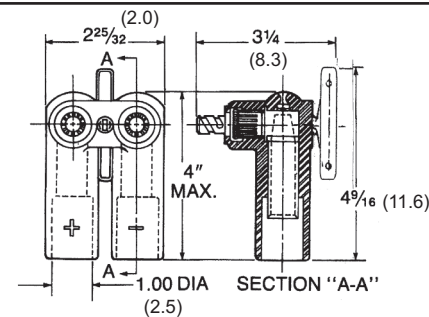


Battery Connectors - Plugs and Receptacles

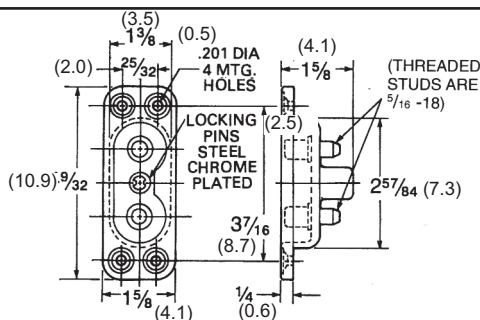
DIMENSIONS



CAT. NO. R121 PLUG


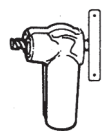




CAT. NO. R125 PLUG



CAT. NO. 4657B RECEPTACLE

ORDERING INFORMATION

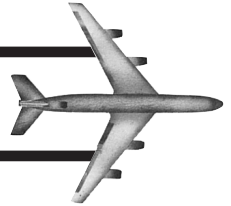
| set screw termination | | | |
|---|---------------------------------|----------------|----------------|
|  | AWG Size ** | Metric mm | Catalog Number |
| | #6-3/0 | (85) | R121 |
| lug termination (lugs included) | | | |
|  | AWG Size ** | Metric mm | Catalog Number |
| | 10 | (5) | R125G1 |
| | 8 | (8) | R125G2 |
| | 6 | (13) | R125G3 |
| | 5-4 | (17-21) | R125G4 |
| | 3-2 | (27-34) | R125G5 |
| | 1 | (42) | R125G6 |
| | 1/0 | (53) | R125G7 |
| | 2/0 | (67) | R125G8 |
| | 3/0 | (85) | R125G9 |
| | 4/0 | (107) | R125G10 |
| lug sets (replacement) | | | |
|  | AWG Size ** | METRIC mm | Catalog Number |
| | 8-10 | (8-5) | 970 |
| | 12-10 | (3-5) | 971 |
| | 8 | (8) | 972 |
| | 6 | (13) | 973 |
| | 5-4 | (17-21) | 974 |
| | 3-2 | (27-34) | 975 |
| | 1 | (42) | 976 |
| | 1/0 | (53) | 977 |
| | 2/0 | (67) | 978 |
| | 3/0 | (85) | 979 |
| | 4/0 | (107) | 980 |
| Two lugs per set, with hardware | | | |
| ordering information Receptacle | | | |
|  | Description*** | Catalog Number | |
| | Black with threaded studs _____ | 4657B | |

** Soldering is recommended for cable sizes 10 through 8 AWG. For Cable sizes 6 through 4/0 AWG, see suggested crimping tool.

| SUGGESTED CRIMP TOOLS FOR R125 | | | |
|--------------------------------|------------|------|----------|
| AWG Size | Tool | Nest | Indentor |
| 6 | | A6CD | Y34PL-1 |
| 5-4 | Burndy | A2CD | Y34PLA |
| 3-2 | Y34A | A1CD | Y34PLA |
| 1 | Hypress | A25D | Y34PA |
| 1/0 | or | A26D | Y34PA |
| 2/0 | equivalent | A27D | Y34PA |
| 3/0 | | A28D | Y34PR-5 |
| 4/0 | | A29D | Y34PR-5 |

The cat. no. R125 Plug is covered by the following patents:
U.S. Patent 2,917,722
Canadian Patent 612,047

AC, DC QuickBreakaway® QB

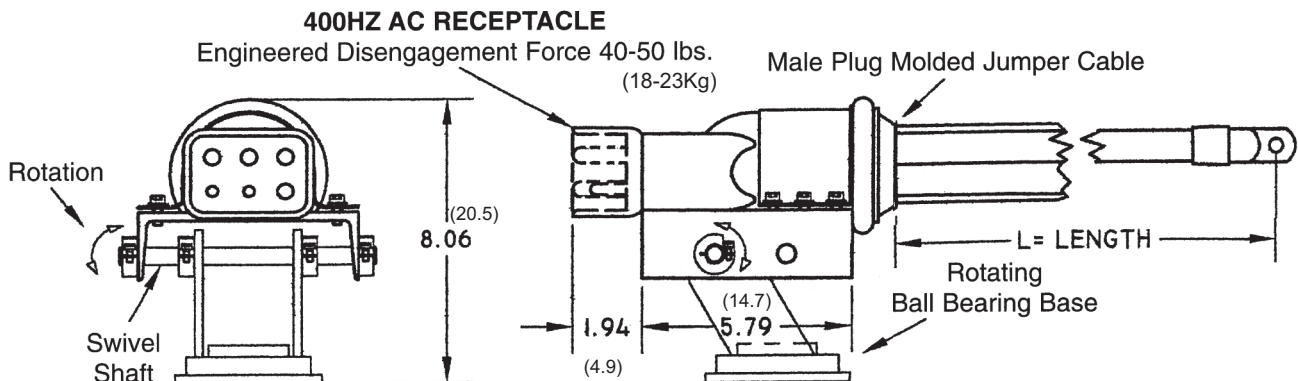
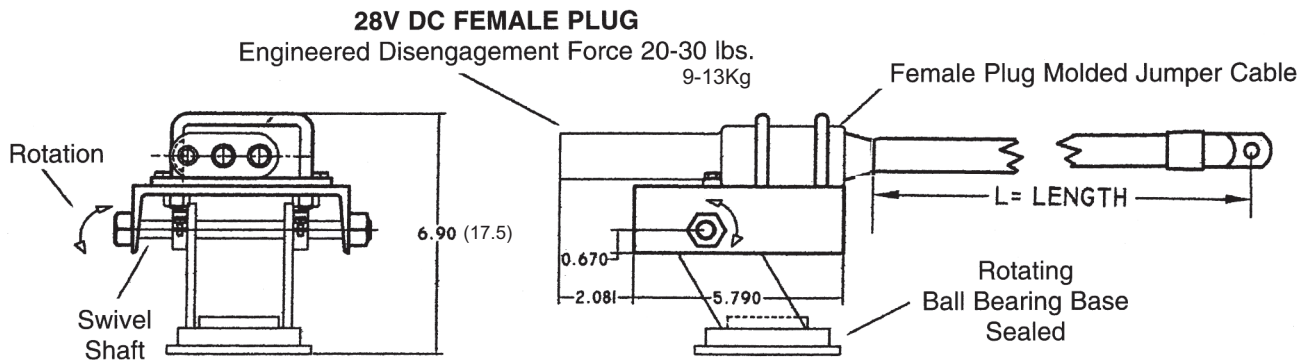


Principle:

The QuickBreakaway® is designed to disconnect the power cord from the source (GPU or Bridge) without damage to the equipment if operators fail to disconnect the power cable.

Operation:

The QB is a rugged ball bearing swivel assembly that rotates the male or female plug jumper cable 360° in the direction of pull. The male-female configuration is designed to disconnect at about 50% of the normal disconnect force; thus, the connection will break at the QB assembly on the power source if the plug is not disengaged at the plane.



Installation:

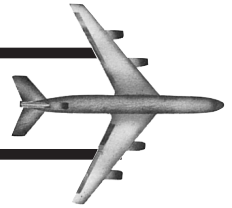
The QB can easily be installed on a GPU or on a bridge through the mounting holes in the base. Adaptors are available for mounting. The jumper assembly hooks up to the power source output with terminal lugs and is customized for length based on the application.

The power cable will require two female connectors or a male-female depending on configuration; one connector plugs into the QB and the other provides power to the plane.

| | | | | | |
|--------------------|----|------------------|---------------|--------------------|--------------------|
| Order Information: | A. | 360° Swivel Base | | <u>DC</u> QB-DC | <u>AC</u> QB-AC |
| | B. | QB Jumper | Male | R68GxxEQB-xM | R112GxxEQB-xM |
| | | | Female | R65GxxEQB-xM | R67GxxEQB-xM |
| | C. | QB Cable Assy | Double Female | R65GxxE-2-xM | R67GxxE-2-xM |
| | | | Male/Female | R68GxxEQBR65-xM | R112GxxEQBR67-xM |


® QuickBreakaway (QB) is a registered trademark of Anderson Airmotive Products Co., Inc.

The Anderson Family Options & ACCESSORIES




Lug Sets

Cable lugs for crimping or soldering to cable prior to assembly into Attachable® plugs. R65, R67, R71 Series, R125, R68, R112, R765, R768, R771

| Cable lug sets | | | |
|--|-------------|-------------|----------------|
|  Two lugs per set, with hardware | AWG Size ** | Metric | Catalog Number |
| | 12-10 | (3.3-5.3) | 971 |
| | 8-10 | (8.3-5.3) | 970 |
| | 8 | (8.3) | 972 |
| | 6 | (13.3) | 973 |
| | 5-4 | (17.2-21) | 974 |
| | 3-2 | (27.4-33.6) | 975 |
| | 1 | (42.4) | 976 |
| | 1/0 | (53.5) | 977 |
| | 2/0 | (67.4) | 978 |
| | 3/0 | (85) | 979 |
| 4/0 | (107.2) | 980 | |

Terminal lugs for crimping or soldering on to cable.

| Terminal lug sets | | | | |
|--|-------------|-------------|------------------|------------------|
|  Two lugs per set | AWG Size ** | Metric | Terminal Lug Set | Terminal Lug Set |
| | | | 3/8" (0.9) hole | 1/2" (1.3) hole |
| | 12-10 | (3.3-5.3) | T971 | T971-1 |
| | 8-10 | (8.3-5.3) | T970 | T970-1 |
| | 8 | (8.3) | T972 | T972-1 |
| | 6 | (13.3) | T973 | T973-1 |
| | 5-4 | (17.2-21) | T974 | T974-1 |
| | 3-2 | (27.4-33.6) | T975 | T975-1 |
| | 1 | (42.4) | T976 | T976-1 |
| | 1/0 | (53.5) | T977 | T977-1 |
| | 2/0 | (67.4) | T978 | T978-1 |
| 3/0 | (85) | T979 | T979-1 | |
| 4/0(107.2) | (107.2) | T980 | T980-1 | |

Crimp Tool Recommendations

VERSA-CRIMP® HYDRAULIC COMPRESSION TOOL HAND OPERATED TYPE VC7

Die Less

- The original notched-top VERSA-CRIMP compression tool allows direct access of the tool to the connector for compressing multi-strand/rope lay copper cable in mining, marine and industrial applications. Copper color label denotes use with copper connectors, only with 360° head rotation.

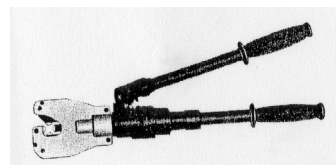
Includes:

- High impact plastic carrying and shipping case with Service Manual and 2-Year warranty.

- Notes: 1) Due to high pressure developed by this tool, it is not to be used on aluminum connector or cable.
 2) add suffix "D" to catalog number for neoprene covered head.
 3) Type VCHTG, Direct Reading Pressure Gauge, is used for checking operating pressure.

® Anderson Electric

| |
|------|
| TOOL |
| VC7 |

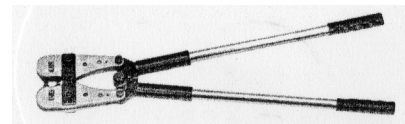


TYPE VC7 - Hand tool

Conductor Range — #6 Str. —500 MC MBare Cu
 Approx. Wt. Each — 10.5 lbs. (4.7 kg.)
 Also available as bench mounted

Rotating Hex Die Hand Crimper (CT-090)

RANGE: #6 AWG TO 4/0 AWG
 LENGTH: 25.5 inches WEIGHT; 6.5 lbs.

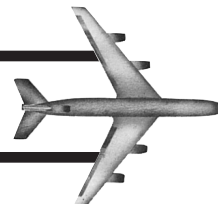


CT-090

Hex Die Crimper

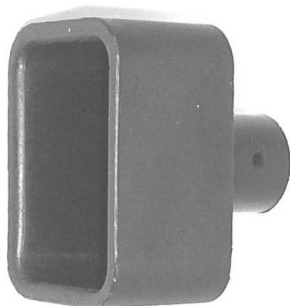
MS25441 Crimper with 12 ton Hydraulic Head and appropriate MS90485 crimp dies. T&B or equivalent

ACCESSORIES (cont'd)



Environmental End Caps

Protect end of connector from dust and environmental damage



AC END CAP FOR PLUG
2-8300P1



AC END CAP FOR RECEPTACLE
2-8300P2



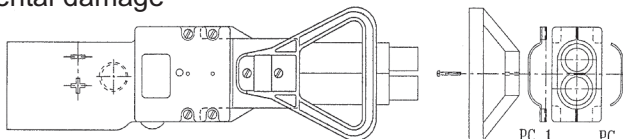
DC END CAP FOR RECEPTACLE
2-8299P2



DC END CAP FOR PLUG
2-8299P1

Strain Relief for DC Cable Assemblies

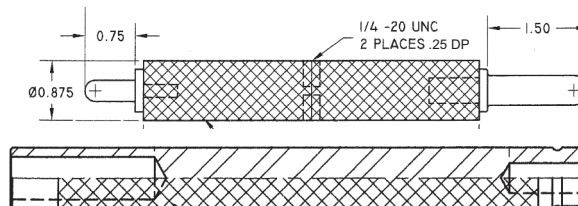
Protect end of connector from dust and environmental damage



Order Information:
 Strain Relief Kit: Part No. - 120012G1
 Handle: Gray Polycarbonate Plastic Part No – HDLG
 Red Polycarbonate Plastic Part No. — HDLR
 Insulated non-corrosive steel Part No. — HDLM

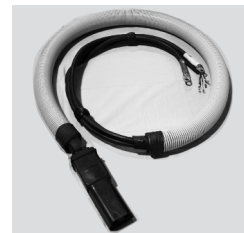
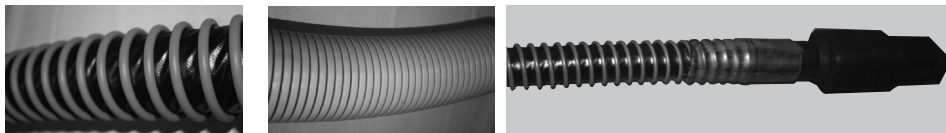
Test Pins

1. For checking plug wear on Power and Auxiliary female contacts
Order: TPM
2. For checking receptacle power pin and auxiliary pin wear
Order: TPF



Scuff Covers

Protects cables from direct contact with ground and eases sliding.



Supplied in 30 feet max increments; Order SC-xx



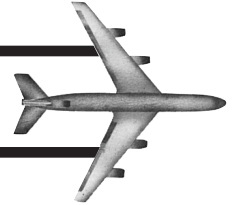
R65G3E-3SK



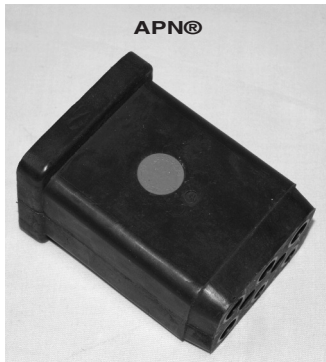
AC SPLICE KIT R67G36E-3SK

Splice Kits DC & AC See page 14,15,16 for options.

ACCESSORIES (cont'd)

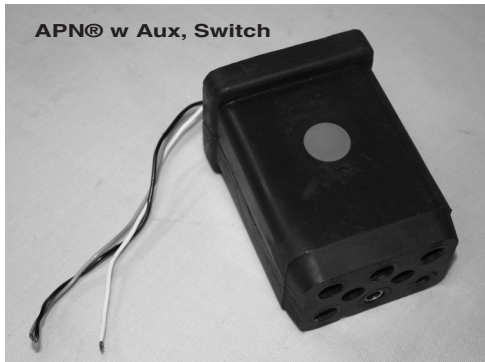


Replacement Noses



APN®

R90 Kit 1
R91 Kit 1



APN® w Aux, Switch

R90 Kit 1SW
R91 Kit 1SW



Wear Nose®

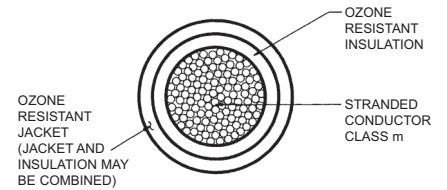
R901 (Black), R901Y (Yellow)

Double safety nose option can be added to both APN and Wear Nose. Add DS as prefix. The DS will disconnect plug if resistance is too high when properly connected.

Cable Options

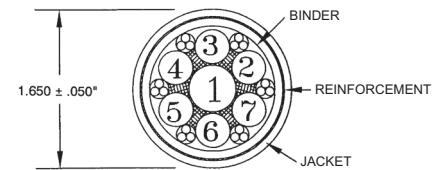
MIL-C-5756 C

Super flexible ozone **RESISTANT**
1/0 H 2041P2
2/0 H 2042P1
4/0 H 2044P1



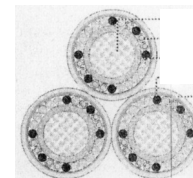
Single Jacket Balanced Composite Cable

260A 400 Hz # 81501
300A 400 Hz #81502



Betajet®

50 MM #81503
70 MM #81504



®BetaJet registered Trademark Leoni Studer Cable
Other Cable Available - Welding, TPE Insulation, etc.

Assembly Kit

Order No. 111239G2



Strap Hanger

Relieves stress on plugs for longer cable assembly life.

Order No. AAP00416





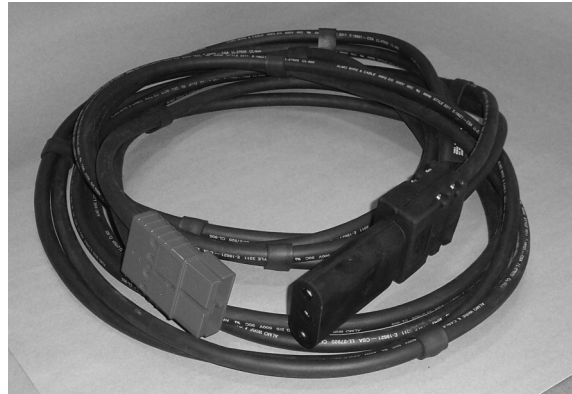
ANDERSON AIRMOTIVE CAN ENGINEER SOLUTIONS TO YOUR SPECIAL POWER CONNECTION REQUIREMENTS



MS 3108 with R67G11E



**28V DC Helicopter Plug
250 MCM R83, R84**



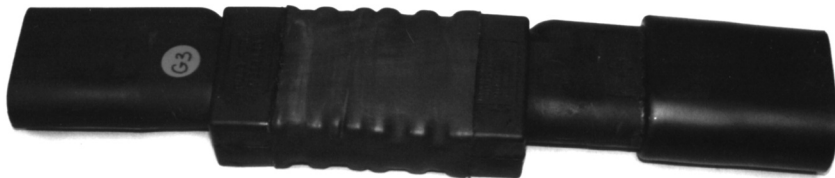
**R65 with SB Anderson Power Products
Battery Connector**



R65G3E with R125 BATTERY PLUG

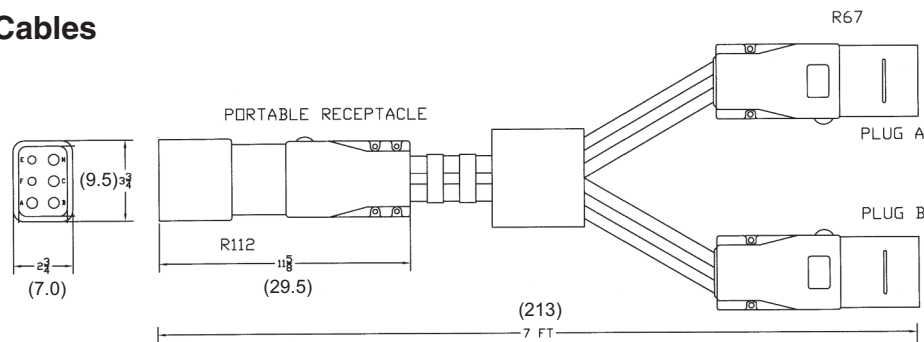


MS 27285 Male with MS25486 PLUG



Lear Jet Adapter: Female/Male Jumper Order: R68G3ER65-0

“Y” Cables



AC + DC “Y” available designed so that both output plugs have to be plugged in to power up. AC Part # R112GxxER67GS2-7A DC Part # R68GxxER65-GS2-7A

CONVERSION OF AMERICAN WIRE GAUGE TO METRIC SYSTEM

| SIZE AWG OR MCM | AMPERES SINGLE COND. 75° C COPPER (NFPA) | AREA | | | APROX. DIAMETER | |
|--------------------------|---|------------------|------------------|--------------|-----------------------------|-------|
| | | CIRCULAR MILS | SQUARE INCHES | SQUARE mm | INCHES CLASS M (NEMA) | mm |
| 20 | 7 | 1020 | 0.0008 | 0.52 | 0.038 | .97 |
| 18 | 10 | 1620 | 0.0013 | 0.82 | 0.048 | 1.22 |
| 16 | 15 | 2580 | 0.0020 | 1.31 | 0.060 | 1.52 |
| 14 | 20 | 4110 | 0.0032 | 2.08 | 0.078 | 1.98 |
| 12 | 25 | 6530 | 0.0051 | 3.31 | 0.101 | 2.57 |
| 10 | 40 | 10380 | 0.0082 | 5.26 | 0.126 | 3.20 |
| 8 | 65 | 16510 | 0.0130 | 8.37 | 0.162 | 4.11 |
| 6 | 95 | 26240 | 0.0206 | 13.30 | 0.215 | 5.46 |
| 4 | 125 | 41740 | 0.0328 | 21.15 | 0.269 | 6.83 |
| 2 | 170 | 66360 | 0.0521 | 33.62 | 0.337 | 8.56 |
| 1 | 195 | 83690 | 0.0657 | 42.41 | 0.376 | 9.55 |
| 1/0 | 230 | 105600 | 0.0829 | 53.50 | 0.423 | 10.74 |
| 2/0 | 265 | 133100 | 0.1045 | 67.43 | 0.508 | 12.90 |
| 3/0 | 310 | 167800 | 0.1318 | 85.01 | 0.576 | 14.63 |
| 4/0 | 360 | 211600 | 0.1662 | 107.2 | 0.645 | 16.38 |
| 250 | 405 | 250000 | 0.1964 | 126.7 | 0.713 | 18.11 |
| 300 | 445 | 300000 | 0.2356 | 152.0 | 0.768 | 19.51 |
| 500 | 620 | 500000 | 0.3927 | 253.4 | 0.997 | 25.32 |
| 750 | 785 | 750000 | 0.5891 | 380.0 | 1.207 | 30.66 |
| 1000 | 935 | 1000000 | 0.7854 | 506.7 | 1.404 | 35.66 |