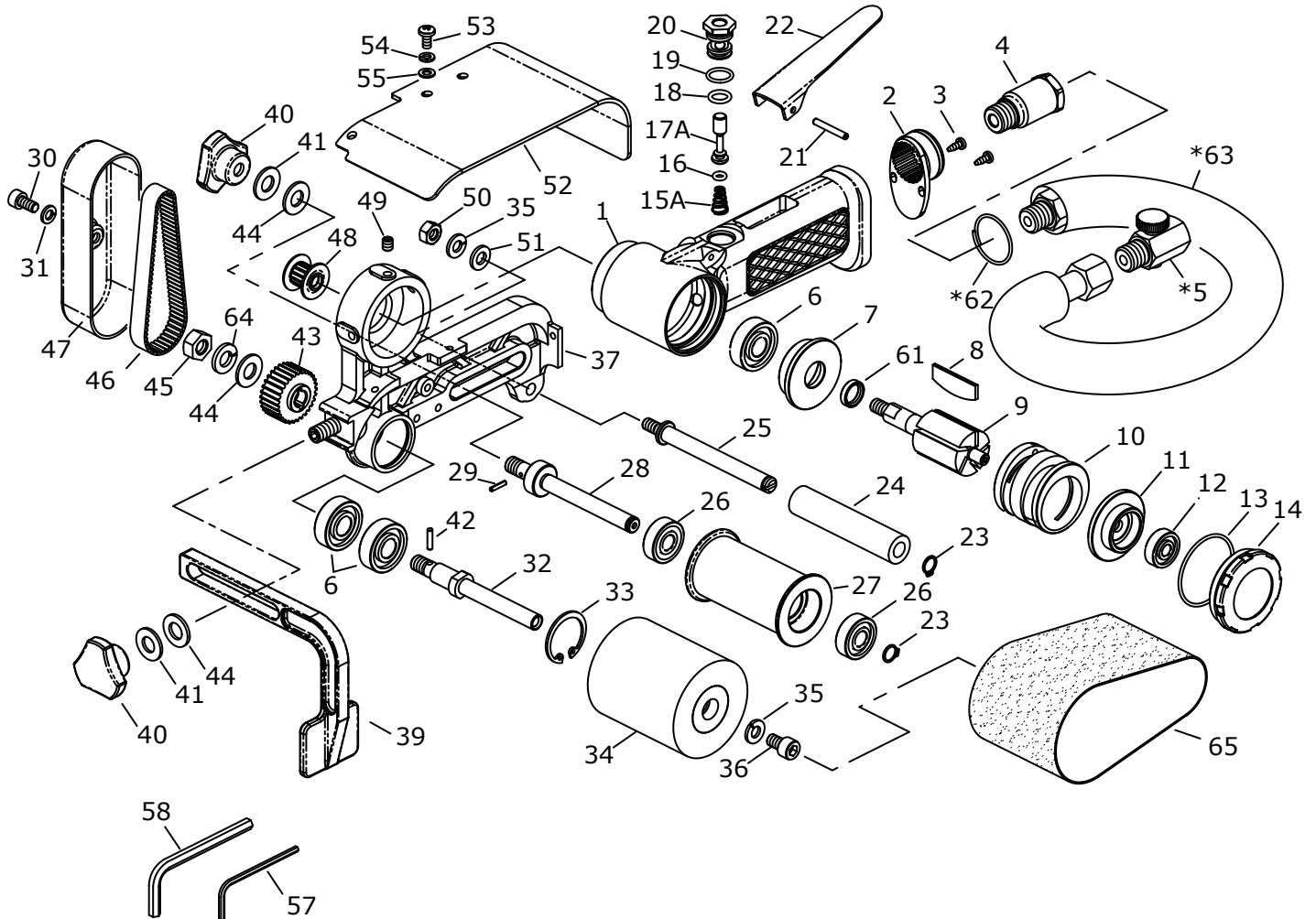


Technical Details	Speed RPM	Sanding Paper (mm)	Weight kg/lb	Air Consumption l/min / CFM	Air Inlet inch	Noise (DB) LpA LwA	Uncertainty(DB) KpA KwA	Vibration m/s ²	Working Pressure Bar / PSI
55060J	7,000	60 x 260	1.1 (2.4)	250 (8.8)	1/4"	--	--	--	6.2 (90)



Index No.	Description	Quantity	Index No.	Description	Quantity	Index No.	Description	Quantity
1	Motor Housing	1	22	Valve Lever	1	44	Washer	3
2	Deflector	1	23	Snap Ring	2	45	Nut	1
3	Tap Screw	2	24	Level Roller	1	46	Belt	1
4	Inlet Bushing	1	25	Level Shaft	1	47	Belt Cover	1
*5	Regulator Set	1	26	Ball Bearing	2	48	Pulley	1
6	Ball Bearing	3	27	Idle Roller	1	49	Screw	3
7	Front End Plate	1	28	Idle Shaft	1	50	Nut	1
8	Rotor Blade	5	29	Spring Pin	1	51	Washer	1
9	Rotor	1	30	Cap Screw	1	52	Wheel Cover	1
10	Cylinder	1	31	Spring Washer	1	53	Screw	3
11	Rear End Plate	1	32	Drive Shaft	1	54	Spring Washer	3
12	Ball Bearing	1	33	Snap Ring	1	55	Washer	3
13	O-Ring	1	34	Drive Roller	1	57	Hex. Wrench	1
14	Motor Nut	1	35	Spring Washer	2	58	Hex. Wrench	1
15A	Spring	1	36	Cap Screw	1	61	Spacer	1
16	O-Ring	1	37	Frame	1	*62	Hose Clip	1
17A	Valve Stem	1	39	Spacer	1	*63	Inlet / Muffle Hose Set	1
18	O-Ring	1	40	Knob	2	64	Spring Washer	1
19	O-Ring	1	41	Washer	2	65	Abrasive Belt	1
20	Valve Pin Sleeve	1	42	Needle Roller	1			
21	Spring Pin	1	43	Pulley	1			

* Due to our continuous improvement, all specifications are subject to change without prior notice.