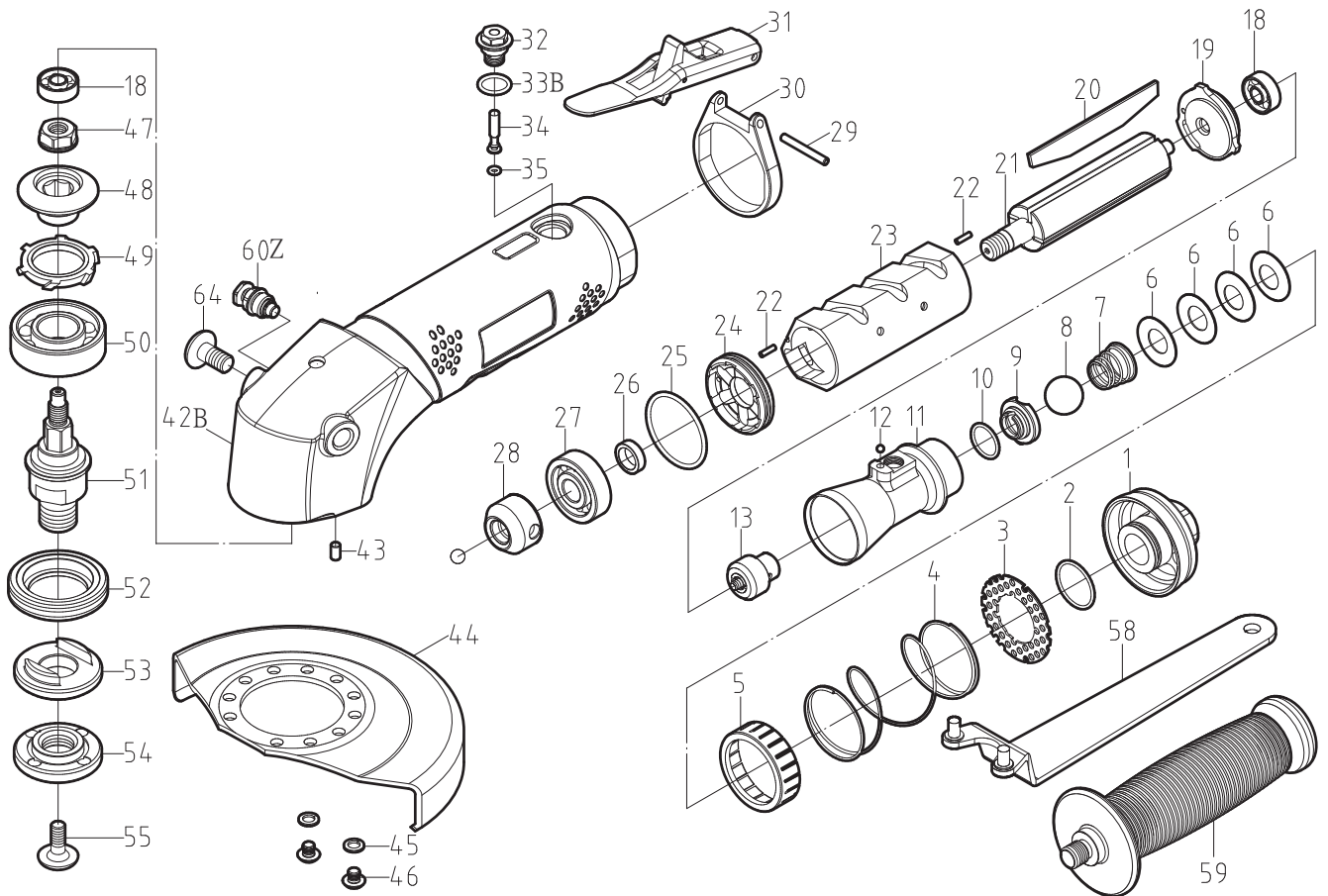


Technical Details	Speed RPM	Wheel mm/inch	Spindle Size	Power KW/HP	Length mm/inch	Weight kg/lb	Air Consumption LPM / CFM	Air Inlet inch	Working Pressure Bar / PSI
75033R	12,000	125 (5)	M14-2 (5/8-11)	1.7 (2.3)	234 (9.2)	1.8 (4.0)	195 (6.9)	3/8	6.3 (90)



Index No.	Description	Quantity	Index No.	Description	Quantity	Index No.	Description	Quantity
1	Air Inlet	1	22	Spring Pin	2	45	Spring Washer	2
2	O-Ring	1	23	Cylinder	1	46	Screw	2
3	Exhaust Deflector	1	24	Front Plate	1	47	Lock Nut	1
4	Spring	1	25	O-Ring	1	48	Bevel Gear	1
5	Bushing	1	26	Washer	1	49	Washer	1
6	Washer	4	27	Ball Bearing	1	50	Ball Bearing	1
7	Cone Spring	1	28	Driving Gear Spindle	1	51	Anvil	1
8	Steel Ball	1	29	Spring Pin	1	52	Cylinder Set Screw	1
9	Washer	1	30	Bolt Hoilder	1	53	Bushing	1
10	O-Ring	1	31	Trigger	1	54	Lock Nut	1
11	Reverse Valve	1	32	Screw	1	55	Screw	1
12	Steel Ball	1	33B	O-Ring	1	58	Wrench	1
13	Regulator Valve Set	1	34	Pin Valve Rod	1	59	Handle	1
18	Ball Bearing	2	35	O-Ring	1	60Z	Lock Pin Set	1
19	Rear Plate	1	42B	Housing	1	64	Screw	1
20	Blade	4	43	Pin	1			
21	Rotor	1	44	Wheel Guard	1			