

ARIEL 60 X (frameset)

£1,799.99

SARACEN



SPECS

FRAME	
SIZES	SM / MD / LG / XL
COLOUR	BLACK IRIDESCENT
FRAME	SERIES 3 CUSTOM BUTTED AND HYDROFORMED 6013 ALLOY FRONT TRIANGLE AND SWINGARM / 160MM TRAVEL
FORK	RECCOMENDED TRAVEL - 160MM
REAR-SHOCK	FOX FLOAT X2 FACTORY
HEADSET	PRESTINE PT-F13
COMPONENTS	
HANDLEBARS	N/A
STEM	N/A
GRIPS	N/A
SADDLE	N/A
SEATPOST	N/A
DRIVE TRAIN	
SHIFTERS	N/A
REAR-DERAILLEUR	N/A
FRONT-DERAILLEUR	N/A
CHAINSET	N/A
CHAIN	N/A
CASSETTE	N/A
BRAKES	N/A
BRAKE-LEVERS	N/A
WHEELS	
RIMS	N/A
HUBS	N/A
SPOKES	N/A
TYRES	N/A

FEATURES

- Series 3 custom butted and hydroformed 6013 alloy front triangle and swingarm, signature TRL suspension design, internal cable routing, 12 x 157mm SuperBoost, 160mm travel
- Shock: Fox Float X2 Factory, 2 position adjust, Kashima, 230 x 65
- Included in the box: Headset, Seat clamp, Chainstay Protectors, Rear Axle and Dropout
- Extra: This Saracen Ariel model includes the extra Push Links that allow you to change the rear wheel size of your bike. (SM/MD includes a 29 link – LG/XL includes a 27.5 link)
- 1 bottle mount (550ml)

GEOMETRY

SIZE	S	M	L	XL
SEAT TUBE (MM)	360	410	460	510
TOP TUBE (MM)	603	624	652	680
REACH (MM)	455	480	505	530
STACK (MM)	618	623	636	650
HEAD TUBE (MM)	105	110	125	140
HEAD ANGLE (°)	64.6	64.6	64.6	64.6
SEAT ANGLE (°)	76.5	76.5	76.5	76.5
BOTTOM BRACKET TO SADDLE (MM)	690	740	790	840
EFFECTIVE SEAT ANGLE (°)	76.4	76	75.7	75.4
ACTUAL SEAT ANGLE (°)	71.5	71.5	71.5	71.5
CHAINSTAY (MM)	440	440	440	440
BOTTOM BRACKET DROP (MM)	27	27	27	27
BOTTOM BRACKET (MM)	350	350	350	350
WHEELBASE (MM)	1220	1247	1278	1310
HEAD SET	ZS44/ZS56	ZS44/ZS56	ZS44/ZS56	ZS44/ZS56
LOWER STACK HEIGHT (MM)	2.9	2.9	2.9	2.9
AXLE TO CROWN (MM)	571	571	571	571
OFFSET (MM)	43	43	43	43
STANDOVER (MM)	735	735	736	736

The image above is for illustration purposes only. Saracen reserves the right to change spec, colour, features and price without prior warning.

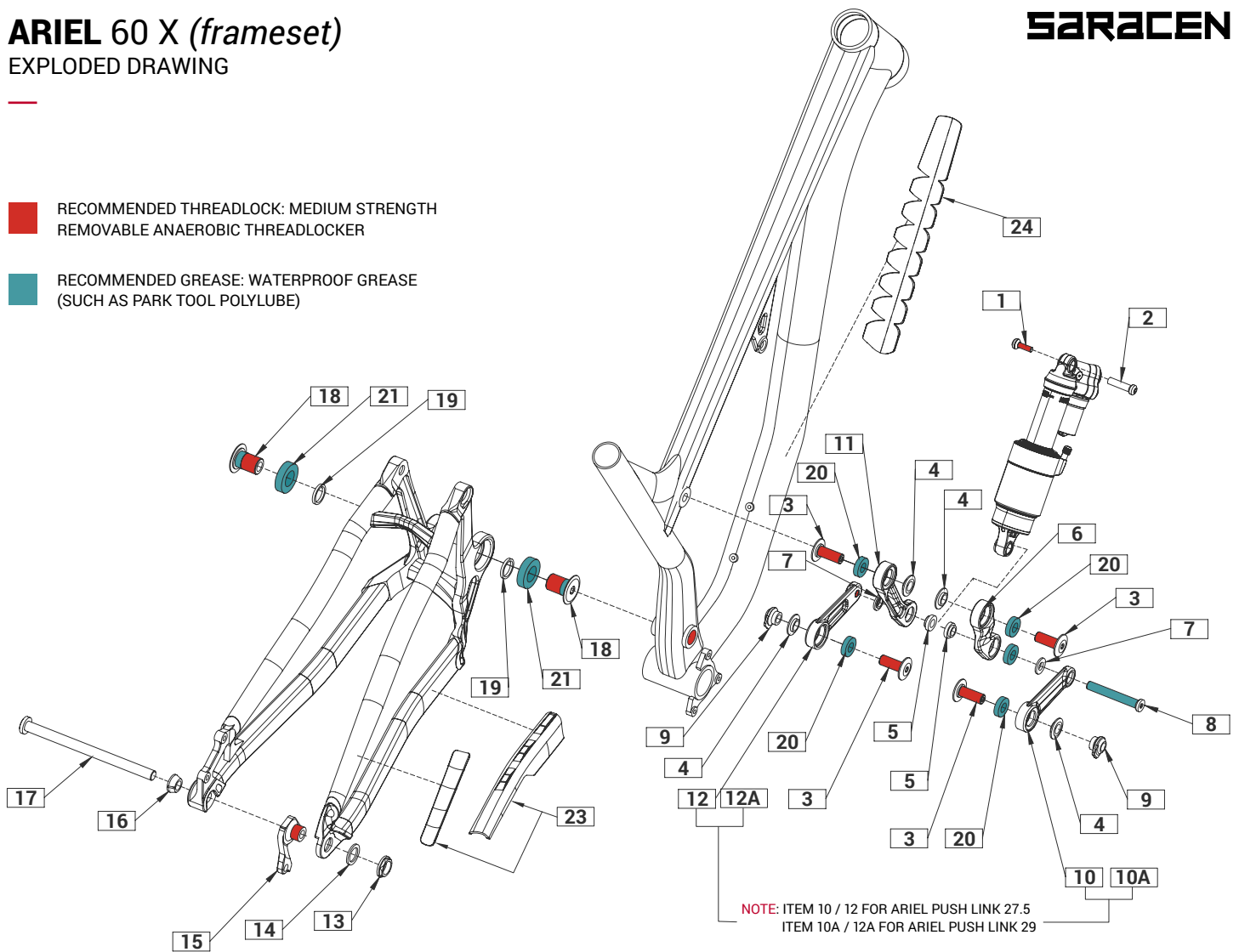
ARIEL 60 X (frameset)

EXPLODED DRAWING

SARACEN

**RECOMMENDED THREADLOCK: MEDIUM STRENGTH
REMOVABLE ANAEROBIC THREADLOCKER**

**RECOMMENDED GREASE: WATERPROOF GREASE
(SUCH AS PARK TOOL POLYLUBE)**



ITEM	PART NUMBER	DESCRIPTION	QTY NEEDED	TORQUE	NOTES
1 & 2	RNSPR50008	ARIEL UPPER SHOCK BOLT	1	9NM	PART NUMBER INCLUDES ITEM 1 & 2
3	RNSPR50006	ARIEL LINKAGE AXLE (PAIR)	4	15NM	-
4	RNSPR50007	ARIEL LINKAGE SPACER (PAIR)	4	-	-
5	RNSPR50005	ARIEL INNER SHOCK SPACERS (PAIR)	2	-	-
6 & 11	RNSPR50002	ARIEL ROCKER LINK ARMS (PAIR)	1	-	PART NUMBER INCLUDES ITEM 6 & 11
7	RNSPR50004	ARIEL OUTER SHOCK SPACERS (PAIR)	2	-	-
8	RNSPR50003	ARIEL LOWER SHOCK BOLT	1	10NM	-
9	RNSPR50009	ARIEL SWING ARM THREADED INSERT (PAIR)	2	-	-
10 & 12	RNSPR50000	ARIEL PUSH LINK 27.5 (PAIR)	1	-	PART NUMBER INCLUDES ITEM 10 & 12
10A + 12A	RNSPR50001	ARIEL PUSH LINK 29 (PAIR)	1	-	PART NUMBER INCLUDES ITEM 10A & 12A
13 & 15	RNS4049	ARIEL NON-DIRECT HANGER + NUT	1	20NM	PART NUMBER INCLUDES ITEM 13 & 15
13 & 15	RNS4047	ARIEL DIRECT HANGER + NUT	1	20NM	PART NUMBER INCLUDES ITEM 13 & 15
14	RNSPR50010	ARIEL HANGER WASHER	1	-	-
16	RNSPR50011	ARIEL AXLE TAPER WASHER	1	-	-
17	RNSPR50012	ARIEL 157 REAR AXLE	1	15NM	-
18 & 19	RNS5224	ARIEL MAIN AXLE BOLTS + SPACERS (PAIR)	2	36NM	PART NUMBER INCLUDES ITEM 18 & 19
20	N/A	ARIEL LINKAGE BEARINGS 6902.RS	4	-	-
21	N/A	ARIEL MAIN PIVOT BEARINGS 6904.RS	2	-	-
22	N/A	ARIEL LINKAGE BEARINGS 6900.RS	2	-	-
23	RNSPR50016	ARIEL CHAINSTAY PROTECTOR	1	-	-
24	RNSPR50018	ARIEL DOWNTUBE PROTECTOR	1	-	-

ARIEL 60 X (frameset)

TECHNICAL INFORMATION

SARACEN

MODEL	ARIEL 60 X
FRAME MATERIAL	AL-6013
REAR TRAVEL	160MM
SHOCK LENGTH / STROKE	230MM X 65MM
SHOCK SAG	17MM - 19.5MM
SAG EYE TO EYE	213MM - 211.5MM
PIGGY BACK COMPATIBLE	YES
FRAME SHOCK BUSHING	22MM X 8MM
LINKAGE SHOCK BUSHING	22MM X 10MM
RECOMMENDED / MAX FORK LENGTH	571MM / 581MM
OFFSET	42MM - 44MM
RECOMMENDED / MAX FORK TRAVEL	29": 160MM / 170MM
MAXIMUM TYRE	29 X 2.6" / 27.5 X 2.6"
BRAKE MOUNT TYPE	IS160
MAX REAR ROTOR	200MM
SEAT POST	30.9MM
SEAT COLLAR	34.9MM
BOTTOM BRACKET TYPE	BSA73
ISCG	05
CRANK CHAINLINE	SUPER BOOST
MAX CHAIN RING	38T
REAR HUB TYPE	12 X 157



FOX SUSPENSION

SETUP GUIDE

Fox Float X2 / 230mm x 65mm

RIDER WEIGHT (LBS)	RIDER WEIGHT (KGS)	PRESSURE (PSI)	SAG (%)	SAG (MM)	LSR (CLICKS)	HSR (CLICKS)	LSC (CLICKS)	HSC (CLICKS)
90	41	105	25-30%	16-19MM	15-17	7-8	16-18	7-8
110	50	130	25-30%	16-19MM	12-14	5-6	14-16	6-7
130	59	160	25-30%	16-19MM	9-11	4-5	13-15	6-7
150	68	180	25-30%	16-19MM	7-9	3-4	11-13	5-6
170	77	210	25-30%	16-19MM	6-8	3-4	8-10	4-5
190	86	235	25-30%	16-19MM	4-6	2-3	6-8	4-5
210	95	260	25-30%	16-19MM	2-4	1-2	2-4	3-4
230	104	290	25-30%	16-19MM	1-3	0-1	1-3	2-3

NOTE: ALL CLICKS ARE FROM FULLY CLOSED POSITION

The image above is for illustration purposes only. Saracen reserves the right to change spec, colour, features and price without prior warning.