



SPECS

| FRAME | |
|------------------|--|
| SIZES | SM / MD / LG / XL |
| COLOUR | BLACK |
| FRAME | SERIES 3 CUSTOM BUTTED AND HYDROFORMED 6013 ALLOY FRONT TRIANGLE AND SWINGARM / INTERGRATED BATTERY AND MOTOR MOUNT / 150MM TRAVEL |
| FORK | FOX 38-E FACTORY / 160MM TRAVEL |
| REAR-SHOCK | FOX DHX2 FACTORY |
| HEADSET | PRESTINE PTF-13 |
| COMPONENTS | |
| HANDLEBARS | RACEFACE NEXT R 35 / 780MM / 35MM |
| STEM | RACEFACE TURBINE R 35 / 40MM |
| GRIPS | ODI ELITE MOTION |
| SADDLE | SARACEN CUSTOM CRMO E-MTB |
| SEATPOST | KS LEV INTEGRA / 150MM TRAVEL (125MM ON S SIZE) / 30.9MM |
| PEDALS | ALLOY MTB |
| DRIVE TRAIN | |
| SHIFTERS | SHIMANO XT M8100 / 1 X 12 SPEED |
| REAR-DERAILLEUR | SHIMANO XT M8100 / 12 SPEED |
| FRONT-DERAILLEUR | N/A |
| CHAINSET | SHIMANO XT FC-M8150 / 34T / 165MM |
| CHAIN | KMC E12 |
| CASSETTE | SHIMANO XT M8100 / 12 SPEED / 10-51T |
| BRAKES | SHIMANO M8120 203/203MM |
| BRAKE-LEVERS | SHIMANO M8100 |
| DRIVE UNIT | SHIMANO EP-800 / MID SHIP POSITION / ASSISTANCE UP TO 25KM/H |
| BATTERY | DARFON 720WH |
| WHEELS | |
| RIMS | DT SWISS HX 531 / 32H / 29" FRONT / 29" REAR (SIZES LG / XL) 29" FRONT / 27.5" REAR (SIZES SM / MD) |
| HUBS | SHIMANO XT BOOST 15X110 32H FRONT / SHIMANO XT SUPERBOOST 12 X 157 32H REAR |
| SPOKES | DOUBLE-BUTTED STAINLESS STEEL |
| TYRES | MAXXIS MINION DHRII / EXO / TR / 29 X 2.4 FRONT & REAR (SIZES LG / XL) / 29 X 2.4 FRONT / 27.5 X 2.3 REAR (SIZES SM / MD) |

FEATURES

- Series 3 custom butted and hydroformed 6013 alloy front triangle and swingarm, Intergrated battery and motor mount, signature TRL suspension design, internal cable routing, 12x157mm, 150mm travel
- Motor: Shimano MTB EP800 STEPS drive unit with built in Darfon 720WH battery
- Shock: Fox Float DHX2 Factory, 2 position adjust, SLS Spring, 230 x 65
- Fork: Fox 38-E Factory, 160mm travel, HSC LSC HSR LSR Adjust, Grip 2 Damper, 15x110 Boost
- Drivetrain: Shimano XT M8100 12 Speed, 10-51T
- Brakes: Shimano M8120 calipers with M8100 Deore levers
- Components: Raceface Next R 35 bar and Turbine R 35 stem, ODI grips, KS LEV Integra dropper post
- Tubeless ready

GEOMETRY

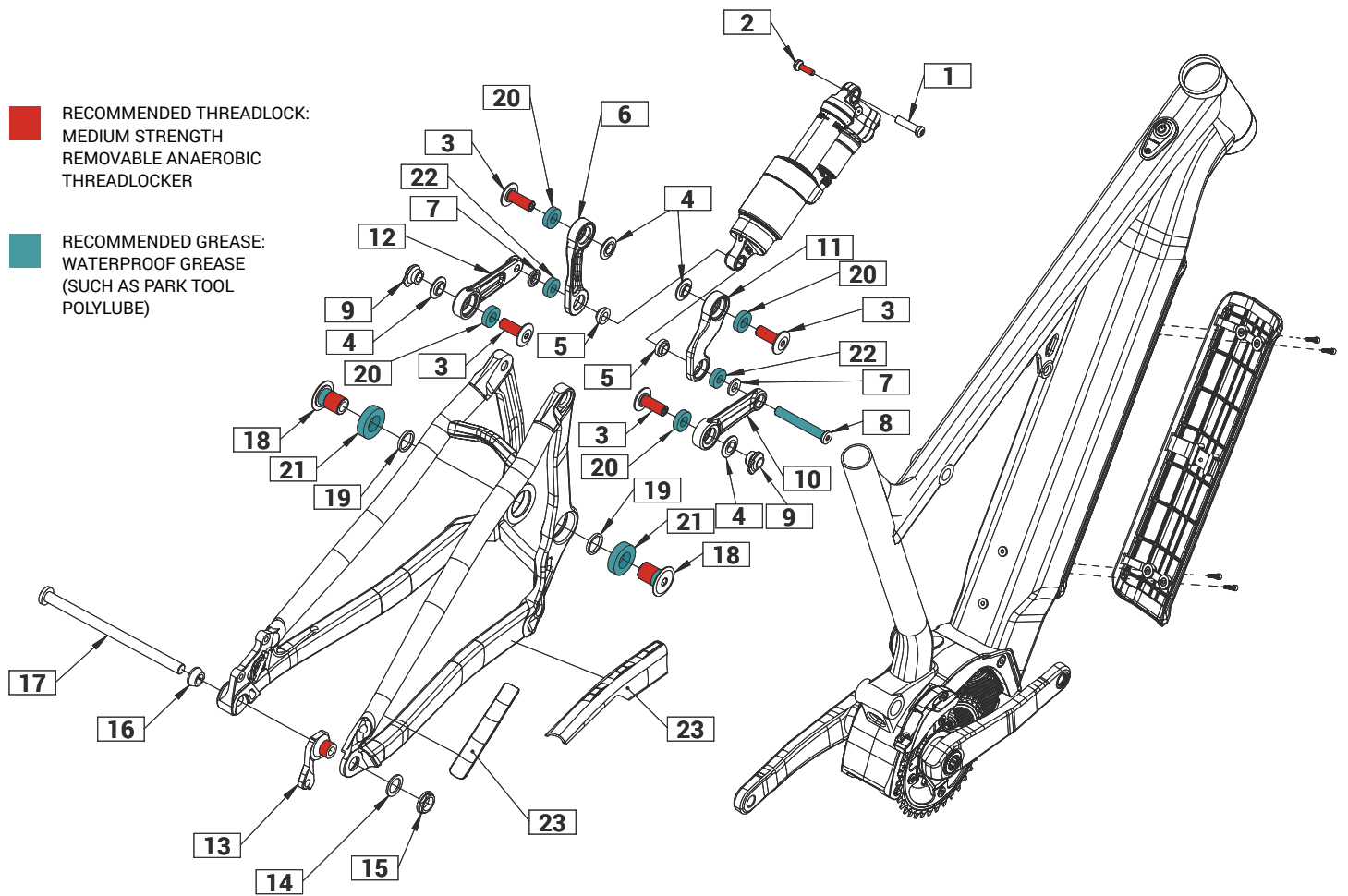
| SIZE | S | M | L | XL |
|-------------------------------|-----------|-----------|-----------|-----------|
| SEAT TUBE (MM) | 370 | 410 | 460 | 510 |
| TOP TUBE (MM) | 612 | 637 | 665 | 688 |
| REACH (MM) | 455 | 480 | 505 | 525 |
| STACK (MM) | 632 | 632 | 641 | 655 |
| HEAD TUBE (MM) | 115 | 115 | 125 | 140 |
| HEAD ANGLE (°) | 65 | 65 | 65 | 65 |
| SEAT ANGLE (°) | 76 | 76 | 76 | 76 |
| BOTTOM BRACKET TO SADDLE (MM) | 690 | 740 | 790 | 840 |
| EFFECTIVE SEAT ANGLE (°) | 76.3 | 76.1 | 76 | 75.9 |
| ACTUAL SEAT ANGLE (°) | 73.8 | 73.8 | 73.8 | 73.8 |
| CHAINSTAY (MM) | 465 | 465 | 465 | 465 |
| BOTTOM BRACKET DROP (MM) | 25 | 25 | 25 | 25 |
| BOTTOM BRACKET (MM) | 350 | 350 | 350 | 350 |
| WHEELBASE (MM) | 1250 | 1275 | 1304 | 1330 |
| HEAD SET | ZS44/ZS56 | ZS44/ZS56 | ZS44/ZS56 | ZS44/ZS56 |
| LOWER STACK HEIGHT (MM) | 2.9 | 2.9 | 2.9 | 2.9 |
| AXLE TO CROWN (MM) | 571 | 571 | 571 | 571 |
| OFFSET (MM) | 43 | 43 | 43 | 43 |
| STANDOVER (MM) | 794 | 794 | 793 | 793 |

The image above is for illustration purposes only. Saracen reserves the right to change spec, colour, features and price without prior warning.

ARIEL E50 ELITE

EXPLODED DRAWING

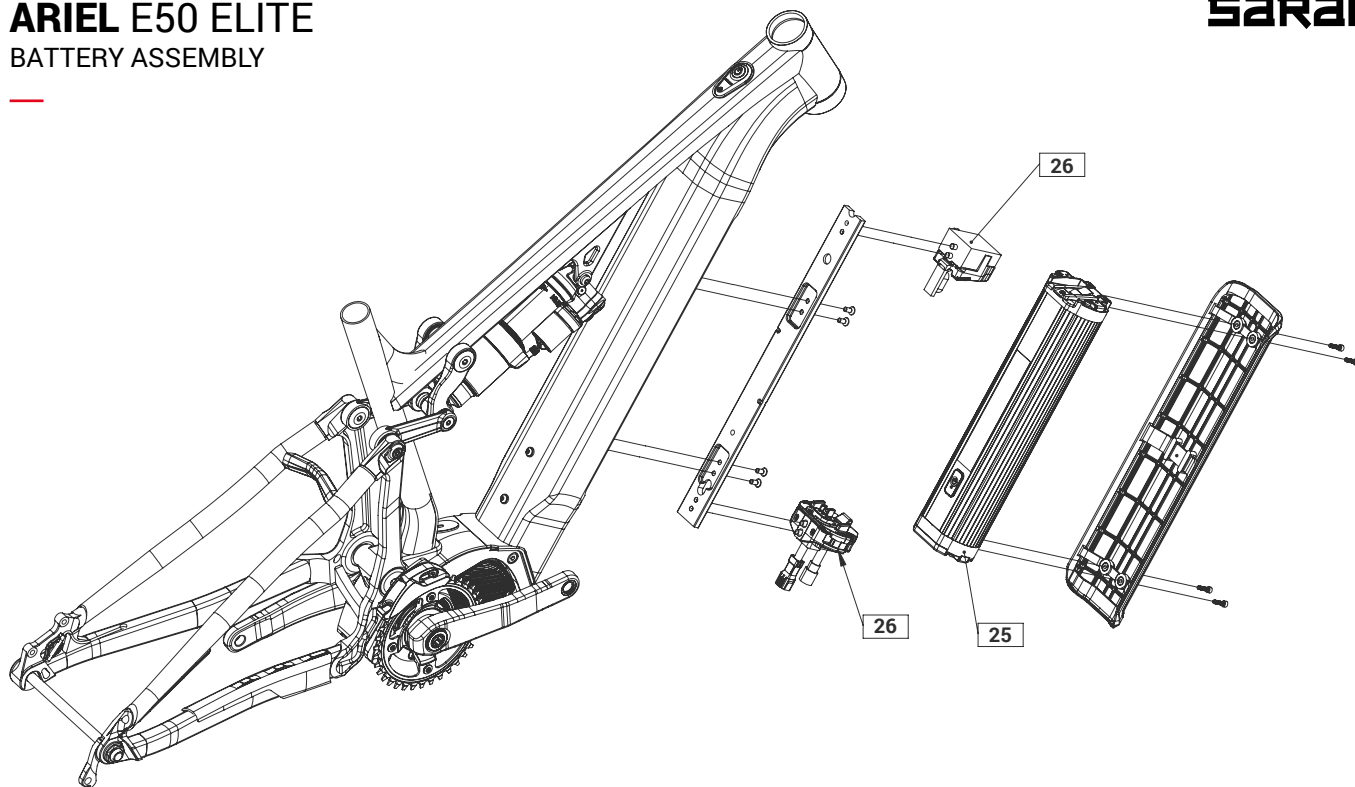
SARACEN



| ITEM | PART NUMBER | DESCRIPTION | QTY NEEDED | TORQUE | NOTES |
|-----------|-------------|--|------------|--------|-------------------------------------|
| 1 & 2 | RNSPR50008 | ARIEL UPPER SHOCK BOLT | 1 | 9NM | PART NUMBER INCLUDES ITEM 1 & 2 |
| 3 | RNSPR50006 | ARIEL LINKAGE AXLE (PAIR) | 4 | 15NM | - |
| 4 | RNSPR50007 | ARIEL LINKAGE SPACER (PAIR) | 4 | - | - |
| 5 | RNSPR50005 | ARIEL INNER SHOCK SPACERS (PAIR) | 2 | - | - |
| 6 & 11 | RNSPR50002 | ARIEL ROCKER LINK ARMS (PAIR) | 1 | - | PART NUMBER INCLUDES ITEM 6 & 11 |
| 7 | RNSPR50004 | ARIEL OUTER SHOCK SPACERS (PAIR) | 2 | - | - |
| 8 | RNSPR50003 | ARIEL LOWER SHOCK BOLT | 1 | 10NM | - |
| 9 | RNSPR50009 | ARIEL SWING ARM THREADED INSERT (PAIR) | 2 | - | - |
| 10 & 12 | RNSPR50000 | ARIEL PUSH LINK 27.5 (PAIR) | 1 | - | PART NUMBER INCLUDES ITEM 10 & 12 |
| 10A + 12A | RNSPR50001 | ARIEL PUSH LINK 29 (PAIR) | 1 | - | PART NUMBER INCLUDES ITEM 10A & 12A |
| 13 & 15 | RNS4049 | ARIEL NON-DIRECT HANGER + NUT | 1 | 20NM | PART NUMBER INCLUDES ITEM 13 & 15 |
| 13 & 15 | RNS4047 | ARIEL DIRECT HANGER + NUT | 1 | 20NM | PART NUMBER INCLUDES ITEM 13 & 15 |
| 14 | RNSPR50010 | ARIEL HANGER WASHER | 1 | - | - |
| 16 | RNSPR50011 | ARIEL AXLE TAPER WASHER | 1 | - | - |
| 17 | RNSPR50012 | ARIEL 157 REAR AXLE | 1 | 15NM | - |
| 18 & 19 | RNS5224 | ARIEL MAIN AXLE BOLTS + SPACERS (PAIR) | 2 | 36NM | PART NUMBER INCLUDES ITEM 18 & 19 |
| 20 | N/A | ARIEL LINKAGE BEARINGS 6901.RS | 4 | - | - |
| 21 | N/A | ARIEL MAIN PIVOT BEARINGS 6904.RS | 2 | - | - |
| 22 | N/A | ARIEL LINKAGE BEARINGS 6900.RS | 2 | - | - |
| 23 | RNSPR50016 | ARIEL CHAINSTAY PROTECTOR | 1 | - | - |

ARIEL E50 ELITE

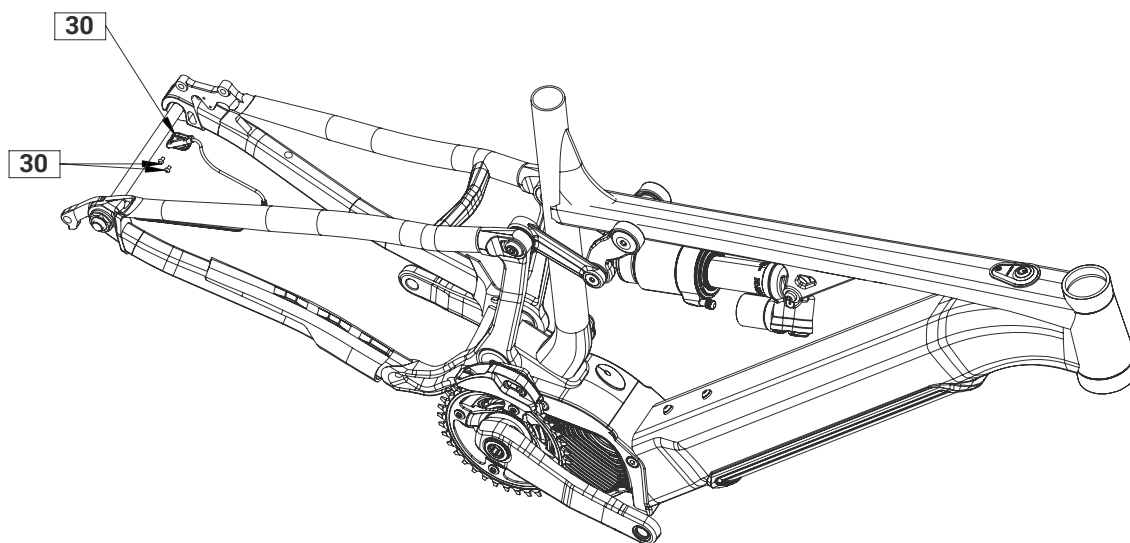
BATTERY ASSEMBLY



| ITEM | PART NUMBER | DESCRIPTION | QTY NEEDED | TORQUE | NOTES |
|------|-------------|-----------------------------------|------------|--------|-------|
| 25 | - | DARFON EK.A4COG.OS1 720WH | 1 | - | |
| 26 | - | DARFON BATTERY 5J.E4COG.OA2 MOUNT | 1 | - | |

ARIEL E50 ELITE

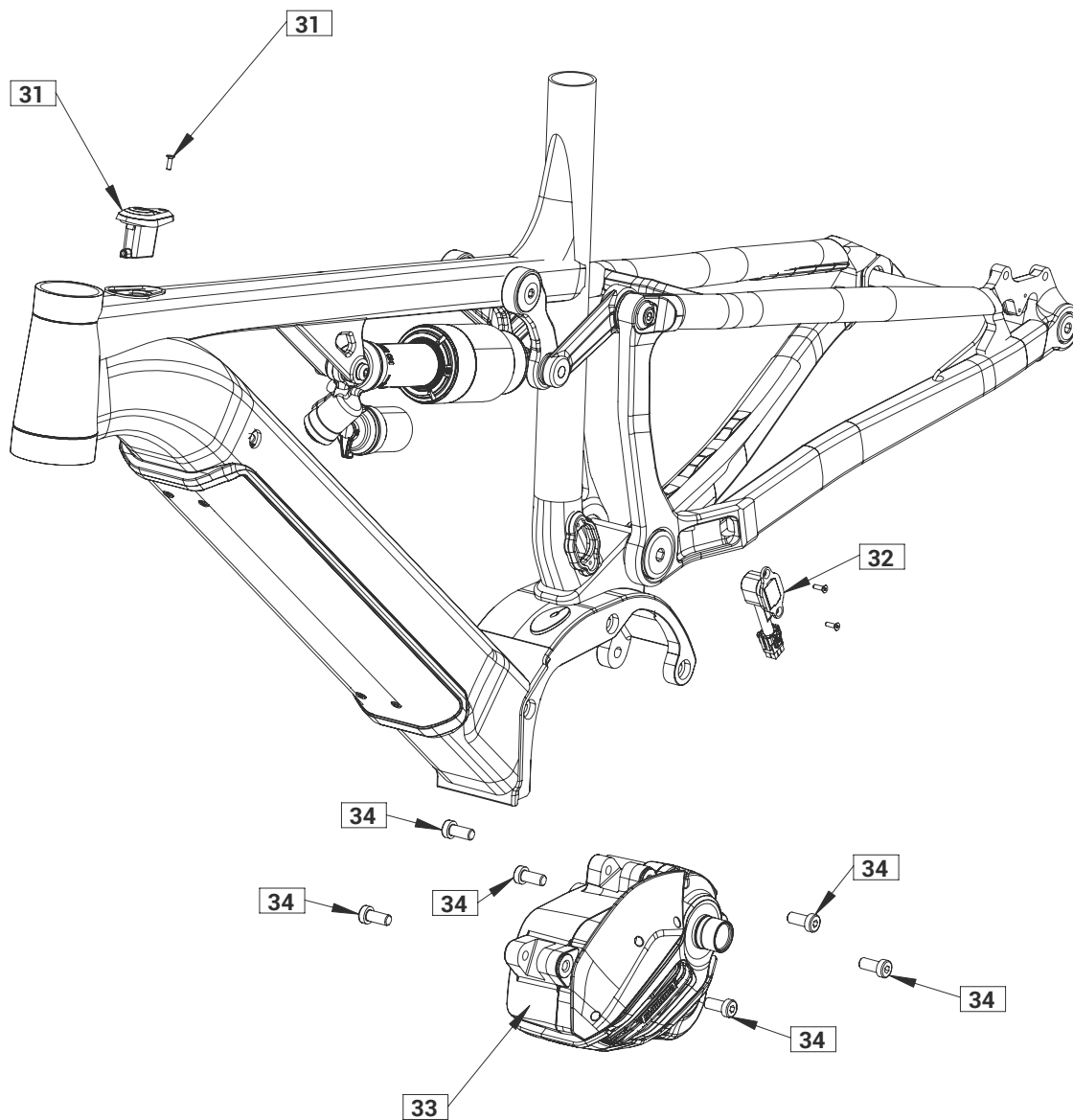
SPEED SENSOR ASSEMBLY



| ITEM | PART NUMBER | DESCRIPTION | QTY NEEDED | TORQUE | NOTES |
|------|-------------|---------------------------|------------|--------|--------------|
| 30 | SMDUE11A | SPRE SMDUE11 SPEED SENSOR | 1 | - | SHIMANO PART |

ARIEL E50 ELITE

DRIVE UNIT EP800



| ITEM | PART NUMBER | DESCRIPTION | QTY NEEDED | TORQUE | NOTES |
|------|-------------|-------------------------------------|------------|--------|--------------|
| 31 | - | DARFON 5J.E4COG.OB2 SATELITE SWITCH | 1 | - | SHIMANO PART |
| 32 | - | DARFON 5J.E4COG.OC1 PORT | 1 | - | SHIMANO PART |
| 33 | DUEP800 | DRIVE UNIT DUEP800 W/O COVER | 1 | - | SHIMANO PART |
| 34 | | | 1 | - | SHIMANO PART |

ARIEL E50 ELITE

TECHNICAL INFORMATION

SARACEN

| MODEL | ARIEL E50 ELITE |
|-------------------------------|---------------------------|
| FRAME MATERIAL | AL-6013 |
| REAR TRAVEL | 150MM |
| SHOCK LENGTH / STROKE | 230MM X 65MM |
| SHOCK SAG | 17MM – 19.5MM |
| SAG EYE TO EYE | 213MM – 211.5 MM |
| PIGGY BACK COMPATIBLE | YES |
| FRAME SHOCK BUSHING | 22MM X 8MM |
| LINKAGE SHOCK BUSHING | 22MM X 10MM |
| RECOMMENDED / MAX FORK LENGTH | 571MM/581MM |
| OFFSET | 42-44MM |
| RECOMMENDED / MAX FORK TRAVEL | 29": 160MM/170MM |
| MAXIMUM TYRE | 29" X 2.6" / 27.5" X 2.6" |
| BRAKE MOUNT TYPE | IS160 |
| MAX REAR ROTOR | 200MM |
| SEAT POST | 30.9MM |
| SEAT COLLAR | 34.9MM |
| BOTTOM BRACKET TYPE | NA |
| ISCG | 05 |
| CRANK CHAINLINE | SUPER BOOST |
| MAX CHAIN RING | 38T |
| REAR HUB TYPE | 12 X 157 |



FOX SUSPENSION

SETUP GUIDE

FOX DHX2 / 230mm x 65mm

| RIDER WEIGHT (LBS) | RIDER WEIGHT (KGS) | PRESSURE (PSI) | SAG (%) | SAG (MM) | LSR (CLICKS) | HSR (CLICKS) | LSC (CLICKS) | HSC (CLICKS) |
|--------------------|--------------------|----------------|---------|----------|--------------|--------------|--------------|--------------|
| 90 | 41 | 250 | 25-30% | 16-19MM | 13-14 | 7-8 | 16-17 | 7-8 |
| 110 | 50 | 300 | 25-30% | 16-19MM | 12-13 | 7-8 | 15-16 | 7-8 |
| 130 | 59 | 350 | 25-30% | 16-19MM | 10-11 | 6-7 | 14-15 | 6-7 |
| 150 | 68 | 400 | 25-30% | 16-19MM | 8-9 | 6-7 | 13-14 | 6-7 |
| 170 | 77 | 450 | 25-30% | 16-19MM | 6-7 | 5-6 | 12-13 | 5-6 |
| 190 | 86 | 500 | 25-30% | 16-19MM | 5-6 | 4-5 | 10-11 | 5-6 |
| 210 | 95 | 550 | 25-30% | 16-19MM | 4-5 | 4-5 | 8-9 | 4-5 |
| 230 | 104 | 600 | 25-30% | 16-19MM | 3-4 | 3-4 | 6-7 | 3-4 |

NOTE: ALL CLICKS ARE FROM FULLY CLOSED POSITION

The image above is for illustration purposes only. Saracen reserves the right to change spec, colour, features and price without prior warning.