



## SPECS

FRAME	
SIZES	SM / MD / LG / XL
COLOUR	RED
FRAME	SERIES 3 CUSTOM BUTTED AND HYDROFORMED 6013 ALLOY FRONT TRIANGLE AND SWINGARM / INTERGRATED BATTERY AND MOTOR MOUNT / 150MM TRAVEL
FORK	MARZOCCHI BOMBER Z1 / 160MM TRAVEL
REAR-SHOCK	FOX FLOAT X PERFORMANCE
HEADSET	PRESTINE PTF13
COMPONENTS	
HANDLEBARS	RACEFACE CHESTER 35 / 780MM / 35MM
STEM	RACEFACE CHESTER 35 / 40MM
GRIPS	ODI ELITE MOTION
SADDLE	SARACEN CUSTOM CRMO E-MTB
SEATPOST	KS RAGE I / 150MM TRAVEL (125MM ON S SIZE) / 30.9MM
PEDALS	ALLOY MTB
DRIVE TRAIN	
SHIFTERS	SHIMANO DEORE M6100 / 1 X 12 SPEED
REAR-DERAILLEUR	SHIMANO SLX M7100 / 12 SPEED
FRONT-DERAILLEUR	N/A
CHAINSET	SHIMANO XT FC-E8000 / 34T / 165MM
CHAIN	KMC E12
CASSETTE	SHIMANO DEORE M6100 / 12 SPEED / 10-51T
BRAKES	SHIMANO M6100 203/203MM
BRAKE-LEVERS	SHIMANO M6100
DRIVE UNIT	SHIMANO E-7000 / MID SHIP POSITION / ASSISTANCE UP TO 25KM/H
BATTERY	FULLY INTERGRATED DARFON 720WH
WHEELS	
RIMS	DT SWISS H552 / 32H / 29" FRONT / 29" REAR (SIZES LG / XL) 29" FRONT / 27.5" REAR (SIZES SM / MD)
HUBS	KT BOOST 15X110 SEALED BEARING 32H FRONT / KT SUPERBOOST 12 X 157 SEALED BEARING 32H REAR
SPOKES	DOUBLE-BUTTED STAINLESS STEEL
TYRES	MAXXIS MINION DHRII / EXO / TR / 29 X 2.4 FRONT & REAR (SIZES LG / XL) / 29 X 2.4 FRONT / 27.5 X 2.4 REAR (SIZES SM / MD)

## FEATURES

- Series 3 custom butted and hydroformed 6013 alloy front triangle and swingarm, Intergrated battery and motor mount, signature TRL suspension design, internal cable routing, 12x157mm, 150mm travel
- Motor: Shimano MTB E7000 STEPS drive unit with built in Darfon 720Wh battery
- Shock: Fox Float X Performance, EVOL, 3 position adjust, 230 x 65
- Fork: Marzocchi Bomber Z1, 160mm travel, rebound adjust, Sweep adjust Grip damper, 15 x 110
- Drivetrain: Shimano SLX M7100 / Deore M6100 12 Speed, 10-51T
- Brakes: Shimano M6100 calipers with M6100 Deore levers
- Components: Raceface Chester 35 bar and stem, ODI grips, KS Rage I dropper post
- Tubeless ready

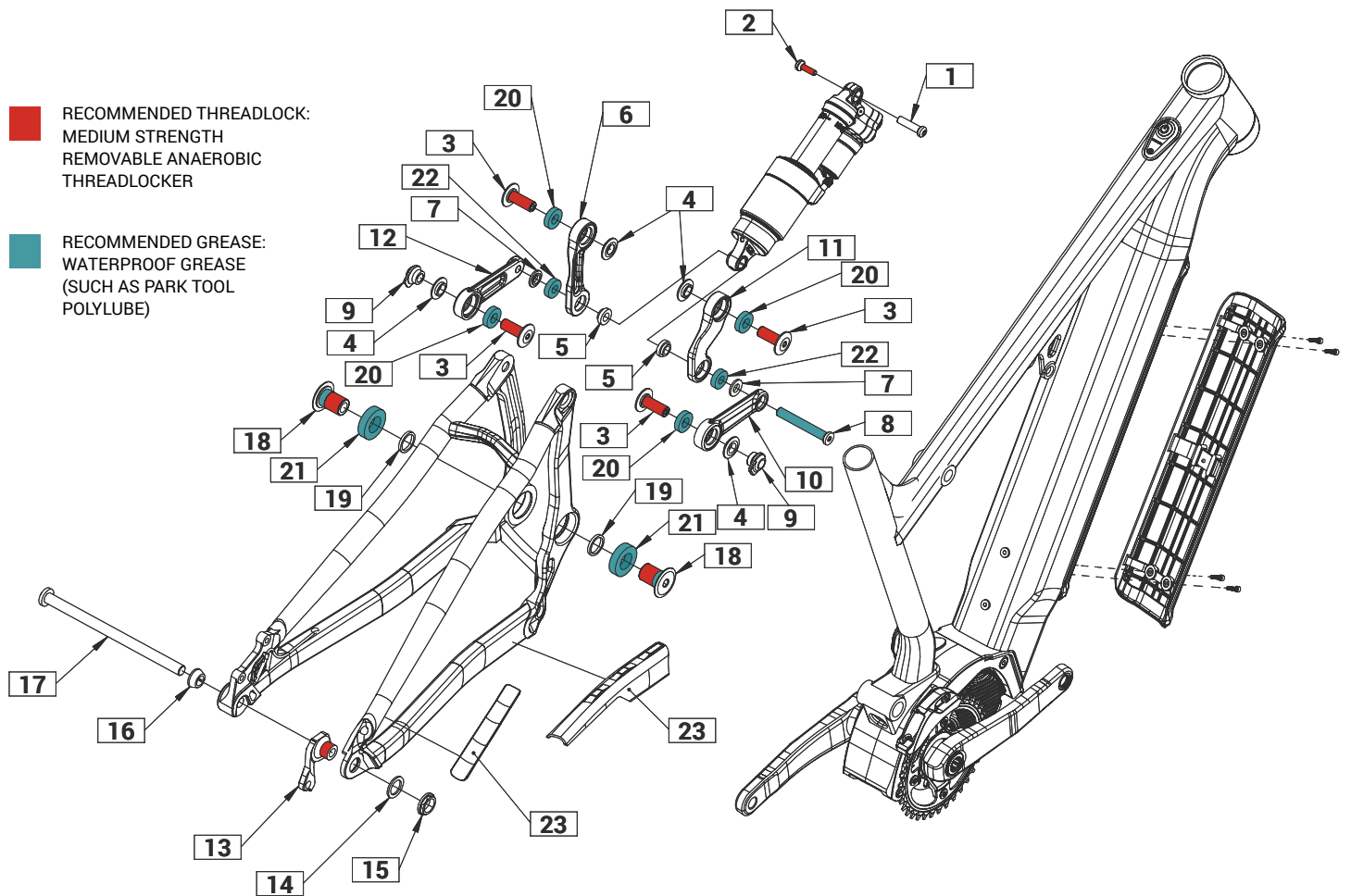
## GEOMETRY

SIZE	S	M	L	XL
SEAT TUBE (MM)	370	410	460	510
TOP TUBE (MM)	612	637	665	688
REACH (MM)	455	480	505	525
STACK (MM)	632	632	641	655
HEAD TUBE (MM)	115	115	125	140
HEAD ANGLE (°)	65	65	65	65
SEAT ANGLE (°)	76	76	76	76
BOTTOM BRACKET TO SADDLE (MM)	690	740	790	840
EFFECTIVE SEAT ANGLE (°)	76.3	76.1	76	75.9
ACTUAL SEAT ANGLE (°)	73.8	73.8	73.8	73.8
CHAINSTAY (MM)	465	465	465	465
BOTTOM BRACKET DROP (MM)	25	25	25	25
BOTTOM BRACKET (MM)	350	350	350	350
WHEELBASE (MM)	1250	1275	1304	1330
HEAD SET	ZS44/ZS56	ZS44/ZS56	ZS44/ZS56	ZS44/ZS56
LOWER STACK HEIGHT (MM)	2.9	2.9	2.9	2.9
AXLE TO CROWN (MM)	571	571	571	571
OFFSET (MM)	43	43	43	43
STANDOVER (MM)	794	794	793	793

The image above is for illustration purposes only. Saracen reserves the right to change spec, colour, features and price without prior warning.

# ARIEL E50

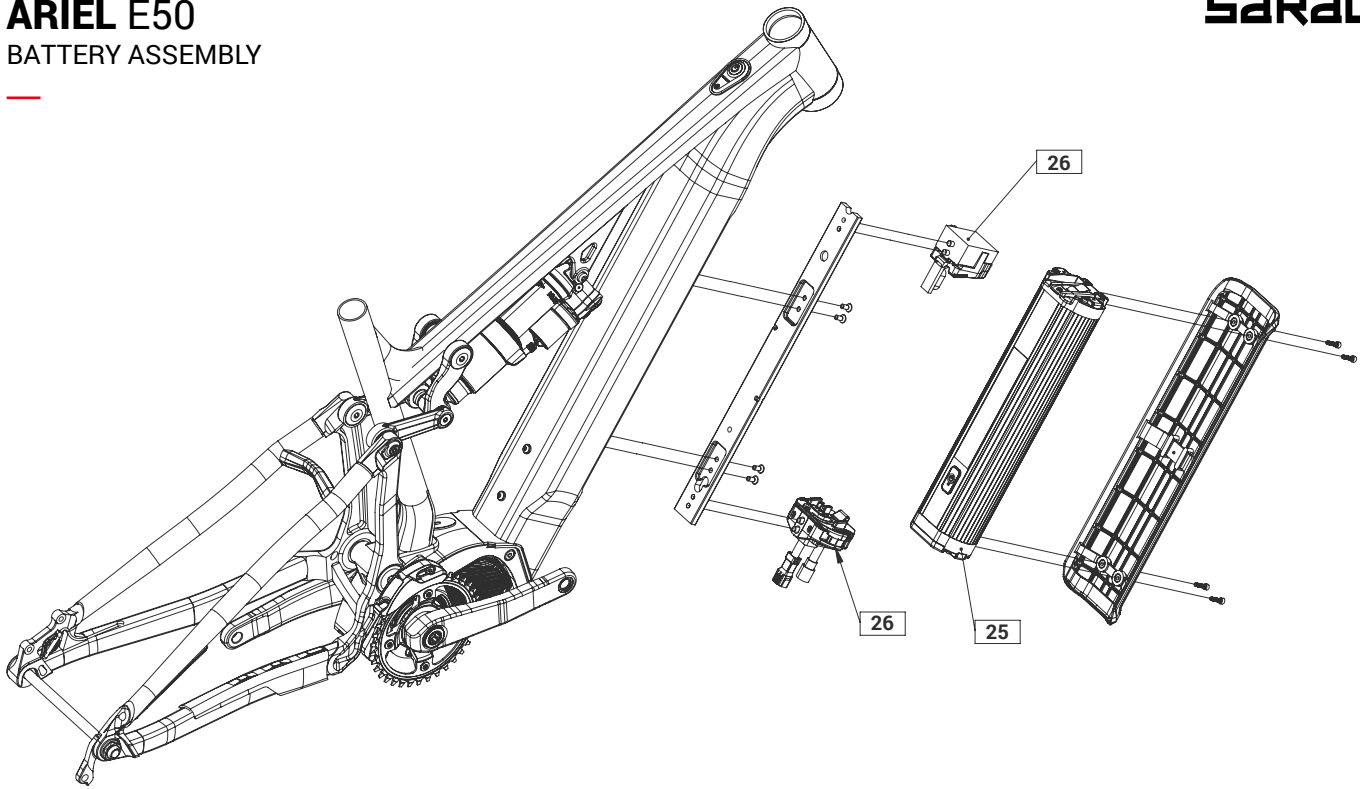
## EXPLODED DRAWING



ITEM	PART NUMBER	DESCRIPTION	QTY NEEDED	TORQUE	NOTES
1 & 2	RNSPR50008	ARIEL UPPER SHOCK BOLT	1	9NM	PART NUMBER INCLUDES ITEM 1 & 2
3	RNSPR50006	ARIEL LINKAGE AXLE (PAIR)	4	15NM	-
4	RNSPR50007	ARIEL LINKAGE SPACER (PAIR)	4	-	-
5	RNSPR50005	ARIEL INNER SHOCK SPACERS (PAIR)	2	-	-
6 & 11	RNSPR50002	ARIEL ROCKER LINK ARMS (PAIR)	1	-	PART NUMBER INCLUDES ITEM 6 & 11
7	RNSPR50004	ARIEL OUTER SHOCK SPACERS (PAIR)	2	-	-
8	RNSPR50003	ARIEL LOWER SHOCK BOLT	1	10NM	-
9	RNSPR50009	ARIEL SWING ARM THREADED INSERT (PAIR)	2	-	-
10 & 12	RNSPR50000	ARIEL PUSH LINK 27.5 (PAIR)	1	-	PART NUMBER INCLUDES ITEM 10 & 12
10A + 12A	RNSPR50001	ARIEL PUSH LINK 29 (PAIR)	1	-	PART NUMBER INCLUDES ITEM 10A & 12A
13 & 15	RNS4049	ARIEL NON-DIRECT HANGER + NUT	1	20NM	PART NUMBER INCLUDES ITEM 13 & 15
13 & 15	RNS4047	ARIEL DIRECT HANGER + NUT	1	20NM	PART NUMBER INCLUDES ITEM 13 & 15
14	RNSPR50010	ARIEL HANGER WASHER	1	-	-
16	RNSPR50011	ARIEL AXLE TAPER WASHER	1	-	-
17	RNSPR50012	ARIEL 157 REAR AXLE	1	15NM	-
18 & 19	RNS5224	ARIEL MAIN AXLE BOLTS + SPACERS (PAIR)	2	36NM	PART NUMBER INCLUDES ITEM 18 & 19
20	N/A	ARIEL LINKAGE BEARINGS 6901.RS	4	-	-
21	N/A	ARIEL MAIN PIVOT BEARINGS 6904.RS	2	-	-
22	N/A	ARIEL LINKAGE BEARINGS 6900.RS	2	-	-
23	RNSPR50016	ARIEL CHAINSTAY PROTECTOR	1	-	-

# ARIEL E50

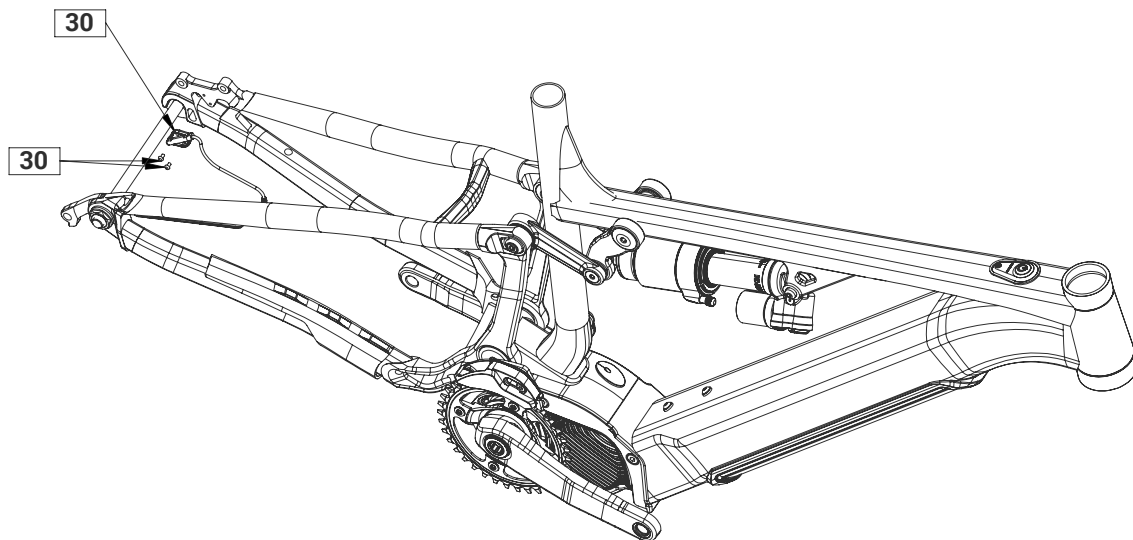
## BATTERY ASSEMBLY



ITEM	PART NUMBER	DESCRIPTION	QTY NEEDED	TORQUE	NOTES
25	-	DARFON EK.A4COG.OS1 720WH	1	-	
26	-	DARFON BATTERY 5J.E4COG.OA2 MOUNT	1	-	

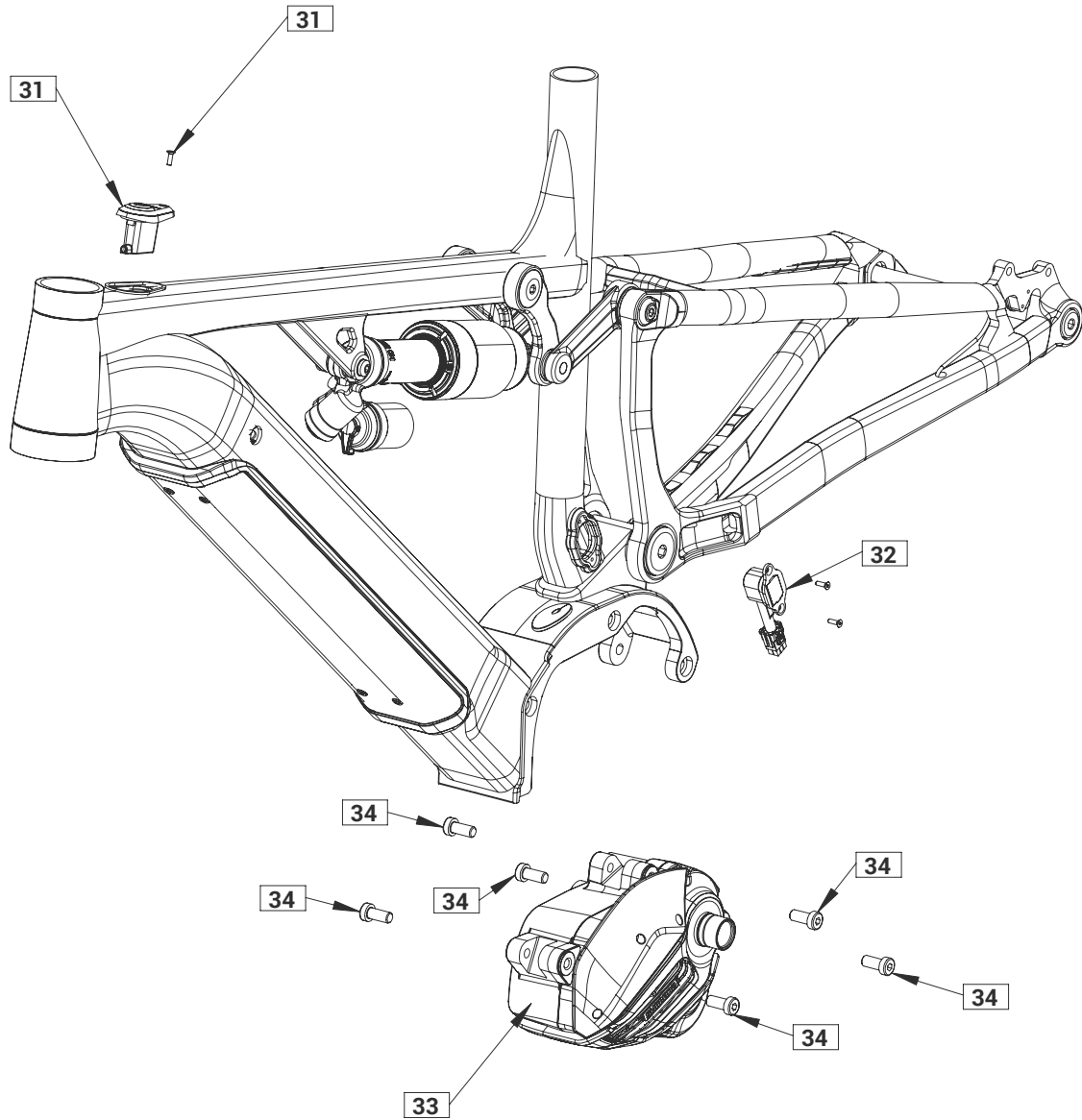
# ARIEL E50

## SPEED SENSOR ASSEMBLY



ITEM	PART NUMBER	DESCRIPTION	QTY NEEDED	TORQUE	NOTES
30	SMDUE11A	SPRE SMDUE11 SPEED SENSOR	1	-	SHIMANO PART

**ARIEL E50**  
DRIVE UNIT EP800



ITEM	PART NUMBER	DESCRIPTION	QTY NEEDED	TORQUE	NOTES
31	-	DARFON 5J.E4COG.OB2 SATELITE SWITCH	1	-	SHIMANO PART
32	-	DARFON 5J.E4COG.OC1 PORT	1	-	SHIMANO PART
33	DUEP800	DRIVE UNIT DUEP800 W/O COVER	1	-	SHIMANO PART
34			1	-	SHIMANO PART

# ARIEL E50

## TECHNICAL INFORMATION

SARACEN

MODEL	ARIEL E50
FRAME MATERIAL	AL-6013
REAR TRAVEL	150MM
SHOCK LENGTH / STROKE	230MM X 65MM
SHOCK SAG	17MM - 19.5MM
SAG EYE TO EYE	213MM - 211.5 MM
PIGGY BACK COMPATIBLE	YES
FRAME SHOCK BUSHING	22MM X 8MM
LINKAGE SHOCK BUSHING	22MM X 10MM
RECOMMENDED / MAX FORK LENGTH	571MM/581MM
OFFSET	42-44MM
RECOMMENDED / MAX FORK TRAVEL	29": 160MM/170MM
MAXIMUM TYRE	29" X 2.6" / 27.5" X 2.6"
BRAKE MOUNT TYPE	IS160
MAX REAR ROTOR	200MM
SEAT POST	30.9MM
SEAT COLLAR	34.9MM
BOTTOM BRACKET TYPE	NA
ISCG	05
CRANK CHAINLINE	SUPER BOOST
MAX CHAIN RING	38T
REAR HUB TYPE	12 X 157



## FOX SUSPENSION

### SETUP GUIDE

#### FOX FLOAT X / 230mm x 65mm

RIDER WEIGHT (LBS)	RIDER WEIGHT (KGS)	PRESSURE (PSI)	SAG (%)	SAG (MM)	LSR (CLICKS)
90	41	105	25-30%	16-19MM	11
110	50	130	25-30%	16-19MM	10
130	59	160	25-30%	16-19MM	8
150	68	180	25-30%	16-19MM	7
170	77	210	25-30%	16-19MM	6
190	86	235	25-30%	16-19MM	5
210	95	260	25-30%	16-19MM	4
230	104	290	25-30%	16-19MM	CLOSED

NOTE: ALL CLICKS ARE FROM FULLY CLOSED POSITION

The image above is for illustration purposes only. Saracen reserves the right to change spec, colour, features and price without prior warning.