



SPECS

FRAME	
SIZES	SM / MD / LG / XL
COLOUR	SAGE GREEN
FRAME	SERIES 3 CUSTOM BUTTED AND HYDROFORMED 6013 ALLOY FRONT TRIANGLE AND SWINGARM / 160MM TRAVEL
FORK	FOX 38 PERFORMANCE ELITE / 160MM TRAVEL
REAR-SHOCK	FOX FLOAT X2 PERFORMANCE ELITE
HEADSET	PRESTINE PTF13
COMPONENTS	
HANDLEBARS	RACEFACE ATLAS 35 / 820MM WIDE / 35MM
STEM	RACEFACE CHESTER 35 / 40MM
GRIPS	ODI ELITE MOTION
SADDLE	SARACEN CUSTOM CRMO MTB
SEATPOST	KS RAGE I / 150MM TRAVEL (125MM ON S SIZE) / 30.9MM
PEDALS	ALLOY MTB
DRIVE TRAIN	
SHIFTERS	SHIMANO SLX M7100 / 1 X 12 SPEED
REAR-DERAILLEUR	SHIMANO XT M8100 / 12 SPEED
FRONT-DERAILLEUR	N/A
CHAINSET	SHIMANO SLX FC-M7130 / 34T / 170MM
CHAIN	KMC X12
CASSETTE	SHIMANO SLX M7100 / 12 SPEED / 10-51T
BRAKES	SHIMANO M7120 203/203MM
BRAKE-LEVERS	SHIMANO M7100
WHEELS	
RIMS	DT SWISS E532 / 32H / 29" FRONT / 29" REAR (SIZES LG / XL) 29" FRONT / 27.5" REAR (SIZES SM / MD)
HUBS	SHIMANO SLX BOOST 15X110 32H FRONT / SHIMANO SLX SUPERBOOST 12X157 32H REAR
SPOKES	DOUBLE-BUTTED STAINLESS STEEL
TYRES	MAXXIS MINION DHRII / EXO / TR / 29 X 2.4 FRONT & REAR (SIZES LG / XL) / 29 X 2.4 FRONT / 27.5 X 2.3 REAR (SIZES SM / MD)

FEATURES

- Series 3 custom butted and hydroformed 6013 alloy front triangle and swingarm, signature TRL suspension design, internal cable routing, 12 x 157mm SuperBoost, 160mm travel
- Shock: Fox Float X2 Performance, 2 position adjust, 230 x 65
- Fork: Fox 38 Performance Elite, 160mm travel, HSC LSC HSR LSR Adjust, Grip 2 Damper, 15 x 110
- Drivetrain: Shimano M8100 XT / SLX M7100 12 Speed, 10-51T
- Brakes: Shimano M7120 calipers with M7100 SLX levers
- Components: Raceface Atlas 35 bar and Chester 35 stem, ODI grips, KS Rage I dropper post
- Extra: This Saracen Ariel model includes the extra Push Links that allow you to change the rear wheel size of your bike. (SM/MD includes a 29 link – LG/XL includes a 27.5 link)
- Tubeless ready

GEOMETRY

SIZE	S	M	L	XL
SEAT TUBE (MM)	360	410	460	510
TOP TUBE (MM)	603	624	652	680
REACH (MM)	455	480	505	530
STACK (MM)	618	623	636	650
HEAD TUBE (MM)	105	110	125	140
HEAD ANGLE (°)	64.6	64.6	64.6	64.6
SEAT ANGLE (°)	76.5	76.5	76.5	76.5
BOTTOM BRACKET TO SADDLE (MM)	690	740	790	840
EFFECTIVE SEAT ANGLE (°)	76.4	76	75.7	75.4
ACTUAL SEAT ANGLE (°)	71.5	71.5	71.5	71.5
CHAINSTAY (MM)	440	440	440	440
BOTTOM BRACKET DROP (MM)	27	27	27	27
BOTTOM BRACKET (MM)	350	350	350	350
WHEELBASE (MM)	1220	1247	1278	1310
HEAD SET	ZS44/ZS56	ZS44/ZS56	ZS44/ZS56	ZS44/ZS56
LOWER STACK HEIGHT (MM)	2.9	2.9	2.9	2.9
AXLE TO CROWN (MM)	571	571	571	571
OFFSET (MM)	43	43	43	43
STANDOVER (MM)	735	735	736	736

The image above is for illustration purposes only. Saracen reserves the right to change spec, colour, features and price without prior warning.

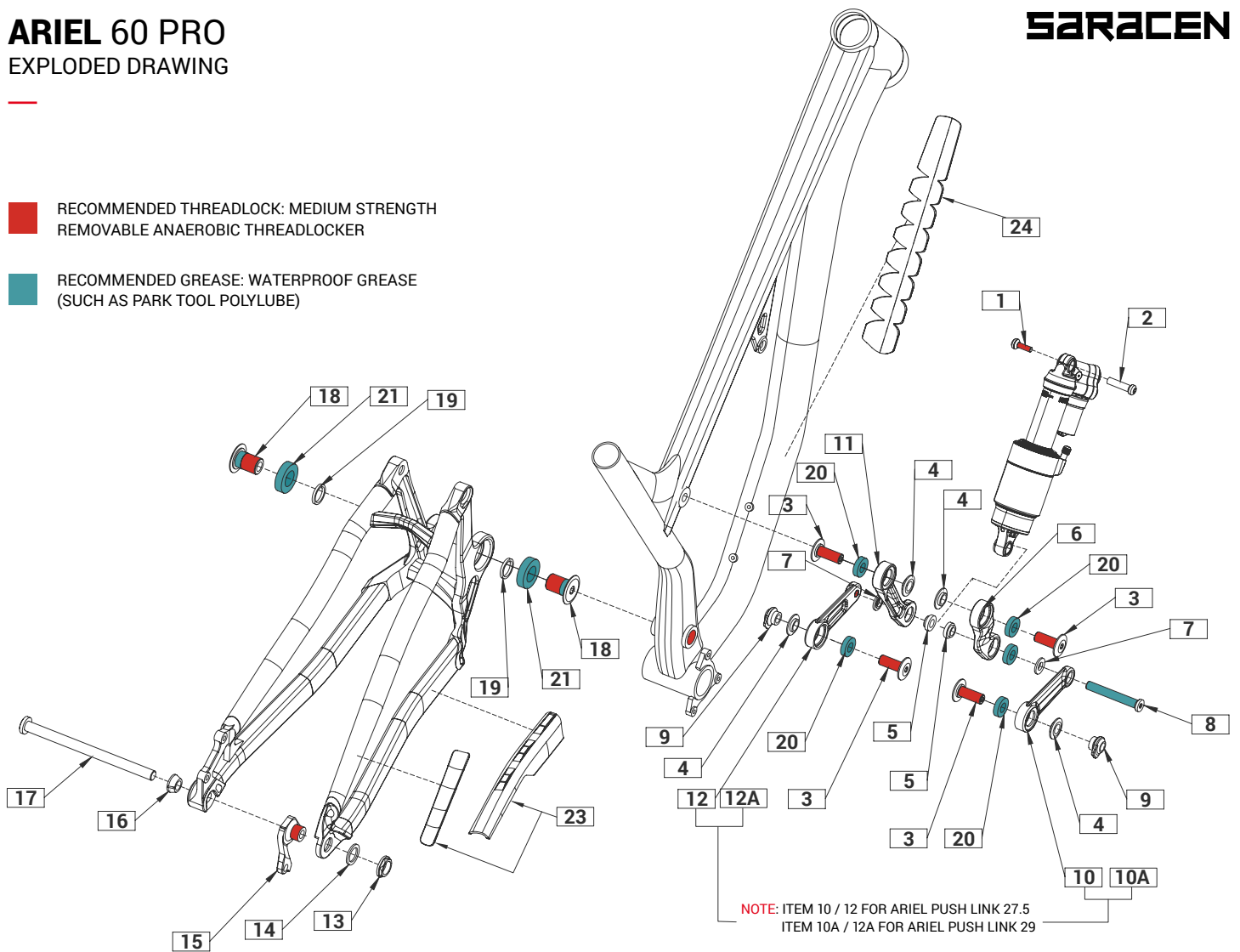
ARIEL 60 PRO

EXPLODED DRAWING

SARACEN

**RECOMMENDED THREADLOCK: MEDIUM STRENGTH
REMOVABLE ANAEROBIC THREADLOCKER**

**RECOMMENDED GREASE: WATERPROOF GREASE
(SUCH AS PARK TOOL POLYLUBE)**



ITEM	PART NUMBER	DESCRIPTION	QTY NEEDED	TORQUE	NOTES
1 & 2	RNSPR50008	ARIEL UPPER SHOCK BOLT	1	9NM	PART NUMBER INCLUDES ITEM 1 & 2
3	RNSPR50006	ARIEL LINKAGE AXLE (PAIR)	4	15NM	-
4	RNSPR50007	ARIEL LINKAGE SPACER (PAIR)	4	-	-
5	RNSPR50005	ARIEL INNER SHOCK SPACERS (PAIR)	2	-	-
6 & 11	RNSPR50002	ARIEL ROCKER LINK ARMS (PAIR)	1	-	PART NUMBER INCLUDES ITEM 6 & 11
7	RNSPR50004	ARIEL OUTER SHOCK SPACERS (PAIR)	2	-	-
8	RNSPR50003	ARIEL LOWER SHOCK BOLT	1	10NM	-
9	RNSPR50009	ARIEL SWING ARM THREADED INSERT (PAIR)	2	-	-
10 & 12	RNSPR50000	ARIEL PUSH LINK 27.5 (PAIR)	1	-	PART NUMBER INCLUDES ITEM 10 & 12
10A + 12A	RNSPR50001	ARIEL PUSH LINK 29 (PAIR)	1	-	PART NUMBER INCLUDES ITEM 10A & 12A
13 & 15	RNS4049	ARIEL NON-DIRECT HANGER + NUT	1	20NM	PART NUMBER INCLUDES ITEM 13 & 15
13 & 15	RNS4047	ARIEL DIRECT HANGER + NUT	1	20NM	PART NUMBER INCLUDES ITEM 13 & 15
14	RNSPR50010	ARIEL HANGER WASHER	1	-	-
16	RNSPR50011	ARIEL AXLE TAPER WASHER	1	-	-
17	RNSPR50012	ARIEL 157 REAR AXLE	1	15NM	-
18 & 19	RNS5224	ARIEL MAIN AXLE BOLTS + SPACERS (PAIR)	2	36NM	PART NUMBER INCLUDES ITEM 18 & 19
20	N/A	ARIEL LINKAGE BEARINGS 6901.RS	4	-	-
21	N/A	ARIEL MAIN PIVOT BEARINGS 6904.RS	2	-	-
22	N/A	ARIEL LINKAGE BEARINGS 6900.RS	2	-	-
23	RNSPR50016	ARIEL CHAINSTAY PROTECTOR	1	-	-
24	RNSPR50018	ARIEL DOWNTUBE PROTECTOR	1	-	-

ARIEL 60 PRO

TECHNICAL INFORMATION

SARACEN

MODEL	ARIEL 60 PRO
FRAME MATERIAL	AL-6013
REAR TRAVEL	160 MM
SHOCK LENGTH / STROKE	230 X 65
SHOCK SAG	17-19.5
SAG EYE TO EYE	213-211.5 MM
PIGGY BACK COMPATIBLE	YES
FRAME SHOCK BUSHING	22MM X 8MM
LINKAGE SHOCK BUSHING	22MM X 10MM
RECOMMENDED / MAX FORK LENGTH	571MM/ 581MM
OFFSET	42-44MM
RECOMMENDED / MAX FORK TRAVEL	29": 160MM/170MM
MAXIMUM TYRE	29 X 2.6/ 27.5 X2.6
BRAKE MOUNT TYPE	IS160
MAX REAR ROTOR	200MM
SEAT POST	30.9MM
SEAT COLLAR	34.9MM
BOTTOM BRACKET TYPE	BSA73
ISCG	05
CRANK CHAINLINE	SUPER BOOST
MAX CHAIN RING	38T
REAR HUB TYPE	12 X 157



FOX SUSPENSION

SETUP GUIDE

Fox Float X2 / 230mm x 65mm

RIDER WEIGHT (LBS)	RIDER WEIGHT (KGS)	PRESSURE (PSI)	SAG (%)	SAG (MM)	LSR (CLICKS)	HSR (CLICKS)	LSC (CLICKS)	HSC (CLICKS)
90	41	105	25-30%	16-19MM	15-17	7-8	16-18	7-8
110	50	130	25-30%	16-19MM	12-14	5-6	14-16	6-7
130	59	160	25-30%	16-19MM	9-11	4-5	13-15	6-7
150	68	180	25-30%	16-19MM	7-9	3-4	11-13	5-6
170	77	210	25-30%	16-19MM	6-8	3-4	8-10	4-5
190	86	235	25-30%	16-19MM	4-6	2-3	6-8	4-5
210	95	260	25-30%	16-19MM	2-4	1-2	2-4	3-4
230	104	290	25-30%	16-19MM	1-3	0-1	1-3	2-3

NOTE: ALL CLICKS ARE FROM FULLY CLOSED POSITION

The image above is for illustration purposes only. Saracen reserves the right to change spec, colour, features and price without prior warning.