



## SPECS

FRAME	
SIZES	SM / MD / LG / XL
COLOUR	YELLOW
FRAME	SERIES 3 CUSTOM BUTTED AND HYDROFORMED 6013 ALLOY FRONT TRIANGLE AND SWINGARM / 130MM TRAVEL
FORK	FOX 36 140 PERFORMANCE ELITE
REAR-SHOCK	FOX FLOAT DPS PERFORMANCE ELITE
HEADSET	PRESTINE PTF13
COMPONENTS	
HANDLEBARS	RACEFACE NEXT R 35 / 780MM / 35MM
STEM	RACEFACE TURBINE R 35 / 40MM
GRIPS	ODI ELITE MOTION
SADDLE	SARACEN CUSTOM CRMO MTB
SEATPOST	KS LEV INTEGRA / 170MM TRAVEL (150MM ON S SIZE) / 30.9MM
PEDALS	N/A
DRIVE TRAIN	
SHIFTERS	SHIMANO XT M8100 / 1 X 12 SPEED
REAR-DERAILLEUR	SHIMANO XT M8100 / 12 SPEED
FRONT-DERAILLEUR	N/A
CHAINSET	SHIMANO XT FC-M8130 / 34T / 170MM
CHAIN	KMC X12
CASSETTE	SHIMANO XT M8100 / 12 SPEED / 10-51T
BRAKES	SHIMANO M8120 203/203MM
BRAKE-LEVERS	SHIMANO M8100
WHEELS	
RIMS	DT SWISS EX 511 / 32H / 29" FRONT / 29" REAR (SIZES LG / XL) 29" FRONT / 27.5" REAR (SIZES SM / MD)
HUBS	KT BOOST 15X110 SEALED BEARING 32H FRONT / KT SUPERBOOST 12X157 SEALED BEARING 32H REAR
SPOKES	DOUBLE-BUTTED STAINLESS STEEL
TYRES	MAXXIS MINION DHRII / EXO / TR / 29 X 2.4 FRONT & REAR (SIZES LG / XL) / 29 X 2.4 FRONT / 27.5 X 2.3 REAR (SIZES SM / MD)

## FEATURES

- Series 3 custom butted and hydroformed 6013 alloy front triangle and swingarm, signature TRL suspension design, internal cable routing, 12 x 157mm SuperBoost, 160mm travel
- Shock: Fox Float DPS Performance Elite 210/50mm
- Fork: Fox 36 140 Performance Elite, HSC LSC HSR LSR Adjust, Grip 2 Damper, 15 x 110
- Drivetrain: Shimano XT M8100 12 Speed, 10-51T
- Brakes: Shimano M8120 calipers with M8100 XT levers
- Components: Raceface Next R 35 bar and Turbine R 35 stem, ODI grips, KS LEV Integra dropper post
- Extra: This Saracen Ariel model includes the extra Push Links that allow you to change the rear wheel size of your bike. ( SM/MD includes a 29 link - LG/XL includes a 27.5 link )
- Tubeless ready

## GEOMETRY

SIZE	S	M	L	XL
SEAT TUBE (MM)	360	410	460	510
TOP TUBE (MM)	598	625	653	682
REACH (MM)	455	480	505	530
STACK (MM)	595	604	618	632
HEAD TUBE (MM)	100	110	125	140
HEAD ANGLE (°)	65	65	65	65
SEAT ANGLE (°)	76.5	76.5	76.5	76.5
BOTTOM BRACKET TO SADDLE (MM)	690	740	790	840
EFFECTIVE SEAT ANGLE (°)	76.4	76	75.7	75.4
ACTUAL SEAT ANGLE (°)	71.5	71.5	71.5	71.5
CHAINSTAY (MM)	440	440	440	440
BOTTOM BRACKET DROP (MM)	30	30	30	30
BOTTOM BRACKET (MM)	346	346	346	346
WHEELBASE (MM)	1210	1239	1270	1302
HEAD SET	ZS44/ZS56	ZS44/ZS56	ZS44/ZS56	ZS44/ZS56
LOWER STACK HEIGHT (MM)	2.9	2.9	2.9	2.9
AXLE TO CROWN (MM)	541	541	541	541
OFFSET (MM)	44	44	44	44
STANDOVER (MM)	732	732	731	731

The image above is for illustration purposes only. Saracen reserves the right to change spec, colour, features and price without prior warning.

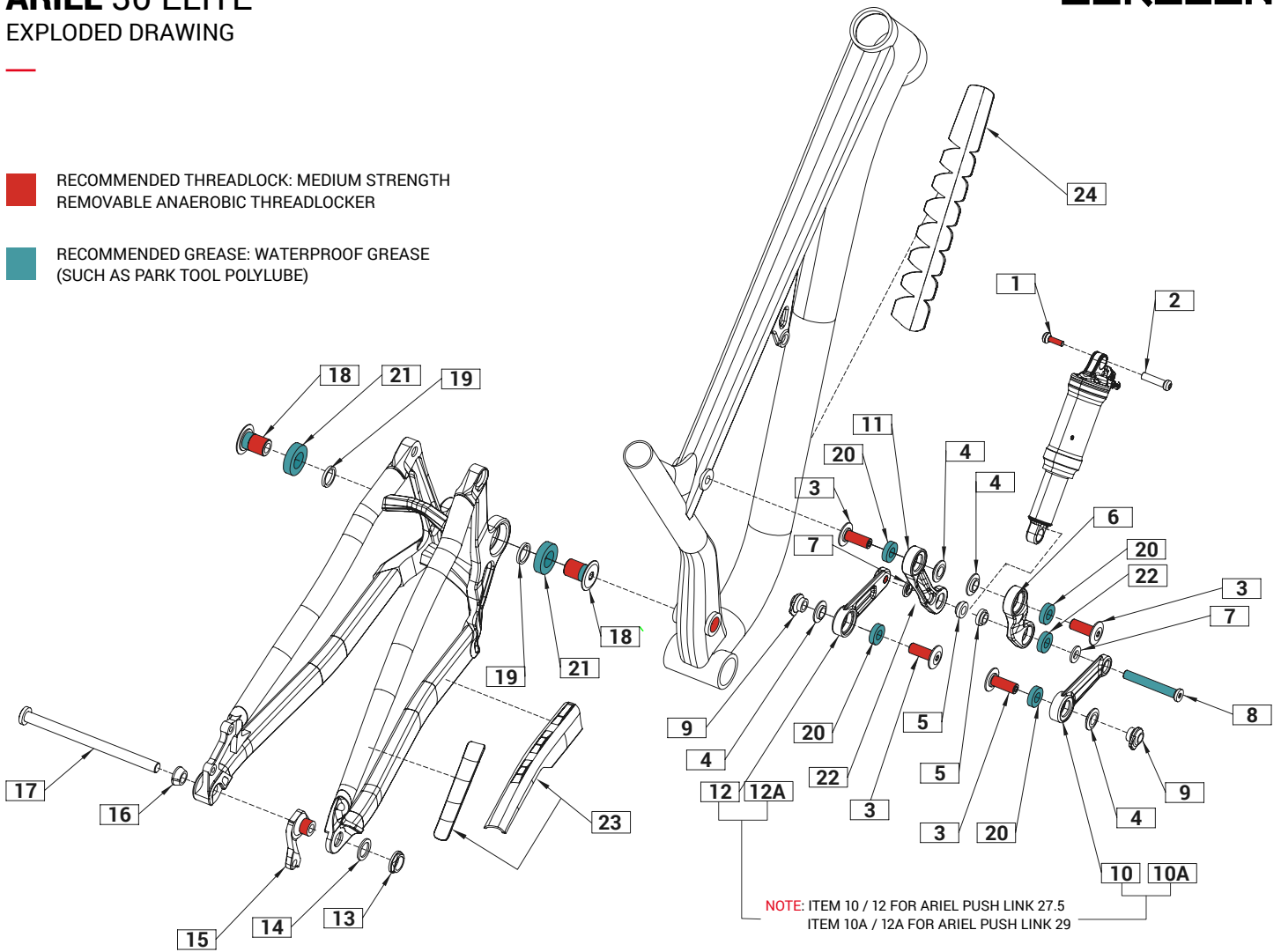
# ARIEL 30 ELITE

## EXPLODED DRAWING

**SARACEN**

**RECOMMENDED THREADLOCK: MEDIUM STRENGTH  
REMOVABLE ANAEROBIC THREADLOCKER**

**RECOMMENDED GREASE: WATERPROOF GREASE  
(SUCH AS PARK TOOL POLYLUBE)**



ITEM	PART NUMBER	DESCRIPTION	QTY NEEDED	TORQUE	NOTES
1 & 2	RNSPR50008	ARIEL UPPER SHOCK BOLT	1	9NM	PART NUMBER INCLUDES ITEM 1 & 2
3	RNSPR50006	ARIEL LINKAGE AXLE (PAIR)	4	15NM	-
4	RNSPR50007	ARIEL LINKAGE SPACER (PAIR)	4	-	-
5	RNSPR50005	ARIEL INNER SHOCK SPACERS (PAIR)	2	-	-
6 & 11	RNSPR50002	ARIEL ROCKER LINK ARMS (PAIR)	1	-	PART NUMBER INCLUDES ITEM 6 & 11
7	RNSPR50004	ARIEL OUTER SHOCK SPACERS (PAIR)	2	-	-
8	RNSPR50003	ARIEL LOWER SHOCK BOLT	1	10NM	-
9	RNSPR50009	ARIEL SWING ARM THREADED INSERT (PAIR)	2	-	-
10 & 12	RNSPR50000	ARIEL PUSH LINK 27.5 (PAIR)	1	-	PART NUMBER INCLUDES ITEM 10 & 12
10A & 12A	RNSPR50001	ARIEL PUSH LINK 29 (PAIR)	1	-	PART NUMBER INCLUDES ITEM 10A & 12A
13 & 15	RNS4049	ARIEL NON-DIRECT HANGER + NUT	1	20NM	PART NUMBER INCLUDES ITEM 13 & 15
13 & 15	RNS4047	ARIEL DIRECT HANGER + NUT	1	20NM	PART NUMBER INCLUDES ITEM 13 & 15
14	RNSPR50010	ARIEL HANGER WASHER	1	-	-
16	RNSPR50011	ARIEL AXLE TAPER WASHER	1	-	-
17	RNSPR50012	ARIEL 157 REAR AXLE	1	15NM	-
18 & 19	RNS5224	ARIEL MAIN AXLE BOLTS + SPACERS (PAIR)	2	36NM	PART NUMBER INCLUDES ITEM 18 & 19
20	N/A	ARIEL LINKAGE BEARINGS 6901.RS	4	-	-
21	N/A	ARIEL MAIN PIVOT BEARINGS 6904.RS	2	-	-
22	N/A	ARIEL MAIN PIVOT BEARINGS 6900.RS	2	-	-
23	RNSPR50016	ARIEL CHAINSTAY PROTECTOR	1	-	-
24	RNSPR50018	ARIEL DOWNTUBE PROTECTOR	1	-	-

# ARIEL 30 ELITE

## TECHNICAL INFORMATION

SARACEN

MODEL	ARIEL 30
FRAME MATERIAL	AL-6013
REAR TRAVEL	130MM
SHOCK LENGTH / STROKE	210MM X 50MM
SHOCK SAG	19.5MM
SAG EYE TO EYE	190.5MM
PIGGY BACK COMPATIBLE	YES (LIMITS WATER BOTTLE FIT)
FRAME SHOCK BUSHING	22MM X 8MM
LINKAGE SHOCK BUSHING	22MM X 10MM
RECOMMENDED / MAX FORK LENGTH	541MM / 561 MM
OFFSET	42-44MM
RECOMMENDED / MAX FORK TRAVEL	29": 130MM / 140MM
MAXIMUM TYRE	29" X 2.6" / 27.5" X 2.6"
BRAKE MOUNT TYPE	IS160
MAX REAR ROTOR	200MM
SEAT POST	30.9MM
SEAT COLLAR	34.9MM
BOTTOM BRACKET TYPE	BSA73
ISCG	NA
CRANK CHAINLINE	SUPER BOOST
MAX CHAIN RING	38T
REAR HUB TYPE	12 X 157



## FOX SUSPENSION

### SETUP GUIDE

#### Fox Float DPS / 210mm x 50mm

RIDER WEIGHT (LBS)	RIDER WEIGHT (KGS)	PRESSURE (PSI)	SAG (%)	SAG (MM)	LSR (CLICKS)
90	41	105	25-30%	16-19MM	11
110	50	130	25-30%	16-19MM	10
130	59	160	25-30%	16-19MM	8
150	68	180	25-30%	16-19MM	7
170	77	210	25-30%	16-19MM	6
190	86	235	25-30%	16-19MM	5
210	95	260	25-30%	16-19MM	4
230	104	290	25-30%	16-19MM	CLOSED

NOTE: ALL CLICKS ARE FROM FULLY CLOSED POSITION

The image above is for illustration purposes only. Saracen reserves the right to change spec, colour, features and price without prior warning.