

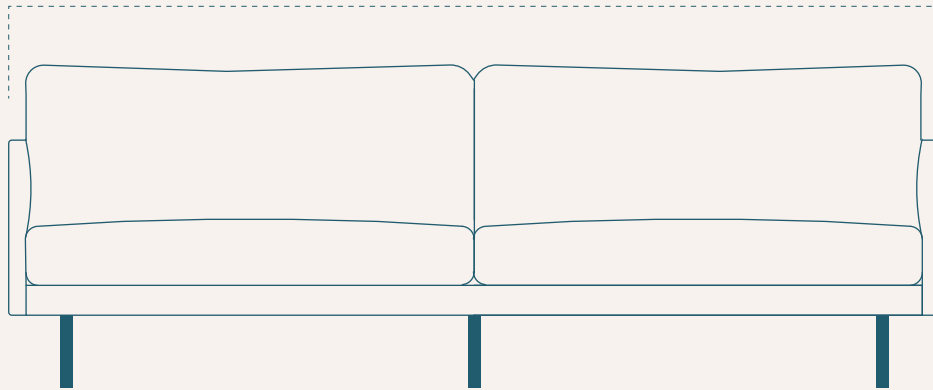
FILLING: FOAM  
FRAME: PLYWOOD  
LEGS: METAL, BLACK

UPHOLSTERY: VELVET, 100.000 MD  
OPTIONS: MACHINE WASHABLE

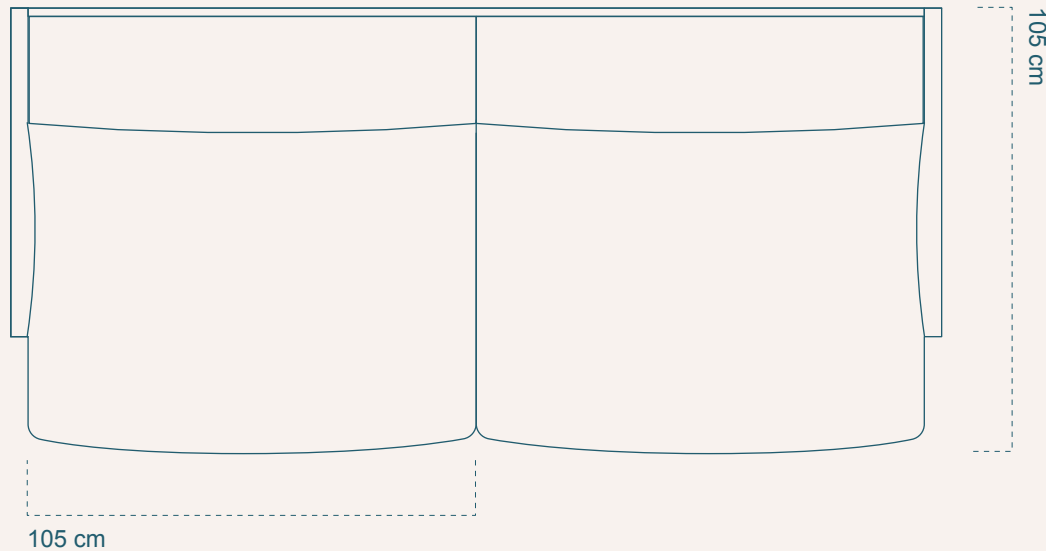
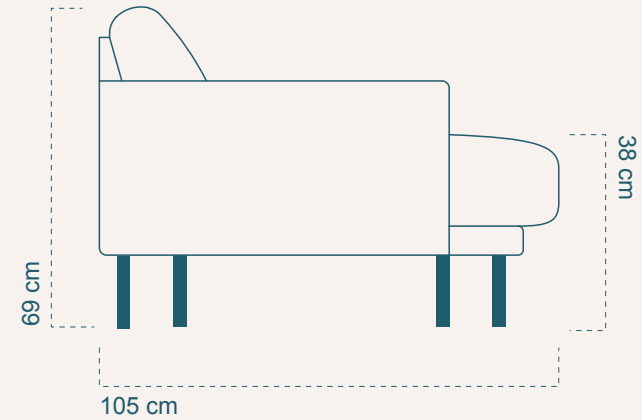
DESIGN: NORDIC MATTER STUDIO  
MANUFACTURER: UNICO OY, KAUHAVA, FINLAND

**NORMA**

218 cm



2



**KOTO218**

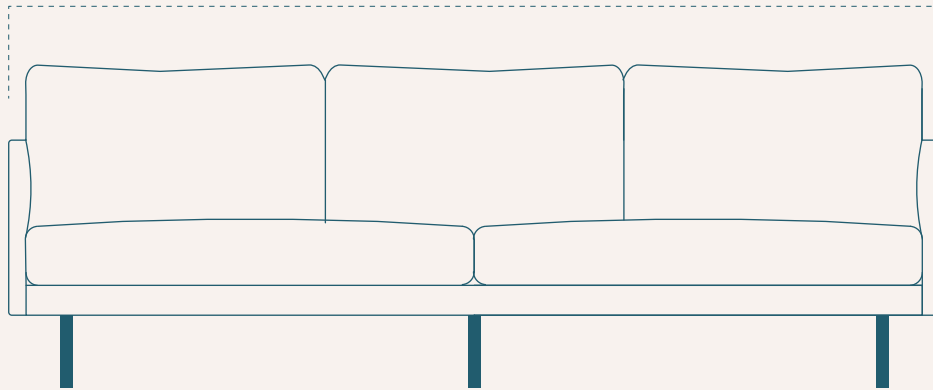
FILLING: FOAM  
FRAME: PLYWOOD  
LEGS: METAL, BLACK

UPHOLSTERY: VELVET, 100.000 MD  
OPTIONS: MACHINE WASHABLE

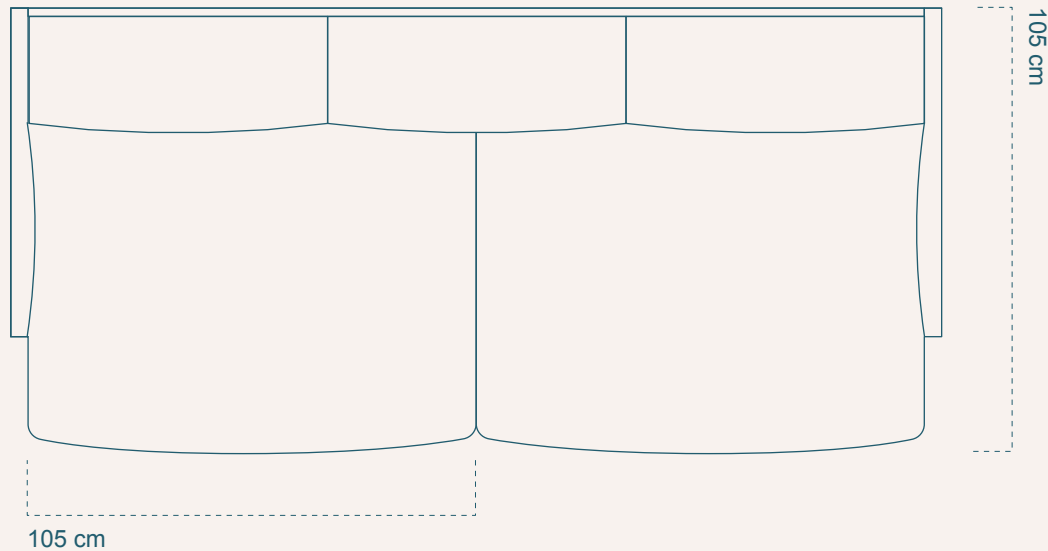
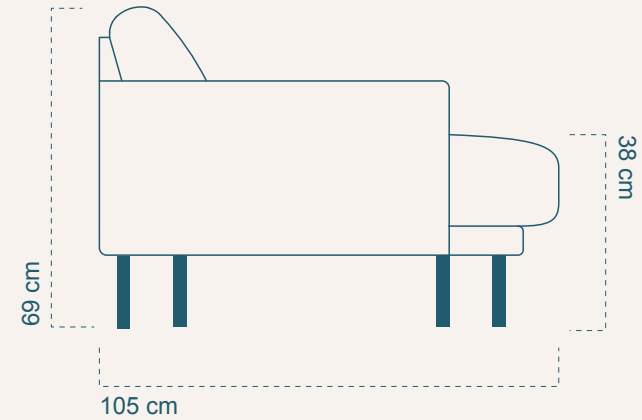
DESIGN: NORDIC MATTER STUDIO  
MANUFACTURER: UNICO OY, KAUHAVA, FINLAND

**NORMA**

218 cm



3



**KOTO218**

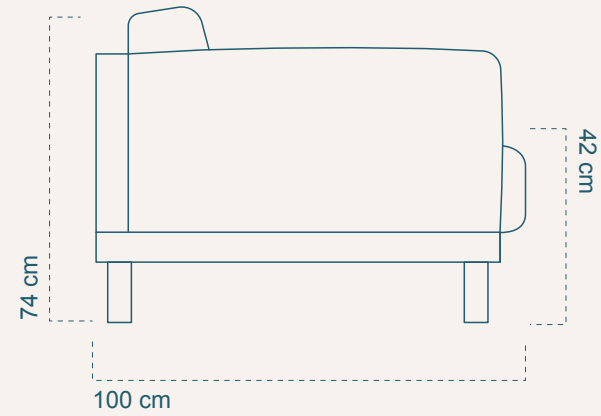
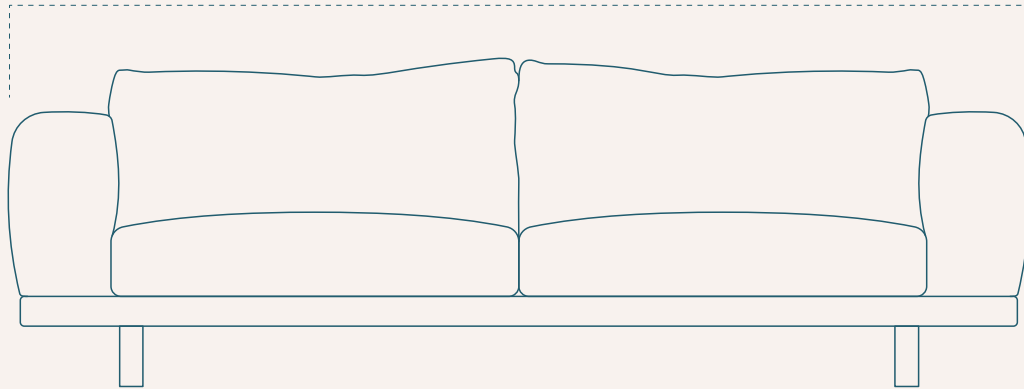
FILLING: DOWN  
FRAME: PLYWOOD  
LEGS: OILED OAK

UPHOLSTERY: BREMA, 25.000 MD  
OPTIONS: MACHINE WASHABLE  
+ LAURITZON'S POODLE,  
40.000 MD

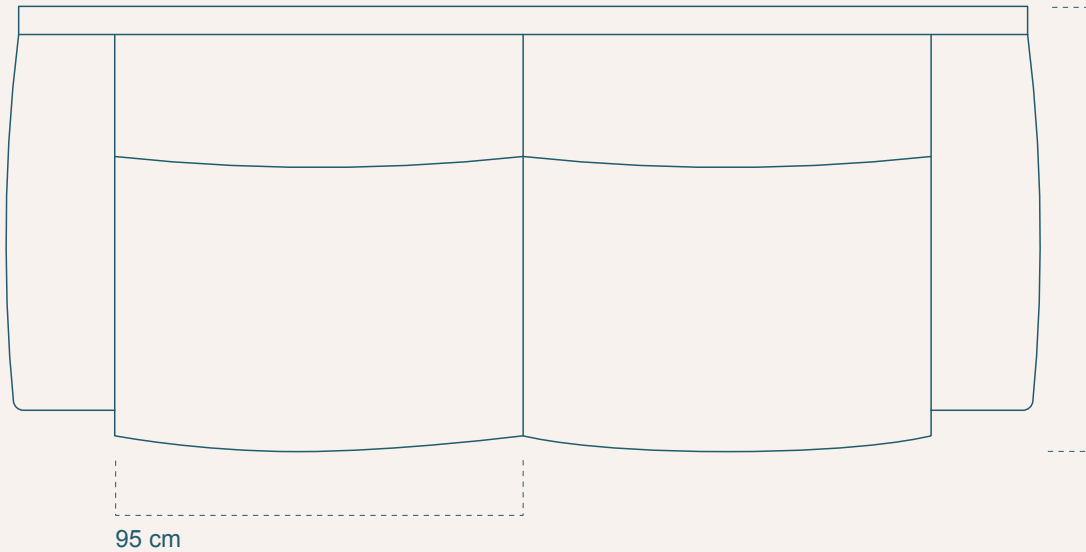
DESIGN: NORDIC MATTER STUDIO  
MANUFACTURER: UNICO OY, KAUHAVA, FINLAND

**NORMA**

237 cm



100 cm



95 cm

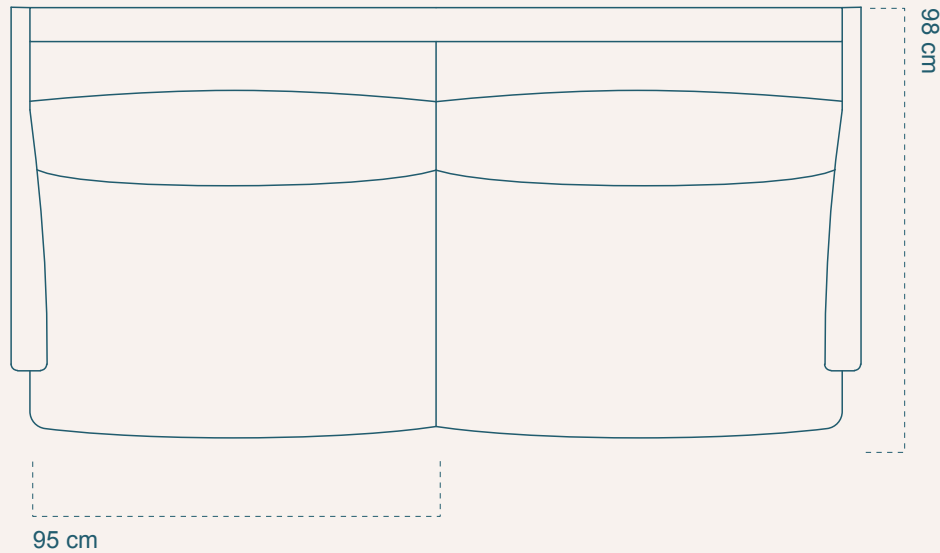
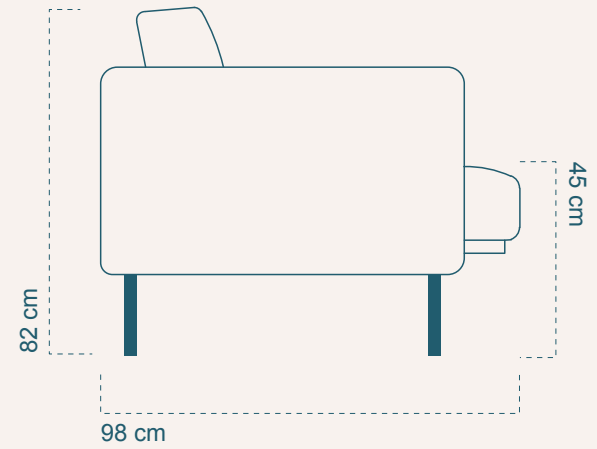
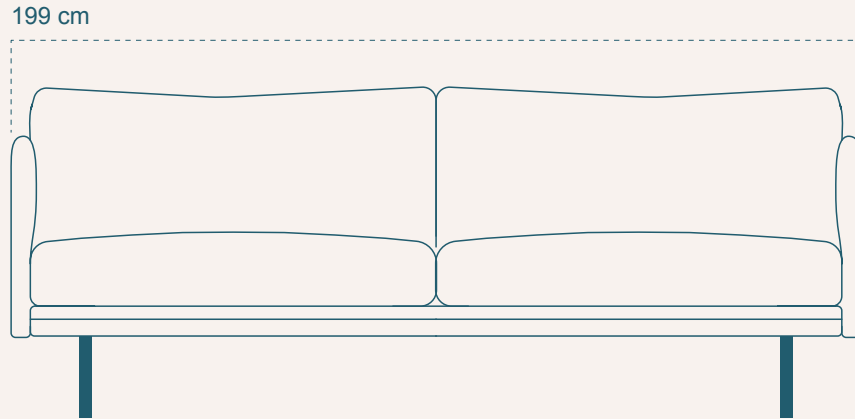
**ISO237**

FILLING: FOAM  
FRAME: PLYWOOD

UPHOLSTERY: VAKIO WOOL, 40.000 MD  
OPTIONS: +  
RAF SIMONS RIA, 50.000 MD

DESIGN: NORDIC MATTER STUDIO  
MANUFACTURER: UNICO OY, KAUHAVA, FINLAND

**NORMA**



**VAKIO199**