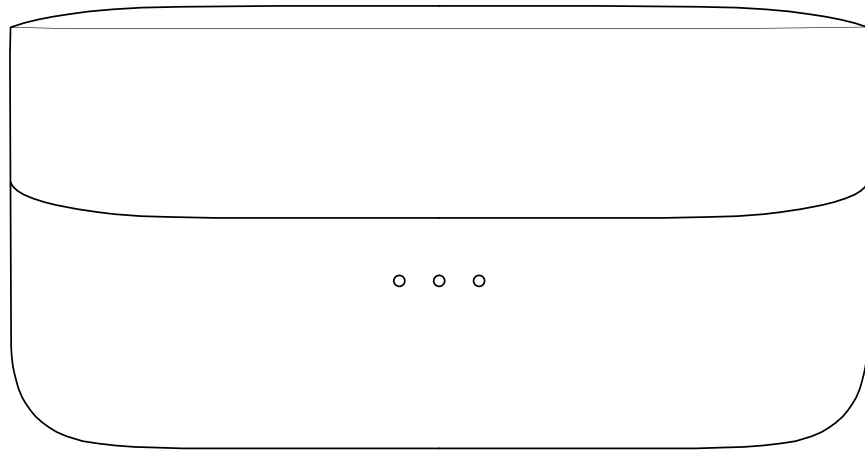
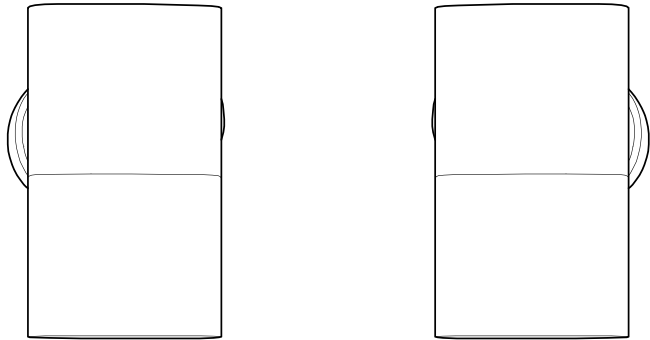


STATUS

BETWEEN PRO

USER GUIDE

You made an
excellent choice.



Your Between Pro Earbuds

- Contain a 10mm Dynamic Driver + 2x Balanced Armature Drivers (in each earbud)
- Offer market-leading battery life (12hrs in the buds, another 36hrs in the case)
- Contain 4 microphones (2 in each earbud) for stellar wireless call quality
- Connect via Bluetooth 5.2. to virtually every modern phone, tablet, computer, and television
- Are backed by Status Audio's 30 day performance guarantee + 1 year warranty

Charge

The Between Pro arrive with some juice, but we highly recommend you charge to 100% before initial use.

First, place the earbuds in the charging case and shut it.

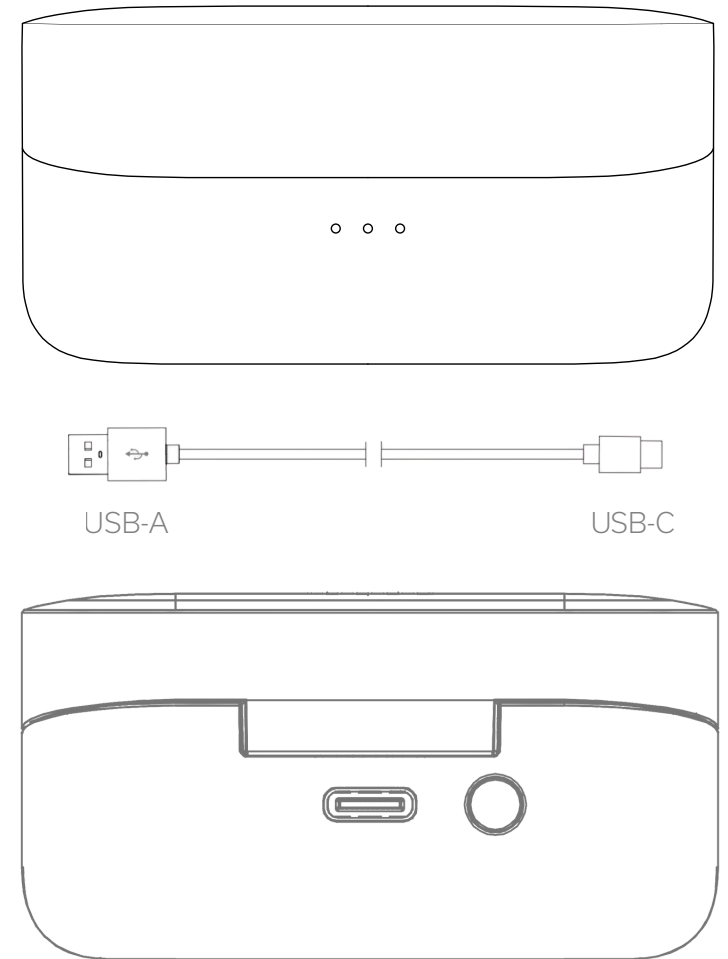
On the backside of the charging case, there is a USB-C input. Using the provided cable, insert one end into the case, and the other end into a power source (wall charger, computer, USB input, etc).

Please use the USB-C cable we provided.

Why? Not all USB-C cables will work with the Between Pro Earbuds. There are different charging standards that are outside of our control.

If you need to use a third party charger, it should originate in a USB-A connection.

Look at the LED lights on the front of the case. You'll see a blinking light during charging. Charging is finished when all 3 LED lights illuminate a solid blue color.



Operate

Open the case and remove the earbuds.

This will automatically put the buds in "pairing" mode, which means they are ready to connect to your device!

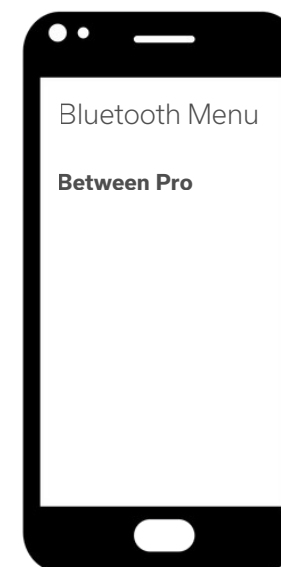
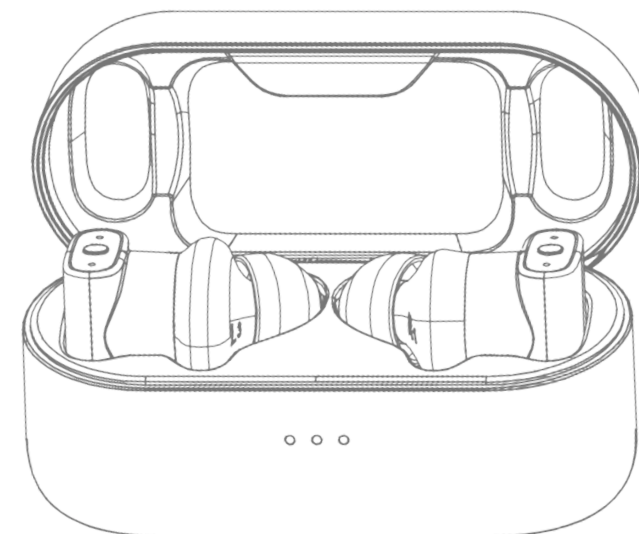
You'll also see a flashing red + blue light on the top of the earbuds.

If you have already put the earbuds in your ears, no problem! You'll be greeted with voice updates along the way - "power on", battery status (low, medium, high), and Bluetooth connection status.

Now go to the Bluetooth Menu on your device.

"Between Pro" should be listed in your Bluetooth menu. If it isn't, just give it 5-10 seconds to appear. Still nothing? Turn Bluetooth off on your device, and then switch it back on.

The image to the right shows a smartphone, but you can connect the Between Pro with any Bluetooth-enabled device: smartphones, tablets, computers, televisions, and more.



More on Bluetooth Pairing

Bluetooth pairing can be confusing, and trip up even the most seasoned technophiles. So don't get frustrated, we will work through this together.

First thing to know:

Once you successfully pair the Between Pro to a given device (say your smartphone or computer), it will remember this device FOREVER. It will automatically pair to this device when you open the Between Pro charging case (provided the device is turned on and in-range).

Are you still having problems?

Pairing procedures can vary depending on your device. So if you are attempting to pair the Between Pro to (for example) a Samsung Galaxy S20 - you should Google something like: "Bluetooth pairing Samsung Galaxy S20".

Still having problems? Email us at contact@status.co

Getting the right fit

The Between Pro are designed to fit snugly in your ears. They should achieve an airtight seal, and stay in your ears even during high-intensity movement.

This is how they should look:



We include 3 different silicon "fit-wings":



Size 1



Size 2



Size 3

Size 1 comes pre-installed on the earbuds. If the fit is not secure enough, size up.

Controlling the Between Pro

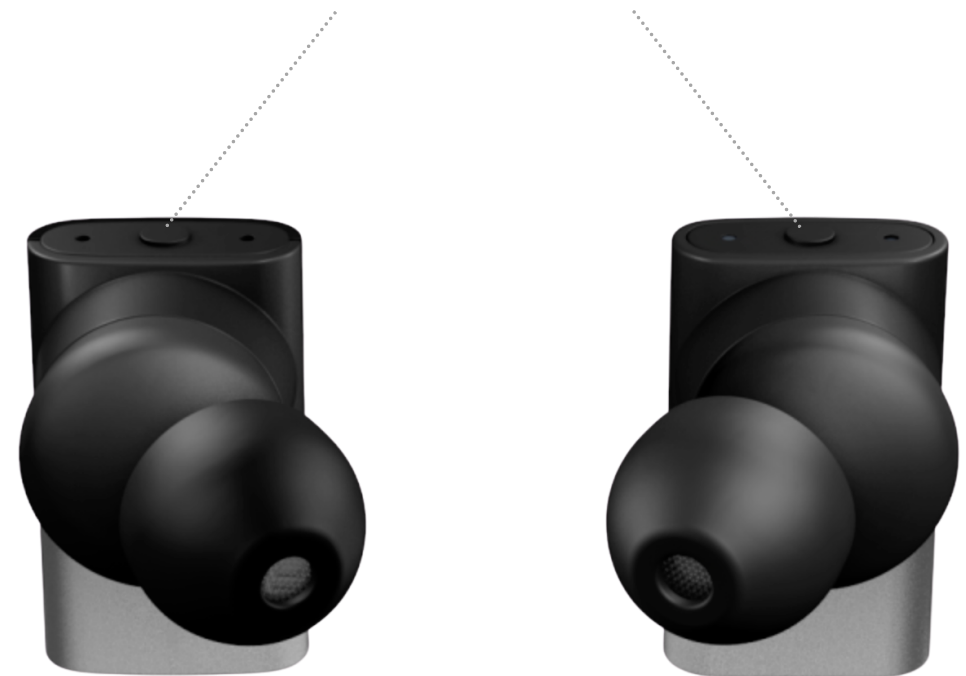
Music & Listening:

Function	Left Button	Right Button
Play	Short tap (either side is OK)	
Pause	Short tap (either side is OK)	
Volume +		Double-tap
Volume -	Double-tap	
Previous Track	Press & hold	
Next Track		Press & hold
Voice Assistant	Triple-tap (either side is OK)	

Communications:

Function	Left Button	Right Button
Answer call	Short press (either side is OK)	
Reject call	Press & hold (either side is OK)	
End call	Short press (either side is OK)	
Switch between earbuds & device	Press & hold (either side is OK)	

There's a physical button on top of each earbud:



Left

Right

Controlling the Between Pro (cont'd)

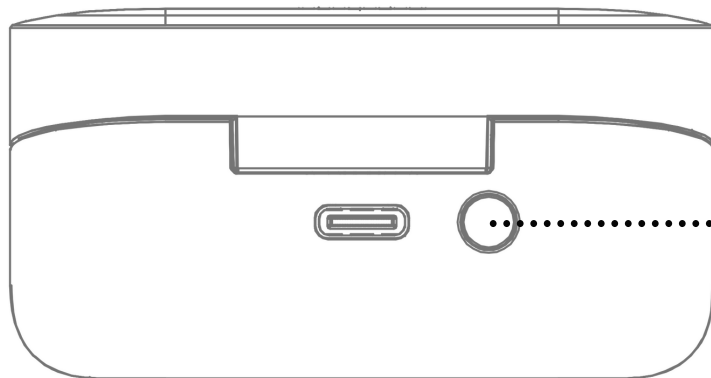
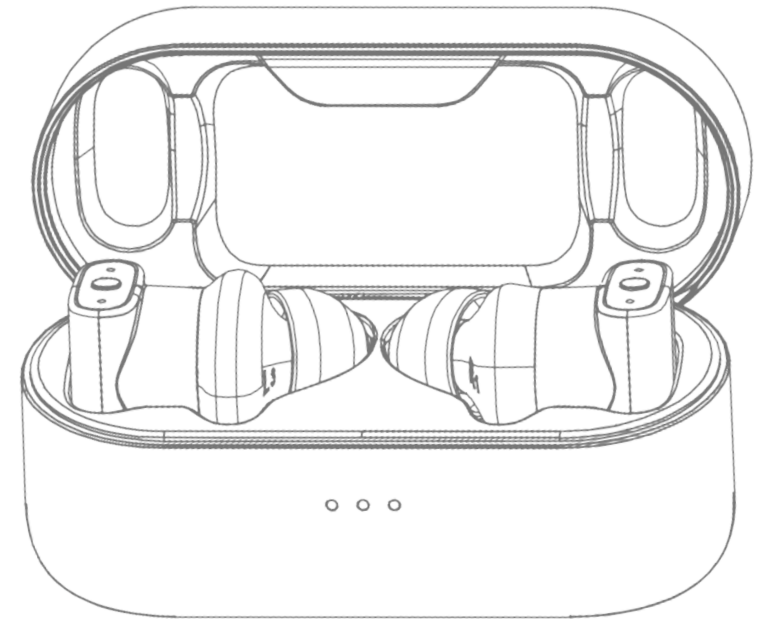
Powering on and off:

Removing the buds from the case automatically turns them on.
Putting the buds back in the case automatically turns them off.

Manual Power On/Off + Reset

To manually power on and off the earbuds, hold both left and right buttons simultaneously.

To perform a full reset, hold the button on the backside of the charging case for 6 seconds while the case is open. The LED lights on the earbuds will flash purple when the reset is complete.



Reset button

Safety Information

Warning!

Continued exposure to loud noise (more than 85 decibels)(85 dBA) may cause gradual but permanent damage to hearing.

Always turn the level of your source down to a low level before placing the headphones on your ears. Gradually turn up volume until you achieve a comfortable level. Never listen at high volumes for long periods.

Do not tamper or disassemble the headphones, as doing so will void the warranty. Besides removable ear-pads, there are no user-serviceable parts inside.

Be aware of your surroundings. Do not use headphones when it is unsafe to do so, for example when operating a vehicle, crossing the street, or any activity requiring you to pay attention to your surroundings.

For more information about safe listening and hearing health, please visit the Hearing Health Foundation at: hearinghealthfoundation.org.

FCC Warning

This device complies with part 15 of the FCC Rules. Operation is subject to the following two conditions: (1) This device may not cause harmful interference, and (2) this device must accept any interference received, including interference that may cause undesired operation.

Any Changes or modifications not expressly approved by the party responsible for compliance could void the user's authority to operate the equipment.

Note: This equipment has been tested and found to comply with the limits for a Class B digital device, pursuant to part 15 of the FCC Rules. These limits are designed to provide reasonable protection against harmful interference in a residential installation. This equipment generates uses and can radiate radio frequency energy and, if not installed and used in accordance with the instructions, may cause harmful interference to radio communications. However, there is no guarantee that interference will not occur in a particular installation. If this equipment does cause harmful interference to radio or television reception, which can be determined by turning the equipment off and on, the user is encouraged to try to correct the interference by one or more of the following measures:

- Reorient or relocate the receiving antenna.
- Increase the separation between the equipment and receiver.
- Connect the equipment into an outlet on a circuit different from that to which the receiver is connected.
- Consult the dealer or an experienced radio/TV technician for help.

The device has been evaluated to meet general RF exposure requirement. The device can be used in portable exposure condition without restriction.

STATUS

WWW.STATUS.CO