

BATTLEBULL Chair Features

- **Backrest Support**

Ergonomic Concave Design - which supports your spine in a more comfortable way. Suitable for different body shapes - like it is specially designed for the curves around your neck, back as well as waist!

- **Seat Cushion Support**

Further distribute pressure to minimize stress on legs and bottom. Feel comfortable all day long! Deformation resistant, and durable.

- **360° Rotation Feature**

Full rotation with no dead angle - which avoids from getting up frequently. Feel even more relaxed during work!

- **180° Reclining Feature**

Provide multi-angle recline adjustment that fulfils user's needs.

- **Rocking Chair Feature**

Adjust the chair angle at around 120°~135°, then turn on the rocking chair function. Gently touch the floor with your toes, and you will feel more relaxed!

- **User-friendly Operation System**

Apart from the chair height, you can also adjust the angle of backrest and the armrest according to your needs. Protect your back effectively and prevent RSI (Repetitive Strain Injuries). More options, more freedom!

- **Auxiliary Support**

Interchangeable head cushion and lumbar rest. Get one that fits your body shape and relieves stress more effectively!

6

Warranty

Warranty against defects

Notification for Australian Consumers

Our goods come with guarantees that cannot be excluded under Australian consumer law. You are entitled to a replacement or refund for a major failure and for compensation for any other reasonably foreseeable loss or damage. You are also entitled to have the goods repaired or replaced if the goods fail to be of acceptable quality and the failure does not amount to a major failure.

Duration of warranty

Warranty duration of 12 months from purchase date. For current information visit www.battlebull.com/warranty.

How to make a claim

Return the product to your original point of purchase for the duration of the warranty. Please verify the return policy with the retailer where you purchased your product.

Expenses

You will need to pay shipping and handling charges, as well as any applicable tariffs, duties, taxes or other fees.

For more info or to contact us visit www.battlebull.com

Care instructions

Do not leave the chair in direct sunlight. This may cause deterioration of plastic parts.

If cleaning is required. Use a damp cloth. For more stubborn marks, place cleaning solution onto a soft cloth and gently rub. Do not place cleaning solution directly onto chair. Do not use abrasive cleaners. (We recommend Pledge cleaner)

Keep surrounding areas clear to avoid collision.

Please use levers and handles carefully, rough handling may cause damage. Watch your fingers when adjusting the backrest angle.

Do not stand on the chair or place any heavy objects on the chair or armrests.

Ensure centre of gravity is on the hydraulic unit during use.

**RED
TWELVE**



BATTLEBULL
GAMING CHAIRS

Share your purchase on socials for your chance to win!

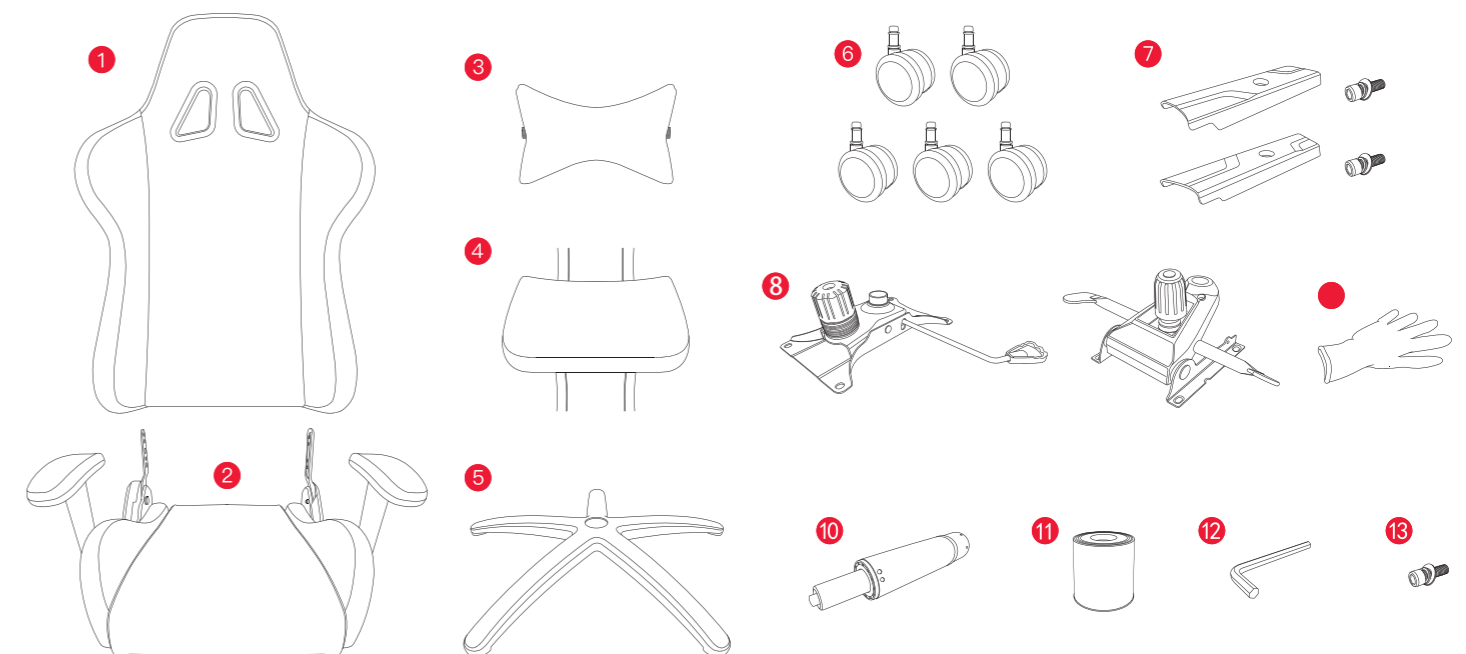
Upload a pic of your new chair to any of our socials and tag us for your chance to win a prize, **1 winner every month!**

For more info visit www.battlebull.com/sharetowin



Product Information

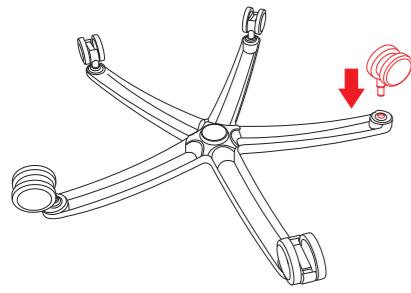
Product images are for illustration purpose only and may differ from the actual product.



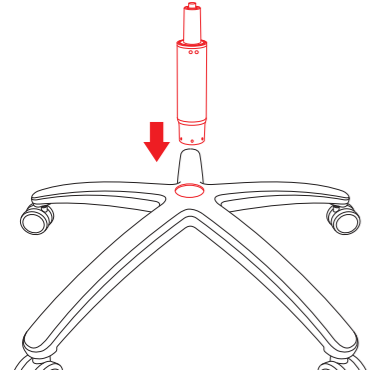
- | | | | | |
|--------------------|---------------------------------------|------------------------------------|----------------|-----------------|
| 1. Backrest | 2. Seat Cushion | 3. Head Cushion | 4. Lumbar Rest | 5. 5-Point Base |
| 6. Castor Wheels | 7. Screws and Side Covers of backrest | 8. Butterfly & Seat Tilt Mechanism | 9. Gloves | 10. Gas Lift |
| 11. Gas Lift Cover | 12. Hex Wrench | 13. Spare Screws | | |

Product Reference: V4-22
All contents has been carefully checked, please contact us if there is any printing mistake or misunderstanding.
Note: All technical parameter are subject to change without prior notice. Updated information will be added to the next version of manual.

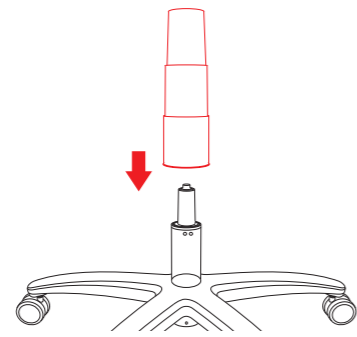
Installation Steps | Please wear the gloves before installing the chair.



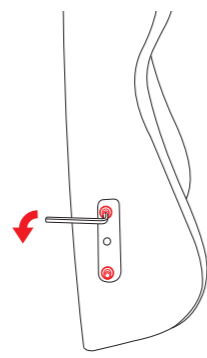
1 Attach all five wheels to each hole of the 5-point base.



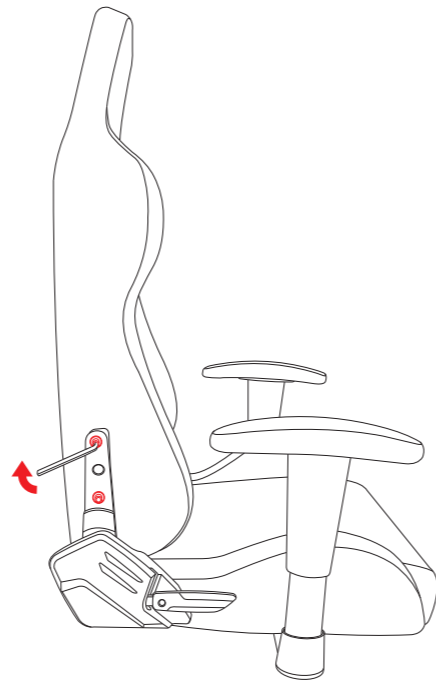
2 Insert the gas lift into the center hole o



3 Put on the gas lift cover.

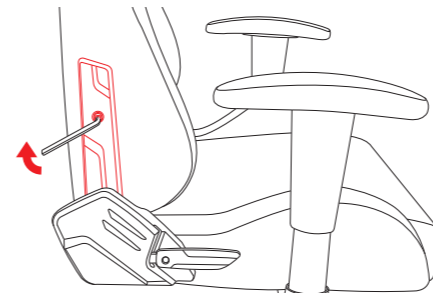


4 Remove the pre-installed screws and washers from the side of the backrest.

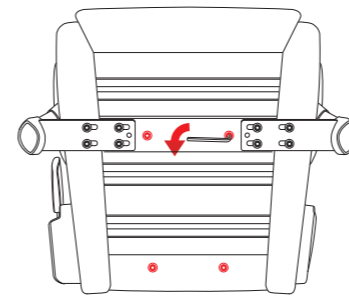


5 Attach the chair back to the seat by aligning the screw hole, inserting and tightening all 4 screws and washers (2 on each side).

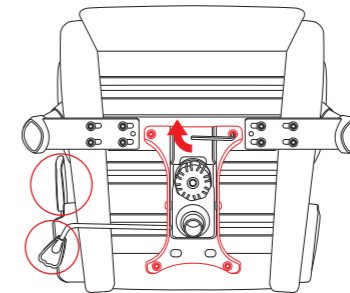
Installation Steps | Please wear the gloves before installing the chair.



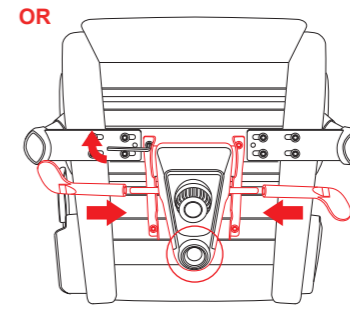
6 Attach the side covers of backrest and then tighten the screws. (See inner side of cover: "L"=Left "R"=Right)



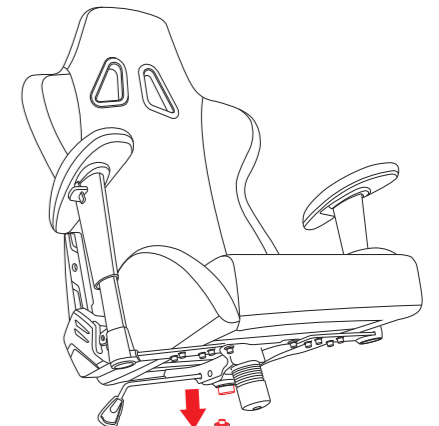
7 Put the chair upside down, then remove four pre-installed screws and washers.



8 Butterfly Mechanism: Attach the butterfly mechanism and tighten the screws. (Adjustable handles for chair height and backrest should be on the same side.)

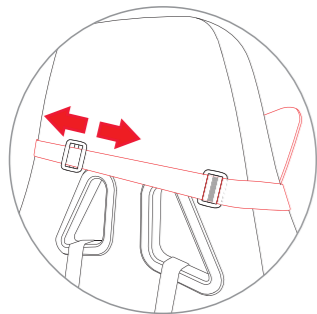


8 Seat Tilt Mechanism: Attach the seat tilt mechanism and tighten the screws. (The joint of gas lift in circle area is at the back.)



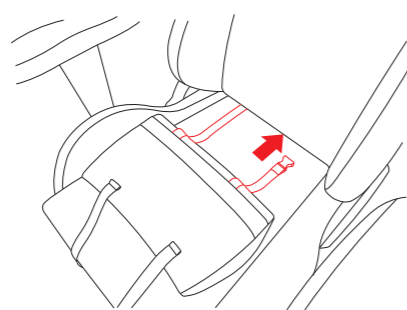
9 Connect the main body to the chair base. (We recommend two persons working together for this step, as the chair is quite heavy.)

Installation of Head Cushion and Lumbar Rest - if applicable, not all models apply.

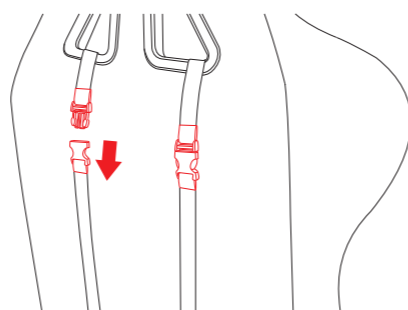


Pull the belt out directly and then put it on from the top of chair to the desired height.

Installation of Lumbar Rest



1 Take the belt from the side of lumbar rest, then go through the backrest and seat cushion.



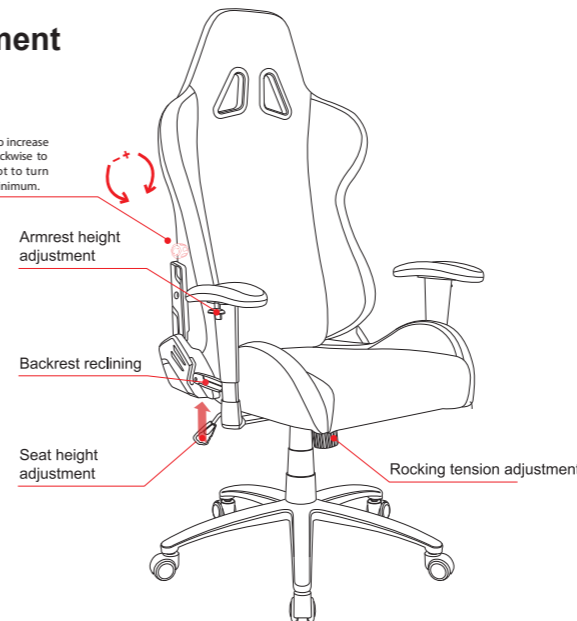
2 Take the belt from the other side, then fasten it after going through the back of chair from the buckle.

Adjustment Features

Product images are for illustration purpose only and may differ from the actual product.

Chair Adjustment

Lumbar Adjustment
Available in certain models.
Turn the knob clockwise to increase the lumbar support, anticlockwise to decrease. Do not attempt to turn past the maximum and minimum.

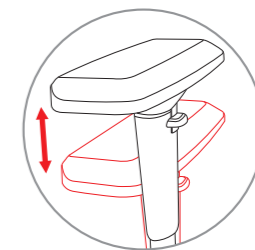


Tilt and lock lever is located on the opposite side of the chair. Twist lever down to lock at desired angle. Twist lever up and lean back to disengage the tilt lock.

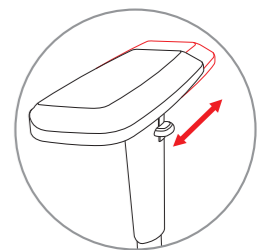
¹ Adjustable Lumbar Support is available only on the Vaporweave 2 models.

² Vaporweave 2 models without lumbar cushion as there is already lumbar support built-in.

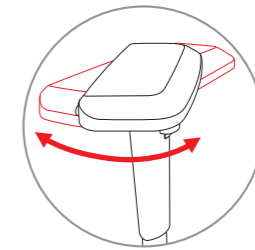
Armrest Adjustment



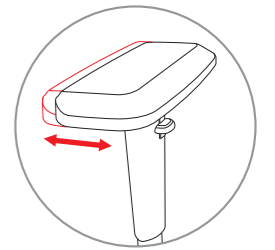
1 Height adjustment



2 Forward & Backward



3 Horizontal Angle adjustment



4 Left & Right adjustment

Note: There are three types of armrest: 1D, 3D, 4D. For particular features please refer to the actual product. 1D only includes Feature 1. 3D includes Feature 1, 2, 3. 4D includes Feature 1, 2, 3, 4.