

CLEARY MANUAL



TOOLS, NOT TOYS.

WELCOME!

Congratulations! You've got a brand new Cleary Bike! Before you get rolling, there are a few simple steps you need to take to ensure a safe and fun ride for your child.

First, register your bike on our website, **clearybikes.com**. Registration validates your warranty and allows us to keep you apprised of changes, news, and special deals.

You can reach us with your bike and riding questions, comments, or concerns via email at **knowledge@clearybikes.com**, or on the phone at **(415) 528-KIDS** or **(415) 528-5437**. We're always happy to hear from you!

Next, it's time to assemble and adjust the bike for your young rider. This manual has all the information you need. You can also go to our website, **clearybikes.com**, for video assembly instructions and tips.

If you purchased your bike from a dealer, who assembled and adjusted it, and gave you some tips, we still encourage you to read this manual through before taking your rider out for a spin.

CONTACT US

Cleary Bikes
448 Coloma Street
Sausalito, CA 94965

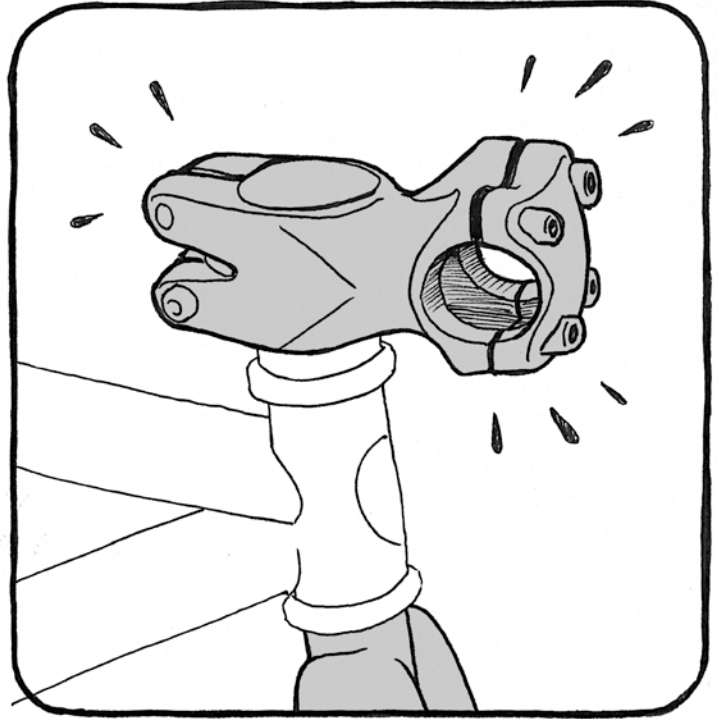
(415) 528-KIDS / (415) 528-5437

knowledge@clearybikes.com
clearybikes.com

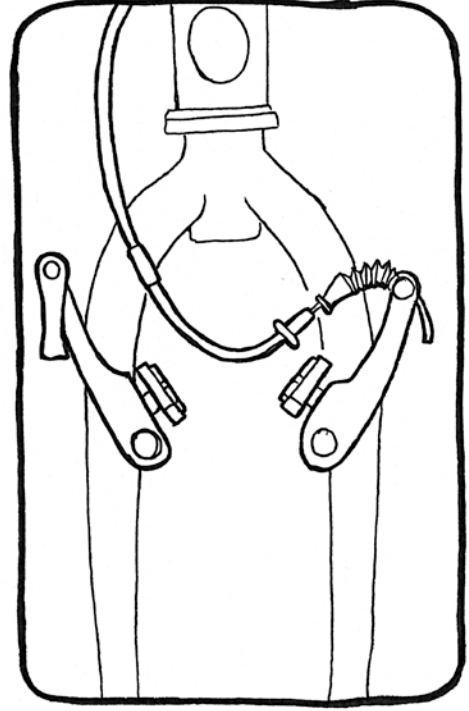
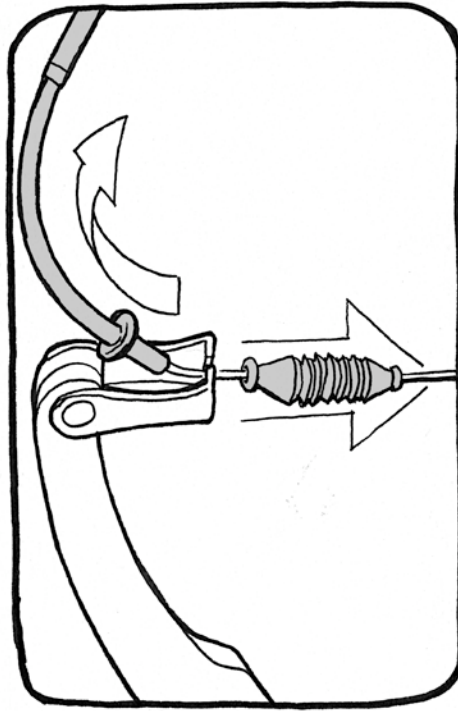
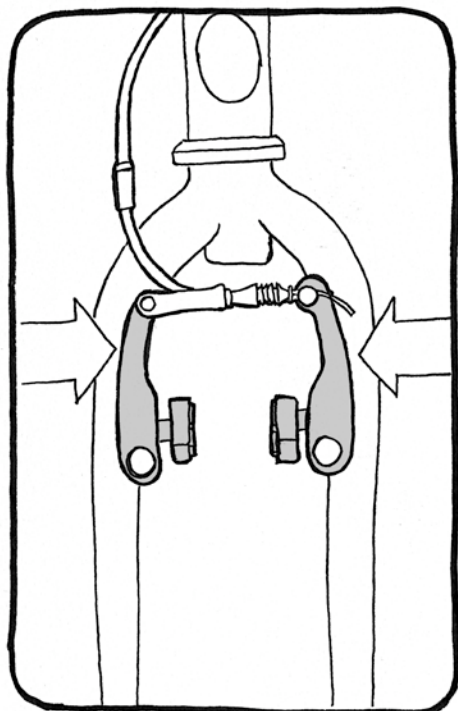
CONTENTS

Welcome	1
What You Get	2
What You'll Need	2
Assembly	3 - 10
Inflate The Tires	11
Before The Ride	11
Care and Maintenance	12 - 13
Warranty	13

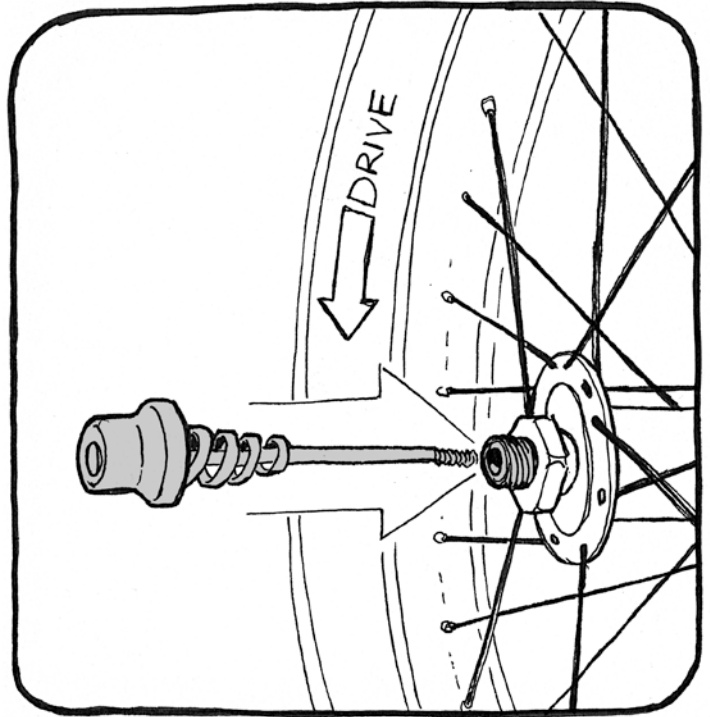
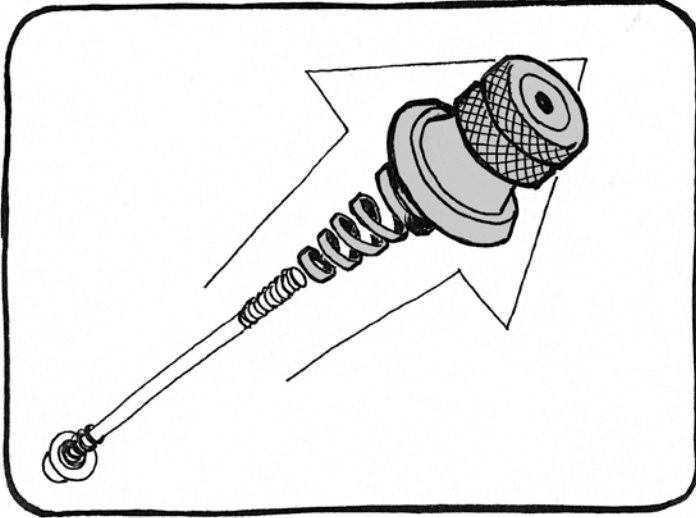
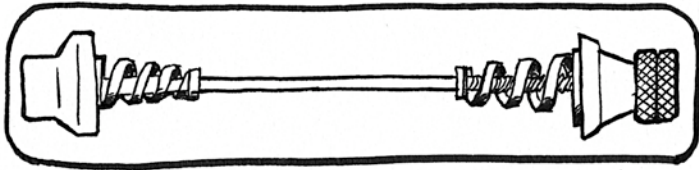
ROTATE STEM



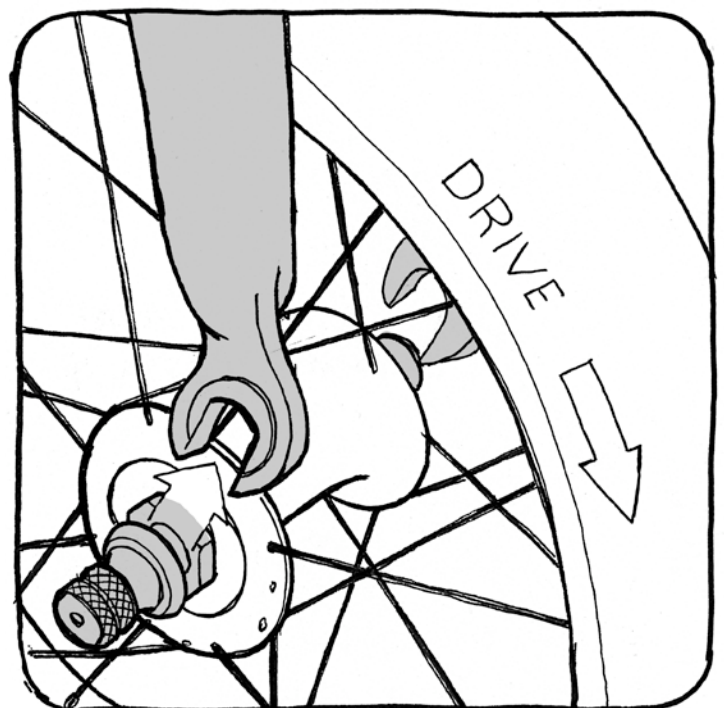
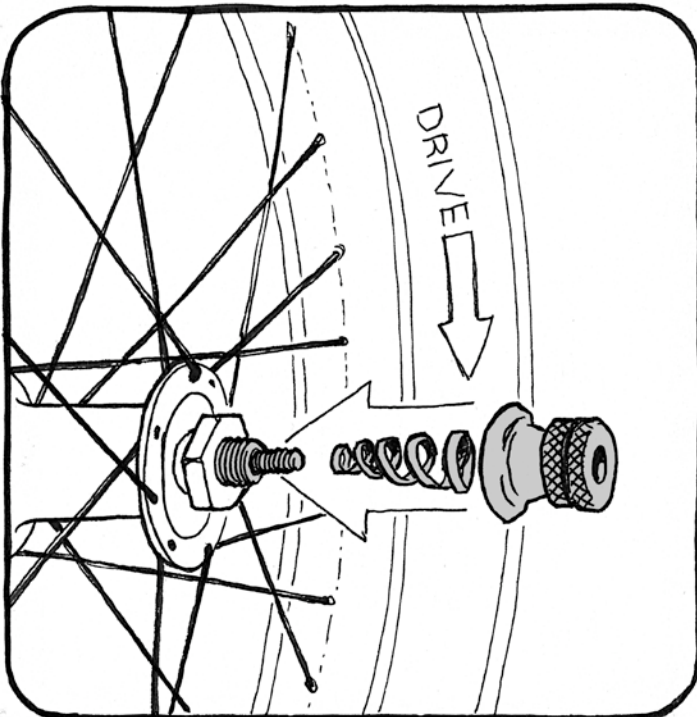
DISCONNECT FRONT BRAKES (SKIP THIS FOR MEERKAT)



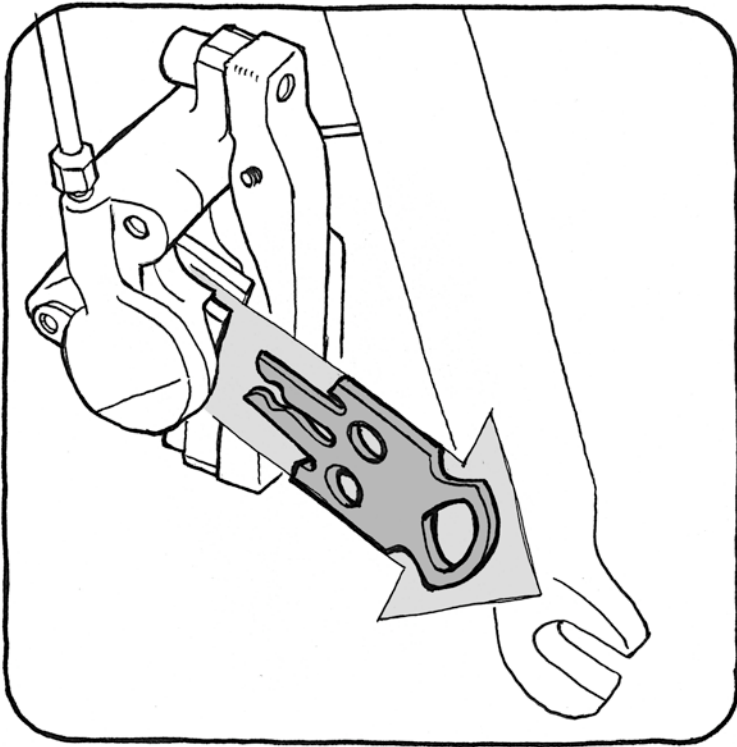
INSTALL HUB SKEWER



INSTALL FRONT WHEEL



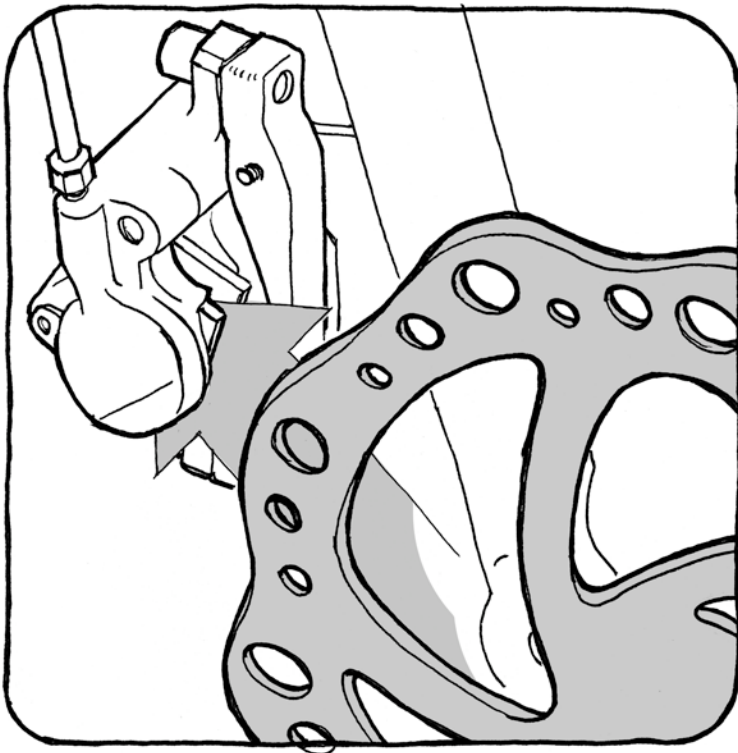
REMOVE SPACER (MEERKAT ONLY)



Spacer will come fully inserted into the front brake body between the pads to keep them from closing on each other. Remove right before inserting installing front wheel.

Don't squeeze the front brake handle as you don't want to engage the disc brakes without the rotor installed.

INSTALL FRONT ROTOR (MEERKAT ONLY)



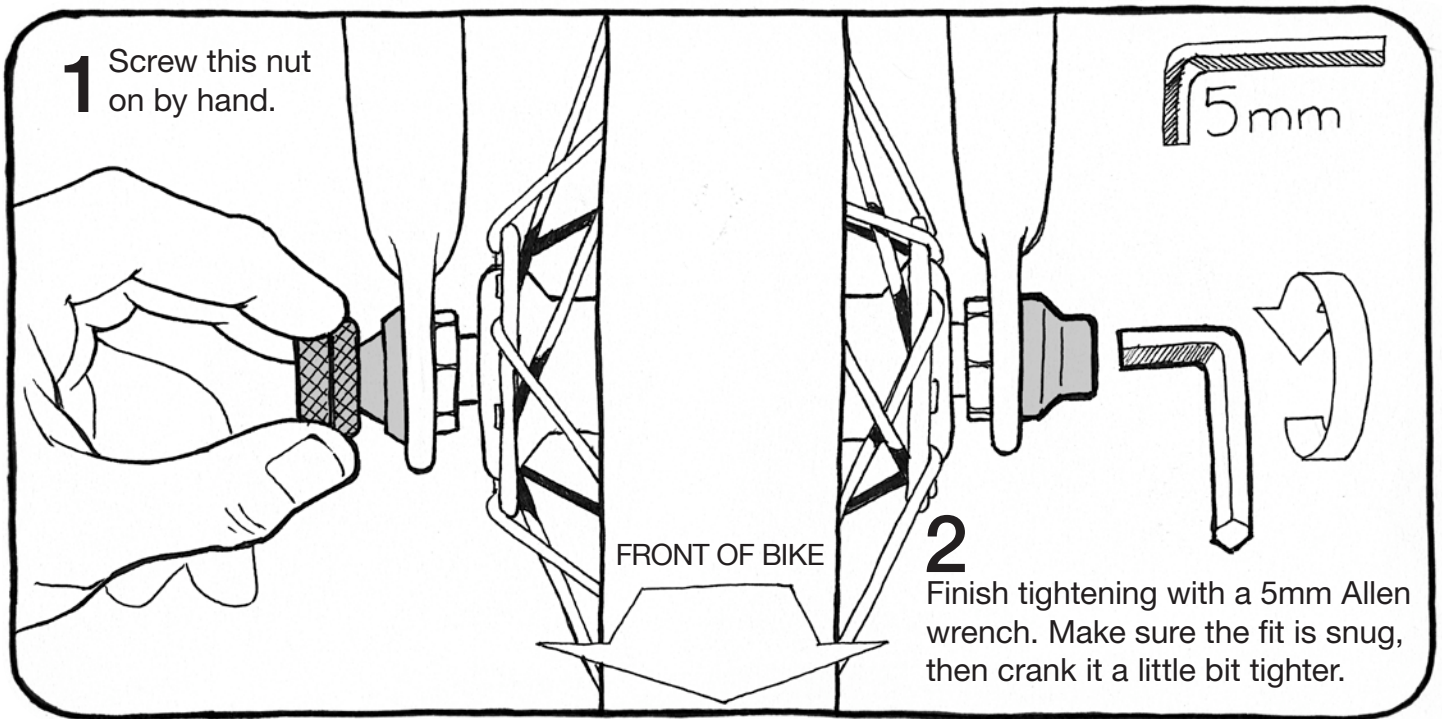
The ROTOR should slide inbtween the pads of the brake, easily.

If the pads are too close together, or have been closed, they can be pried apart by CAREFULLY inserting a flat head screwdriver between the pads.

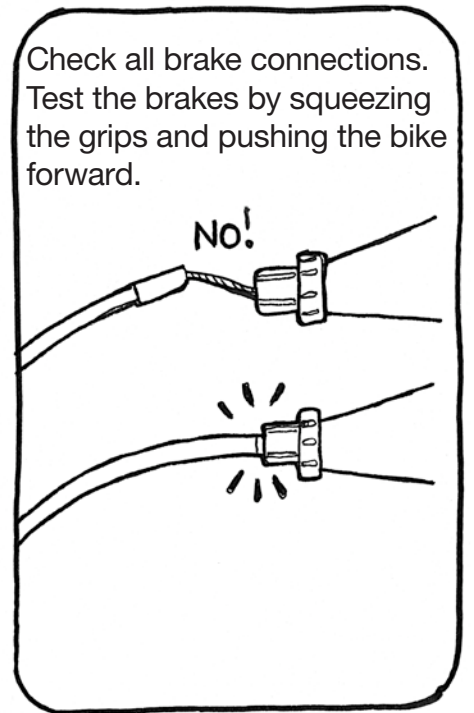
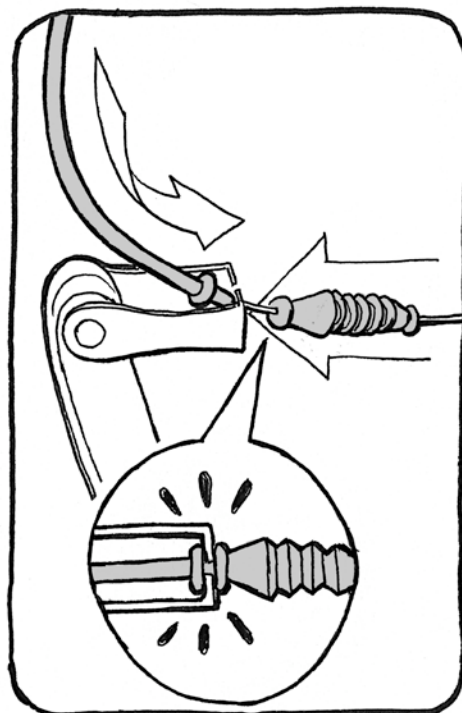
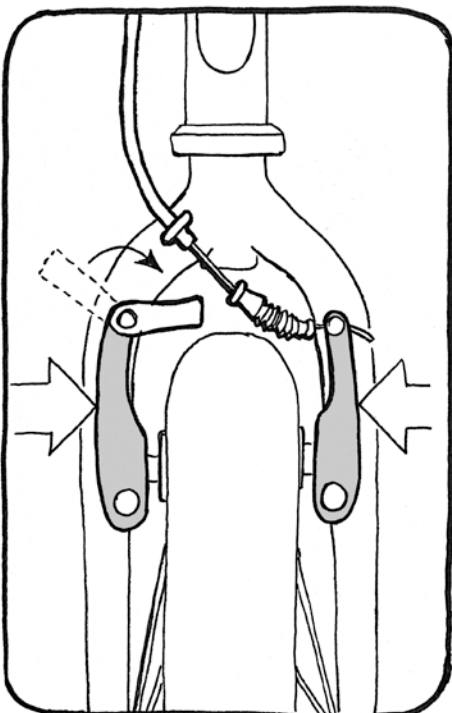
Avoid touching the ROTOR, as oil from your hand can affect the function of the brakes.

CAUTION: ROTOR CAN BE HOT WHEN IN USE

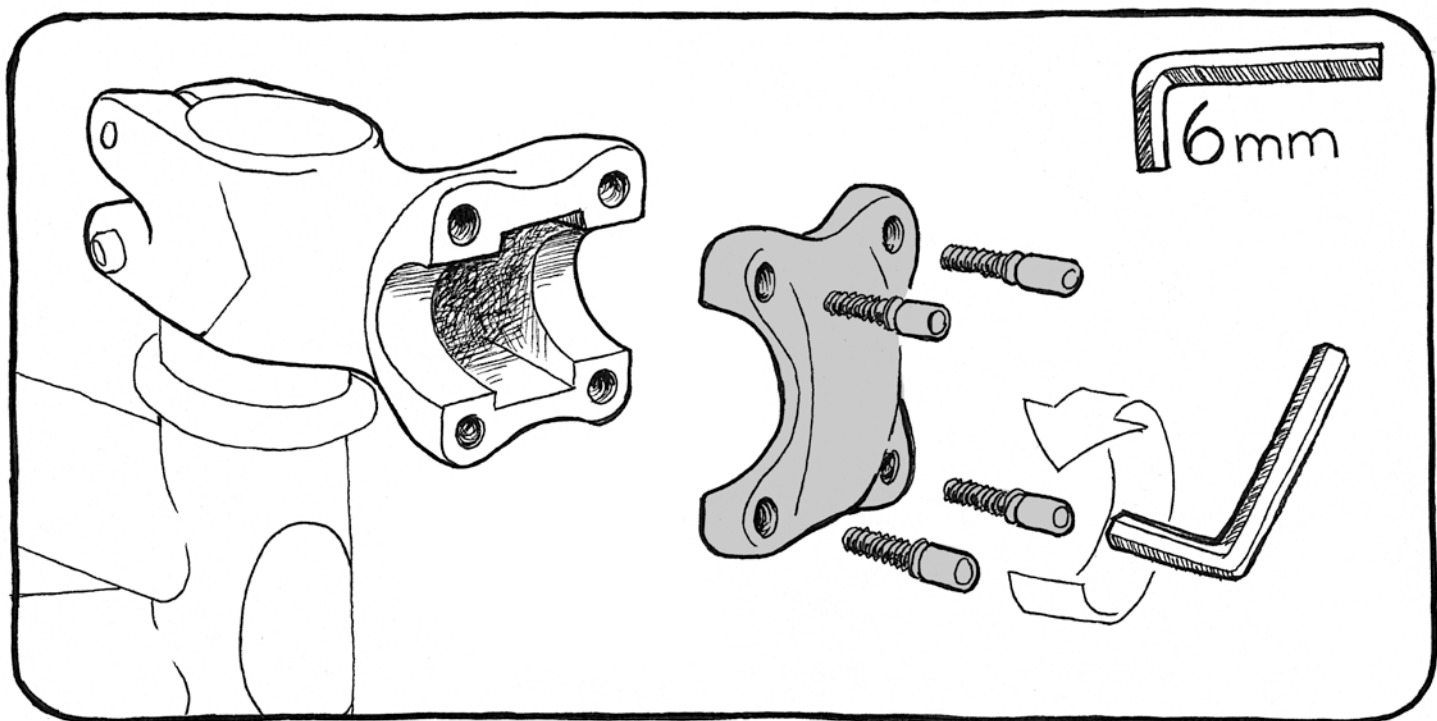
TIGHTEN FRONT WHEEL NUTS



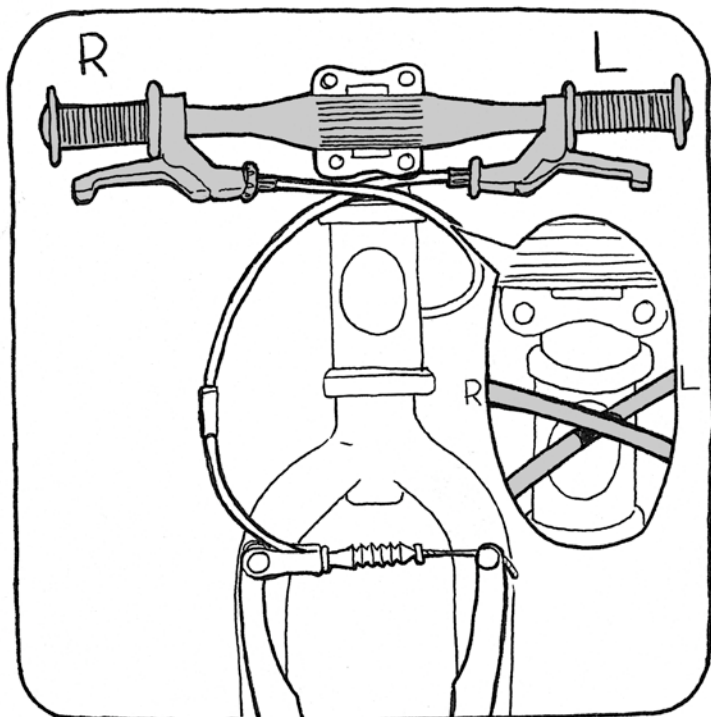
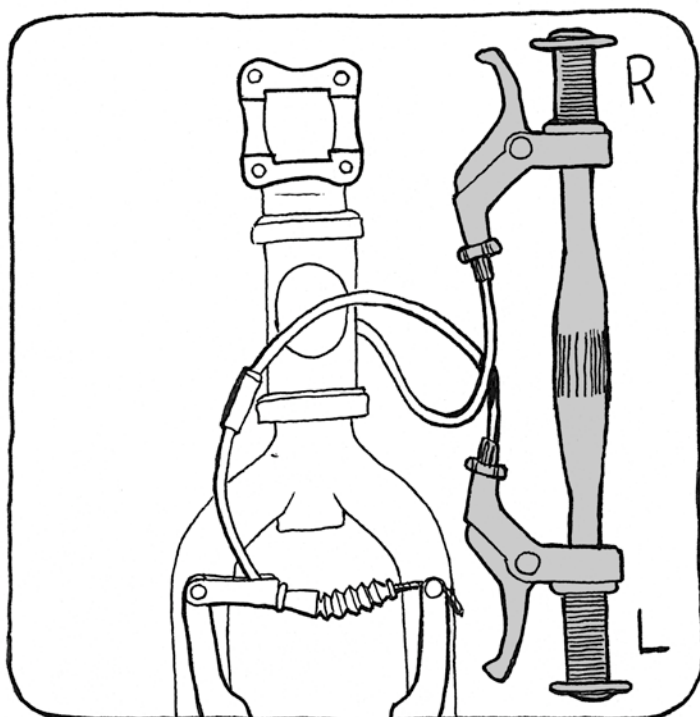
RECONNECT FRONT BRAKES (SKIP THIS FOR MEERKAT)



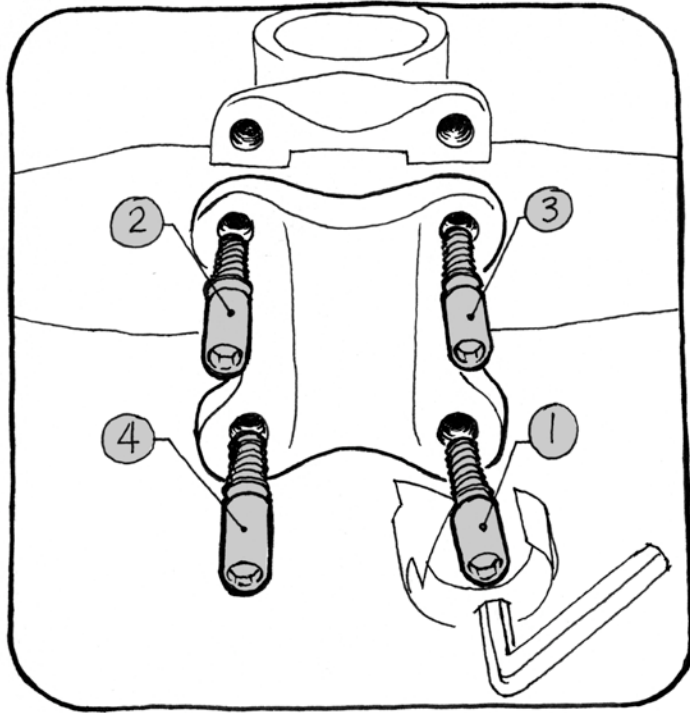
REMOVE HANDLEBAR CLAMP PLATE



POSITION HANDLEBAR



REPLACE HANDLEBAR CLAMP PLATE

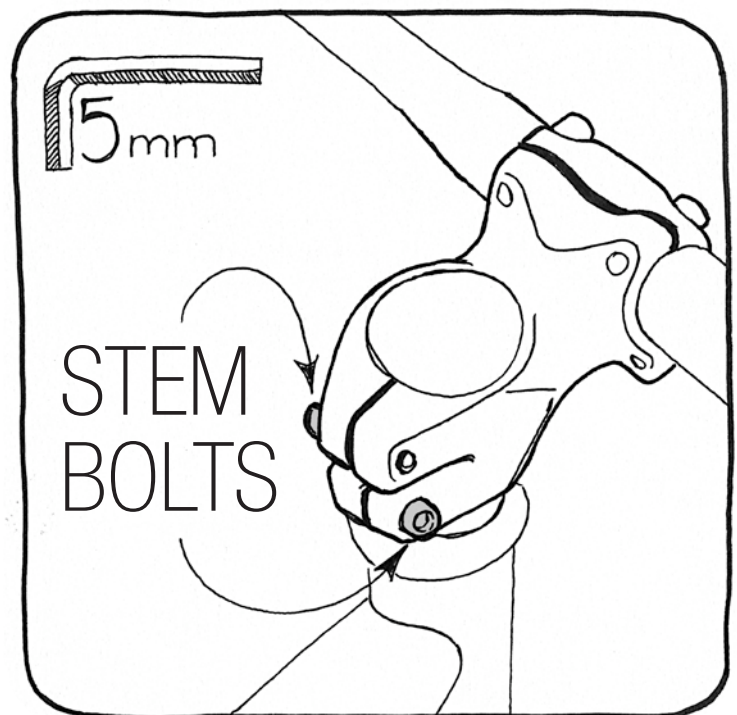


Working in an “x” pattern, tighten each of the bolts about 1/4 turn per pass to keep the tension even.

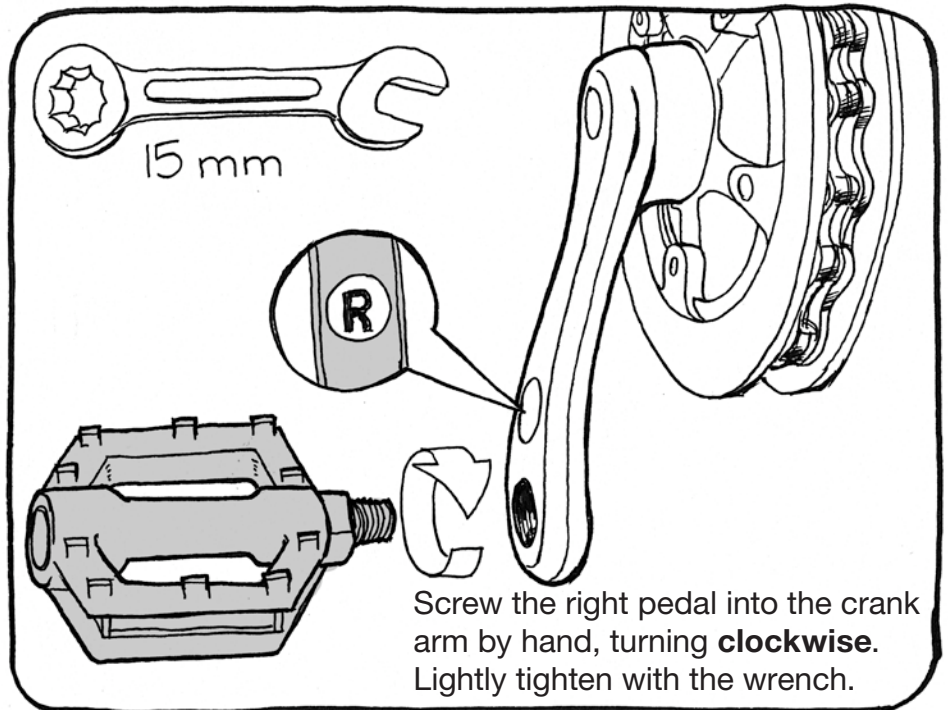
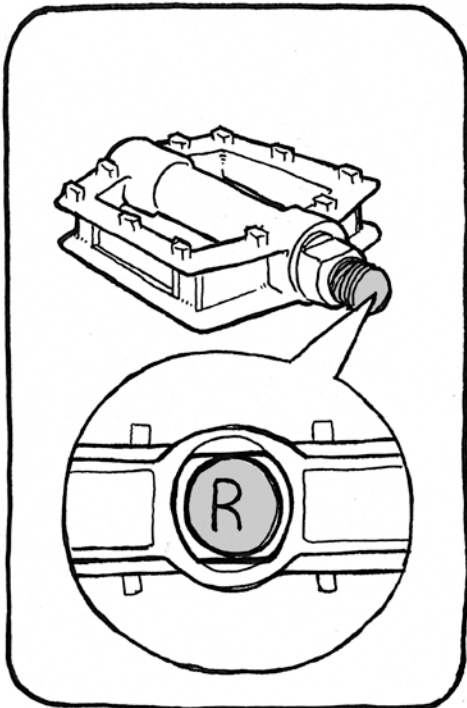
The gaps between the face plate and the base should be the same on the top and bottom of the handlebar.

ADJUST STEM ALIGNMENT

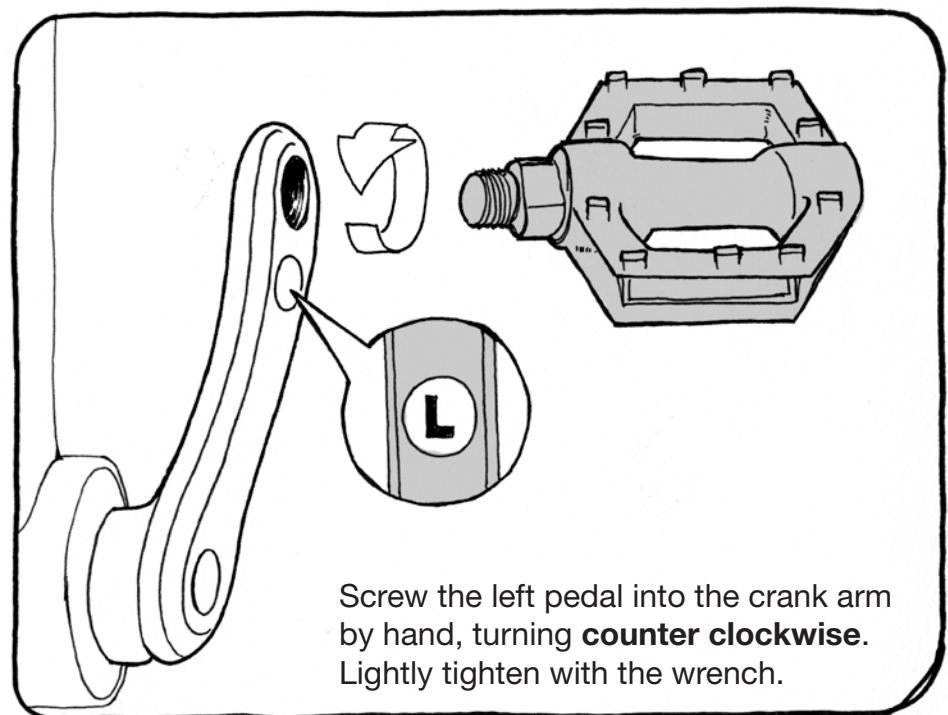
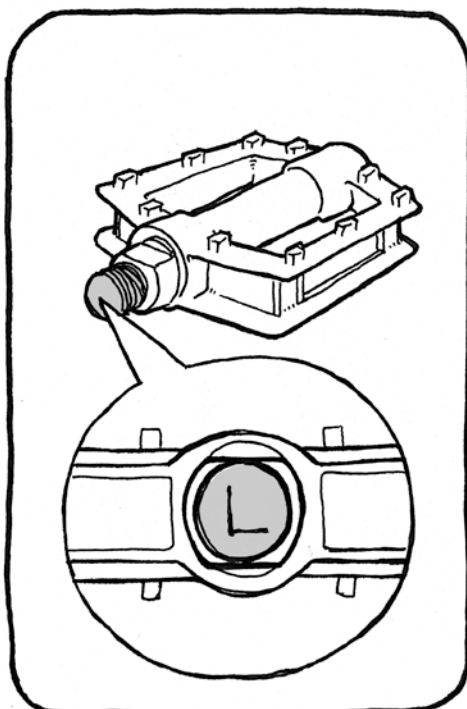
Make sure the handlebar is perpendicular to the front wheel. To correct the alignment, loosen the rear stem bolts enough to allow the handlebar to rotate independently. Move the handlebar into the correct position and firmly tighten the stem bolts.



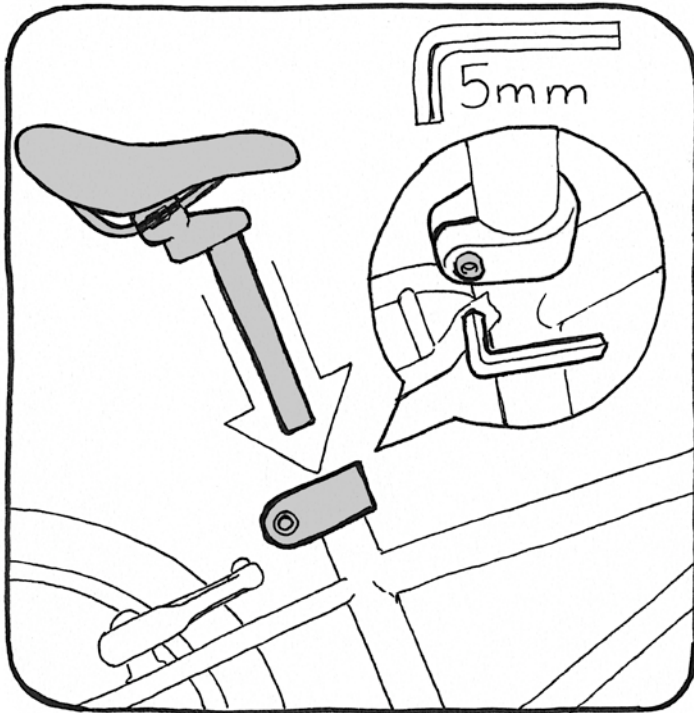
INSTALL RIGHT PEDAL



INSTALL LEFT PEDAL



INSTALL AND ADJUST SADDLE

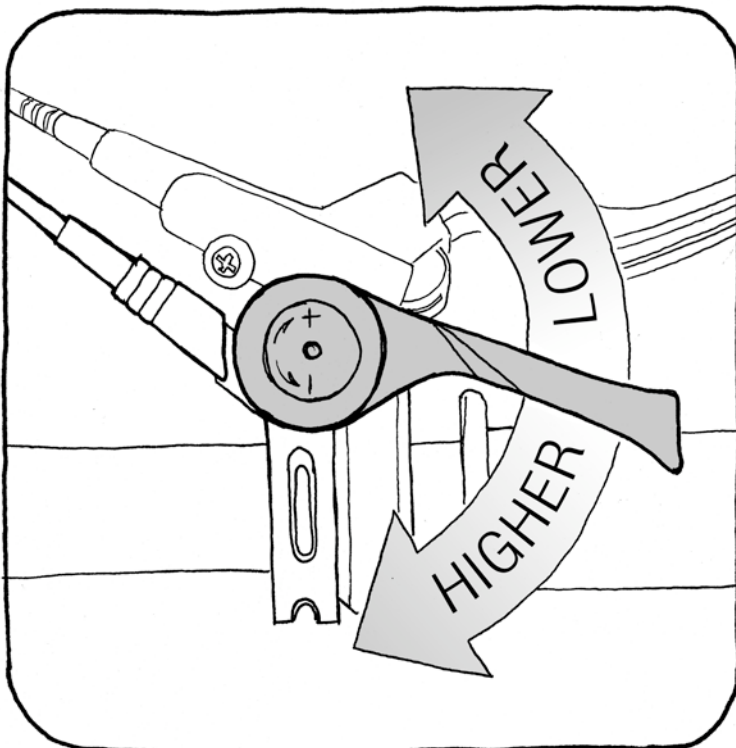


Loosen the seat post clamp bolt if necessary. Slide the seat post into the seat tube. Position the saddle so that it is approximately the same height as your child's hip and tighten the seat post clamp to secure.

Adjust the seat forward or back by loosening the 6 mm bolt underneath the saddle.

Your child should be able to sit on the saddle and reach the handlebar grips with slightly bent elbows.

THE SHIFTER (MEERKAT ONLY)



Thumb lever forward to shift to a lower gear.

Thumb lever back to shift to a higher gear.

The MEERKAT is shipped with the gearing fully adjusted. Take bike to a bicycle dealer if there is a problem with the indexing.

INFLATE THE TIRES

Remove the dust cap from the tire valve and check the pressure using a pressure gauge. If you don't have a pressure gauge, squeeze the tires. They should feel very firm, but give a little when strong pressure is applied. Fill the tires to the recommended pressure using a bicycle pump with a "Schrad-er" valve. Pressure recommendations can be found on the tire sidewall and also below.

12" Starfish - 35 to 40 PSI

12" Gecko - 35-40 PSI

16" Hedgehog - 40-65 PSI

20" Owl - 40-65 PSI

BEFORE THE RIDE

It's important to make sure handlebar and saddle positioning are correct and that the brakes are working before heading out for a ride.

First, do a visual check. The rider should be able to sit on the saddle with feet touching the ground and reach the handlebars with slightly bent elbows.

Next, ask the rider to check the brakes. All Cleary bikes have front and rear hand brakes. The Gecko also has pedal (coaster) brakes. Riders should be able to grasp the hand brakes easily while seated on the bike. Ask the rider to squeeze and release the brakes, practicing the "stop" and "go" positions.

While state laws vary, we strongly believe that all riders should wear properly fitted helmets every time they ride. For new riders, we recommend practicing on a soft surface (like a grassy field). Having a soft landing pad will help beginning riders avoid injury and gain confidence while they learn.

CARE AND MAINTENANCE

Periodic checks and simple maintenance will keep your sturdy Cleary Bike in tip-top shape.

CLEANING

Keep your bike gleaming by washing it with a sponge, water, and degreaser. Dry it with a towel or soft cloth. Avoid using soap!

LUBRICATION

Check the chain periodically to see that it is properly lubricated. If it appears dry, or if it becomes clogged with debris, wash the chain using a degreaser. To relubricate, apply bike lubricant to the chain (not too much) as you crank the peddles with your hand. If possible, let the bike sit overnight, then rub the chain lightly to remove excess lubricant. Proper lubrication will prevent corrosion and ensure that the drive train operates smoothly.

To lubricate the brake cables disconnect the brakes (see page 3). Moisten a rag with bike lubricant and run it over the cables. Reconnect the brakes and test them (see page 5).

NUTS, BOLTS, AND FASTENERS

It's a good idea to do a periodic visual check of all the nuts, bolts and fasteners on the bike to make sure that none of them are loose, missing, or damaged.

TIRE AND WHEEL CONDITION AND PRESSURE

Check the tire pressure regularly to make sure the tires are inflated to the recommended PSI (printed on tire sidewall and on page 9). Correct tire pressure will extend the life of the tires, and make for a safer and more comfortable ride. Inspect the tires periodically and replace any tires that show cracks, cuts, uneven wear, or bald spots.

If you find the wheel rims are not running "true," or evenly through the brake pads, have them inspected and adjusted by a qualified bicycle mechanic. You can also contact us for assistance.

BRAKES

Verifying proper brake function can help avoid accidents and injury. First do a visual inspection to make sure the cables are seated correctly and the levers appear to be in good working order. Squeeze the brake levers. The brake pads should contact the wheel rim before the brake lever touches the handle grip. If they don't, use the cable adjuster to shorten the cable and then re-test. The brake pads should strike the wheels flatly and evenly, hitting on the alloy rim (not the tire). If the pads are not connecting properly have the bike serviced by a qualified bicycle mechanic.

CABLES

Inspect the cables periodically and have a qualified bicycle mechanic replace any that show signs of corrosion, fraying, or rust.

BEARINGS

Cleary Bikes have bearings located at the hubs, crank, headsets, and pedals. Bearings in need of repair will make loud or uneven noises. Maintenance and repair to the bearings should be performed by a qualified bicycle mechanic. Contact us if you have any questions or concerns about your bike's bearings.

REFLECTORS

All Cleary Bikes are equipped with reflectors; a white front reflector, a red rear reflector, two white wheel reflectors, and four orange pedal reflectors. Reflectors are legally required and important for safety. To function properly they must remain clean, in good condition, and securely fitted at all times.

SAFETY

Always wear a helmet.

In wet weather, take precautions. Caution your rider to bike more slowly and allow more time for braking.

Avoid riding at night. If necessary, wear bright clothes, use a full set of CPSC compatible reflectors and a lighting set that includes a white front and red rear lamp.

WARRANTY

Cleary Bikes stands behind our bicycles for as long as you ride it.
The original purchaser has a lifetime warranty against any and all
manufacturer's defects on the bike.

Ride hard! We'll be here if you need us.

STARFISH BIKE OWNER WARNING!

CHOKING HAZARD - Small Parts
Not for children under 3 years.
This bike is intended to be assembled by an adult.



448 Coloma Street Sausalito, CA 94965 | 415-528-KIDS(5437)
www.clearybikes.com